

## bourdon tube pressure gauges stainless steel construction DS 4" (100mm)



PED 2014/68/EU



ATEX 2014/34/EU



They are designed for industrial use. They are suitable for tough working conditions and for aggressive fluids. An exclusive Laser calibration procedure features each instrument and allows a very precise accuracy. Filling the case with dampening liquid prevents any condensation and the entrance of corrosive atmosphere increasing its resistance to vibrations and to pulsating pressures.

### 1.44.2 - Fillable Model

**Design:** EN 837-1.

**Safety designation:** S1 as per EN 837-2.

**Ranges:** from 0...15 to 0...6000 psi (from 0...1 to 0...400 bar or equivalent units).

**Accuracy class:** 1,6 as per EN 837-1.

**Ambient temperature:** -13...+149°F (-25...+65 °C).

**Process fluid temperature:** -13...+212 °F (-25...+100 °C).

**Thermal drift:** max ±0,4 %/10 °C of scale range (starting from +68°F- 20°C).

**Working pressure:**

75% of FSV for static pressure.

66% of FSV for pulsating pressure.

**Over pressure limit (15 min max):**

25% of FSV for pressure ranges ≤ 1500 psi (100 bar);

15% of FSV for pressure ranges over 1500 psi (100 bar).

**Protection degree:** IP 67 as per IEC 529.

**Socket material:** AISI 316L st.st.

**Elastic element:** AISI 316L st.st.

**Case:** stainless steel

**Ring:** stainless stees, crimped

**Window:** tempered glass.

**Movement:** copper and stainless steel.

**Dial:** aluminium, white with black markings, or with double red and black markings.

**Pointer:** not adjustable, aluminium,black.

### 1.44.3 - Filled Model

**Damping liquid:** glycerine 98%, silicon oil.

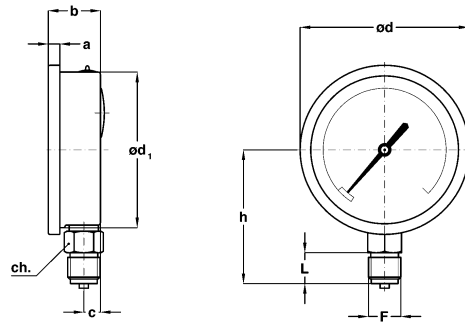
**Ambient temperature:**

+32...+149 °F (0...+65 °C) with glycerine filling;

-40...+149 °F (-40...+65 °C) with silicon oil filling.

**Process fluid temperature:** max +149°F (+65 °C).

**Other features:** as fillable model.



**A - LOWER CONNECTION**

F	a	b	c	od	od <sub>1</sub>	h	ch	L	Weight
41M - G 1/2 A	0.29" (7,5)	1.34" (34)	0.43" (11)	4.33" (110)	3.97" (101)	3.43" (87)	0.87" (22)	0.78" (20)	0.88 lbs (1) (0,4 kg)
43M - 1/2-14 NPT									

dimensions : inches (mm)

(1) Add 0.5 lbs (0,23 kg) when filled

**OPTIONS**

Model	fillable	filled
C - Back flange	◆	◆
2M1 - ATEX II 2G c IIA/B version (1)	≤ 6 bar	
2N1 - ATEX II 2GD c IIA/B version (1)	≥ 10 bar	◆
ARM -Stainless steel bayonet lock ring	◆	◆
L02 - Adjustable pointer (2)	◆	◆
K10 - Accuracy class 1 as per EN 837-1.	1...400 bar	4...40 bar
M02 - Stainless steel movement	◆	◆
P01 - Suitable for filling with silicone	◆	
S10 - Silicone filling		◆
TPC - Polycarbonate window	◆	◆
V11 - St.st. restrictor 0,7 mm	◆	◆

(1) To be ordered with polycarbonate window only. Suitable for installation with IIA and IIB gas types only. See the ATEX pressure gauges data-sheet for technical details

(2) To be order with bayonet lock ring

**“HOW TO ORDER” SEQUENCE**

Section / Model / Case / Mounting / Diameter / Range / Process connection / Options

1 44 2 A E 41M C  
 3 43M 2M1...V11