

## industrial glass tube thermometer brass series



Instruments designed for use in conventional power stations, refrigeration, heating, ventilation and air-conditioning plants.

### 6.V6 - Standard Model

**Accuracy:**  $\pm 1,0\%$  of full scale value.

**Working pressure:** 350 psi max (25 bar), without thermowell.

**Overtemperature:** not suitable.

**Sensing element:** colored liquid, mercury.

**Graduation:** engraved on internal wall of case.

**Tube:** glass, prismatic on mercury types.

**Bulb:**  $\varnothing 0.43''$  (11 mm).

**Case:** aluminium, anodized brass.

**Process connection and bulb protection:**

brass for  $T_e \leq 752^\circ F$  (400 °C).

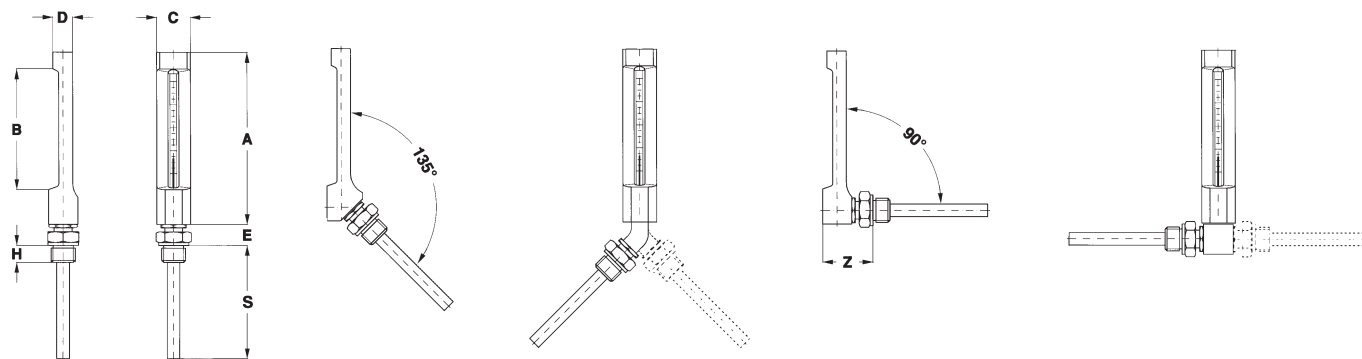
**Standard bulb length:** 1.57, 1.89, 2.48, 3.15, 3.93, 6.30, 7.87, 11.81"  
(40, 48, 63, 80, 100, 160, 200, 300 mm).

| RANGES    | Scale graduation (°C) |                  |                  |
|-----------|-----------------------|------------------|------------------|
|           | ND 4"<br>(110mm)      | ND 6"<br>(150mm) | ND 8"<br>(200mm) |
| -60...+40 |                       | 2                |                  |
| -50...+50 |                       |                  | 1                |
| -40...+40 | 1                     | 1                |                  |
| -30...+50 |                       | 1                | 1                |
| -10...+50 |                       | 1                | 1                |
| 0...+50   | 1                     |                  |                  |
| 0...+100  | 2                     | 2                | 1                |
| 0...+120  | 2                     | 2                | 1                |
| 0...+160  | 2                     | 2                | 2                |
| 0...+200  | 5                     | 5                | 2                |
| 0...+300  |                       | 5                | 5                |
| 0...+400  |                       | 5                | 5                |

### NOTE

In case of breakage just change the glass tube provided with engraved scale. This operation is possible thanks to the perfect interchangeability of tubes allowing a perfect alignment between the scale engraved on the tube and the graduations on the case.

**MOUNTING**



Cod. 1

Cod. 2  
(ND 6" - 150mm  
not available)

Cod. F

Cod. G

Cod. 4

Cod. D

Cod. E

| ND                      | F  | A             | B             | C            | D            | E            | Z            | H            | S                          | Weight lbs. (kg)           |
|-------------------------|--|---------------|---------------|--------------|--------------|--------------|--------------|--------------|----------------------------|----------------------------|
| <b>E</b><br>4" (110 mm) | <b>31M</b> - G 3/8 A                               | 4.33<br>(110) | 2.79<br>(70)  | 1.38<br>(35) | 0.79<br>(20) | 0.79<br>(20) | 1.77<br>(45) | 0.59<br>(15) | 1.57...11.81<br>(40...300) | 1.32...2.42<br>(0,6...1,1) |
| <b>G</b><br>6" (150 mm) | <b>41M</b> - G 1/2 A<br><b>51M</b> - G 3/4 A       | 5.91<br>(150) | 3.94<br>(100) | 1.38<br>(35) | 0.79<br>(20) | 0.79<br>(20) | 1.77<br>(45) | 0.59<br>(15) | 1.57...11.81<br>(40...300) | 1.54...2.64<br>(0,7...1,2) |
| <b>H</b><br>8" (200 mm) | <b>43M</b> - 1/2-14 NPT<br><b>53M</b> - 3/4-14 NPT | 7.87<br>(200) | 5.91<br>(150) | 1.38<br>(35) | 0.79<br>(20) | 0.79<br>(20) | 1.77<br>(45) | 0.59<br>(15) | 1.57...11.81<br>(40...300) | 1.76...2.86<br>(0,8...1,3) |

dimensions : inches (mm)

**FILLING LIQUIDS**

| °C        | Colored liquid | Mercury  |
|-----------|----------------|----------|
|           | <b>A</b>       | <b>B</b> |
| -60...+40 | v              |          |
| -50...+50 | v              |          |
| -40...+40 | v              |          |
| -30...+50 | v              |          |
| -10...+50 | v              |          |
| 0...+50   | v              |          |
| 0...+100  | v              |          |
| 0...+120  | v              |          |
| 0...+160  | v              |          |
| 0...+200  | v              |          |
| 0...+300  |                | v        |
| 0...+400  |                | v        |

**HOW TO ORDER**

Section / Model /Mounting / Connection type / Diameter / Range / Process connection / Bulb type and length

6 V6 1 3 E 31M A  
2 G 41M B  
F H 51M  
G 43M  
4 53M  
D  
E

