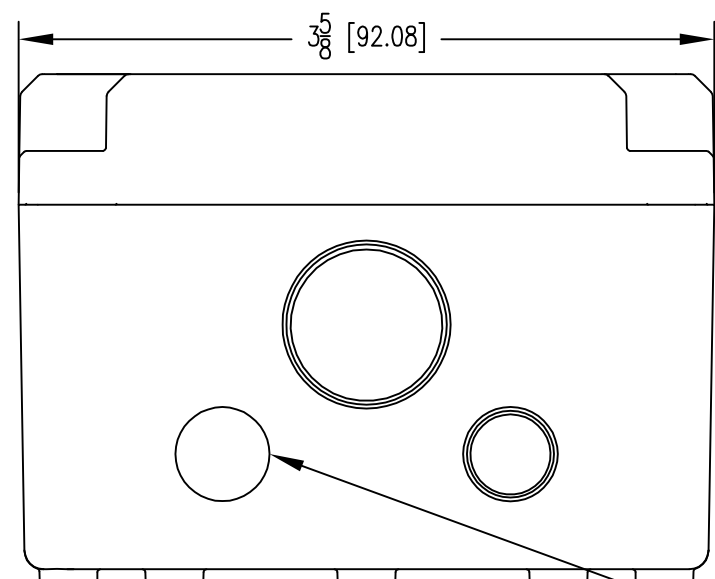


CABLE GLAND INSTALLATION LOCATION  
(FOR REFERENCE ONLY)



1X Ø.490 OPEN HOLE  
FOR CABLE GLAND

Ⓢ = CRITICAL DIMENSION  
STANDARD TOLERANCES UNLESS NOTED:  
ALL DECIMAL DIMENSIONS ±  
ALL ANGLES ±

SCALE 1:1

		DATE	NAME	MATERIAL
		DWN BY	SERIES TSW WEATHERPROOF DIGITAL TEMP SWITCH ARTWORK (FOR REFERENCE ONLY)	FINISH
		CHKD		<b>DWYER INSTRUMENTS, INC.</b> MICHIGAN CITY, INDIANA 46360 U.S.A.
		APPD		
NO.	CHANGES	BY/DATE		ACAD2002

NOTICE: This drawing and the principles and elements of design embodied therein are the exclusive property of DWYER INSTRUMENTS, INC. and are not to be communicated, disclosed, reproduced or used except as previously authorized in writing by such corporation and must not be submitted to outside parties for examination without the written consent of said corporation.

FR. NO. R7-700988-00