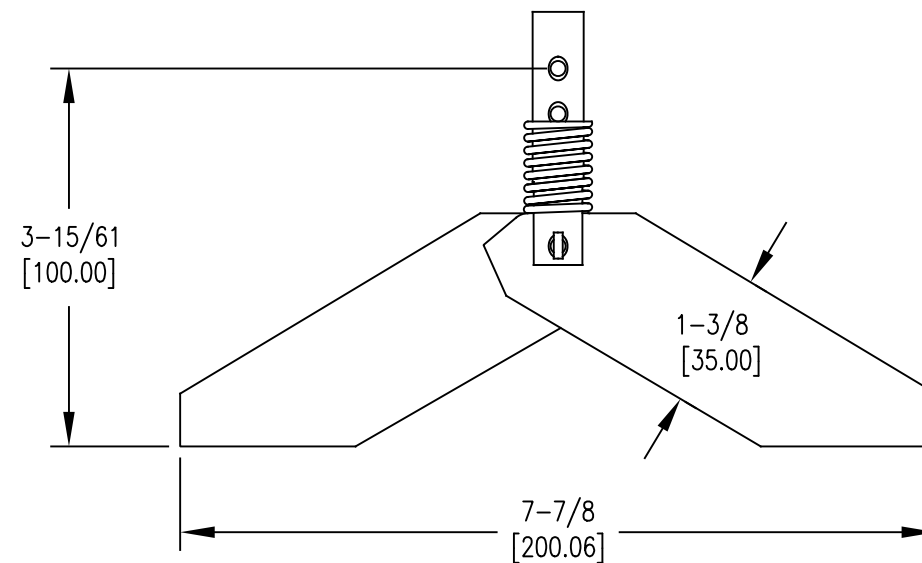
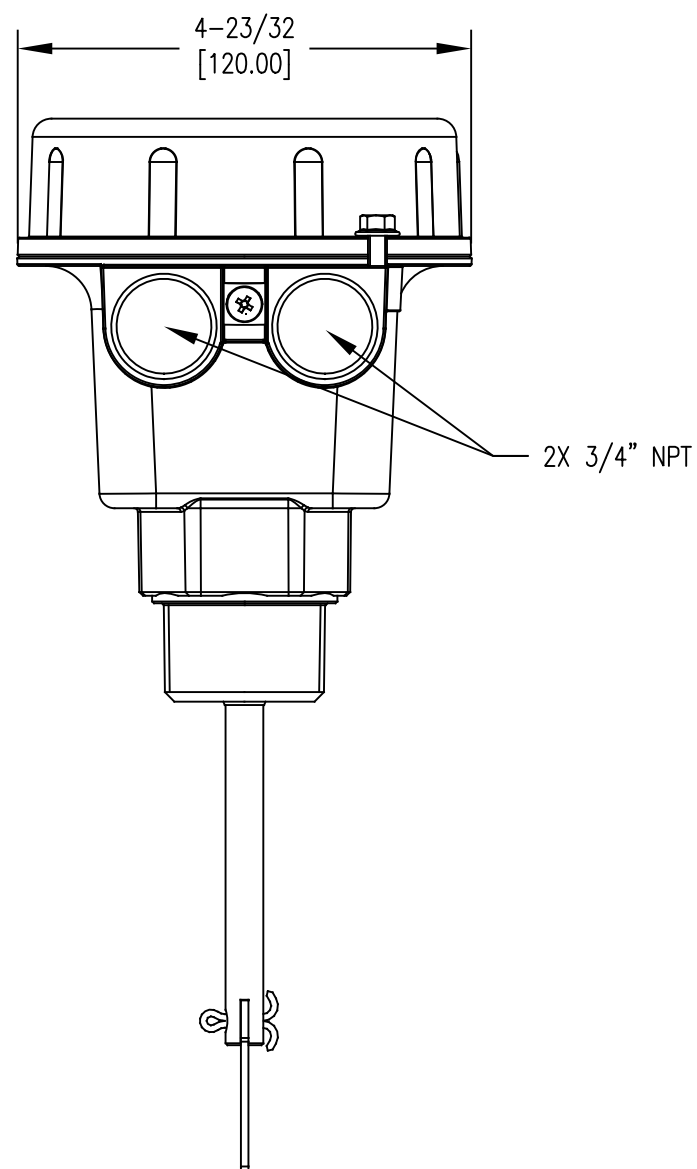
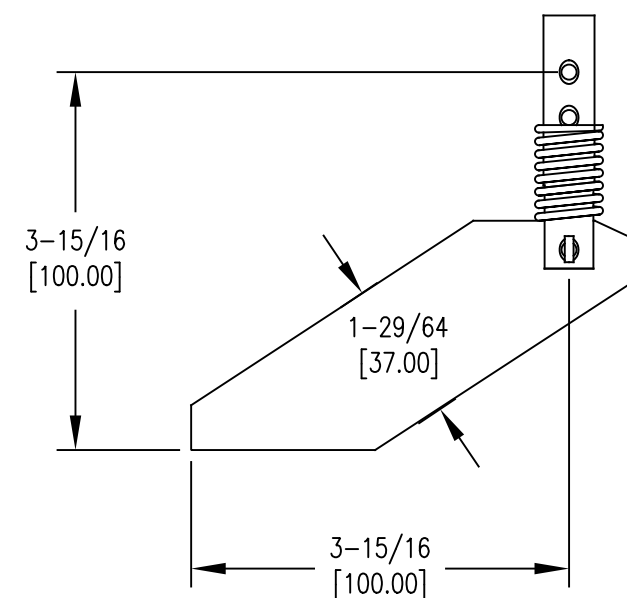


PLS2-E-1-X



PLS2-PL2



PLS2-PL1

Ⓢ = CRITICAL DIMENSION  
 STANDARD TOLERANCES UNLESS NOTED:  
 ALL DECIMAL DIMENSIONS ± .005  
 ALL ANGLES ± 1°

SCALE 1:2

			DATE 05-18-20	NAME BULLETIN ARTWORK PLS2 PADDLE LEVEL SWITCH (FOR REFERENCE ONLY)	MATERIAL
			DWN BY		FINISH
			CHKD		<b>DWYER INSTRUMENTS, INC.</b> MICHIGAN CITY, INDIANA 46360 U.S.A.
0	INITIAL RELEASE ND-007052		APPD		
NO.	CHANGES	BY/DATE			
NOTICE: This drawing and the principles and elements of design embodied therein are the exclusive property of DWYER INSTRUMENTS, INC. and are not to be communicated, disclosed, reproduced or used except as previously authorized in writing by such corporation and must not be submitted to outside parties for examination without the written consent of said corporation.					ACAD2002 3

FR. NO. 701453-00