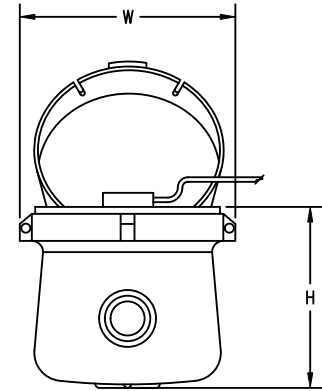
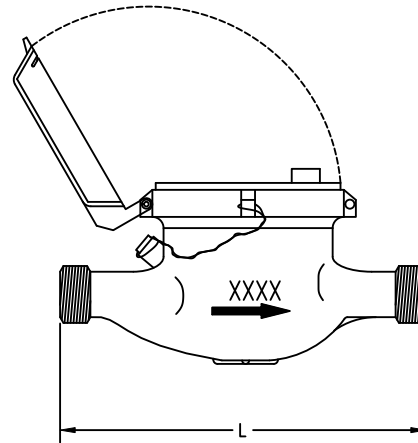
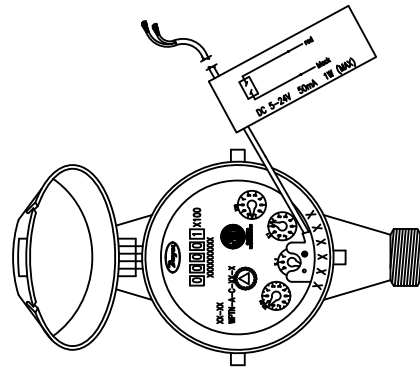


SPUD SIZE (BSPP)	COUPLING SIZE (NPT)	L	W	H	WEIGHT
5/8"	1/2"	6-1/2" [165mm]	3-23/32" [94mm]	4-15/64" [107.5mm]	1.55 LBS [0.7 KG]
5/8"	3/4"	7-1/2" [190mm]	3-23/32" [94mm]	4-15/64" [107.5mm]	1.77 LBS [0.8 KG]
3/4"	1"	10-1/4" [260mm]	3-55/64" [98mm]	4-5/8" [117.5mm]	2.43 LBS [1.1 KG]
1"	1"	10-1/4" [260mm]	3-55/64" [98mm]	4-5/8" [117.5mm]	2.43 LBS [1.1 KG]
1-1/2"	1-1/2"	11-13/16" [300mm]	4-13/16" [122mm]	5-45/64" [141.5mm]	4.41 LBS [2 KG]



Ⓢ = CRITICAL DIMENSION
 STANDARD TOLERANCES UNLESS NOTED:
 ALL DECIMAL DIMENSIONS ± .005
 ALL ANGLES ± 1°

			DATE 8-03-20	NAME ARTWORK SERIES WPTN DIMENSIONS AND SIZE CHART (FOR REFERENCE ONLY)	MATERIAL
			DWN BY DPR		FINISH
			CHKD		DWYER INSTRUMENTS, INC. MICHIGAN CITY, INDIANA 46360 U.S.A.
			APPD		
NO.	CHANGES	BY/DATE		ACAD2002	FR. NO. 701457-01

NOTICE: This drawing and the principles and elements of design embodied therein are the exclusive property of DWYER INSTRUMENTS, INC. and are not to be communicated, disclosed, reproduced or used except as previously authorized in writing by such corporation and must not be submitted to outside parties for examination without the written consent of said corporation.