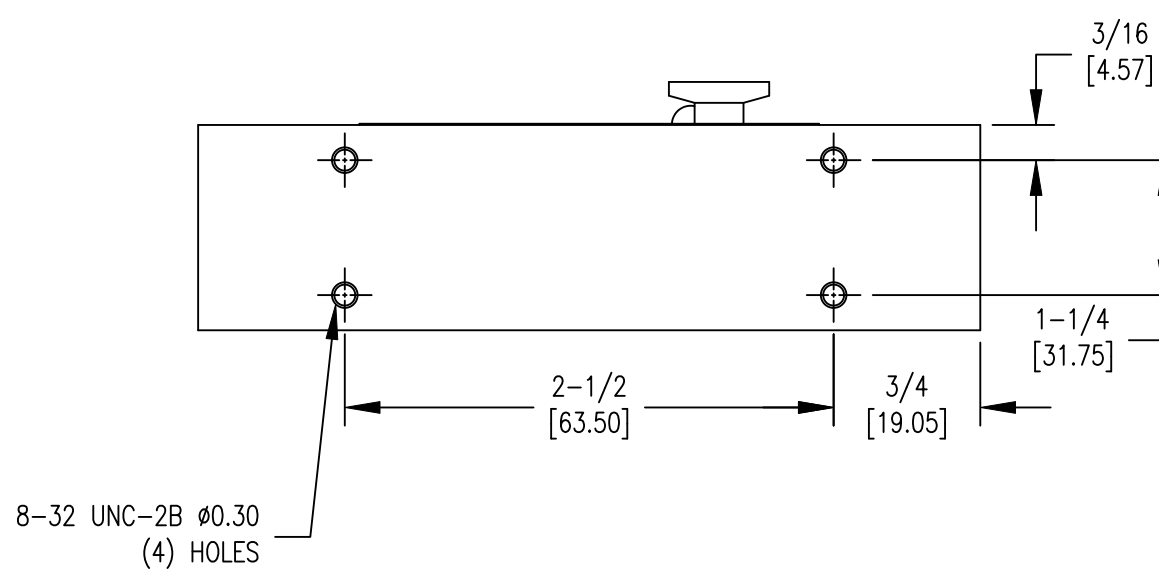
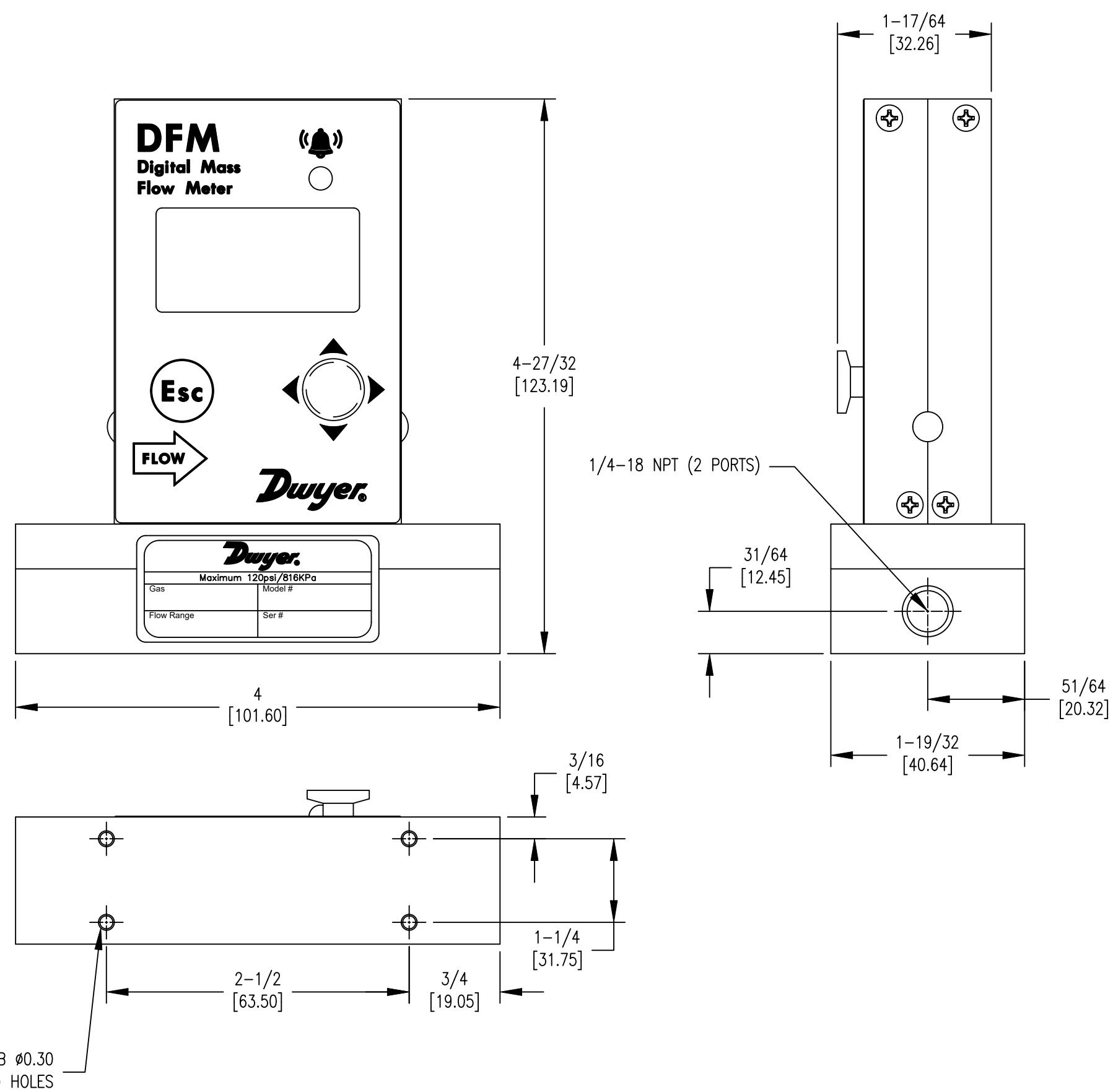


RANGE	A	B	C
0.5 ML/MIN-50 ML/MIN	4-13/32 [111.76]	4-37/64 [116.33]	10-32 UNF-2B
51 ML/MIN-20 L/MIN	4-37/64 [116.33]	4-13/32 [111.76]	1/8-27 NPT



RANGE
21 L/MIN - 100 L/MIN

Ⓢ = CRITICAL DIMENSION  
 STANDARD TOLERANCES UNLESS NOTED:  
 ALL DECIMAL DIMENSIONS ± .005  
 ALL ANGLES ± 1°

NO.	CHANGES	BY/DATE	DATE 11-02-20	NAME ARTWORK SERIS DFM DIGITAL MASS FLOW METER (FOR REFERENCE ONLY)	MATERIAL
			DWN BY DPR		FINISH
			CHKD		<b>DWYER INSTRUMENTS, INC.</b> MICHIGAN CITY, INDIANA 46360 U.S.A.
			APPD	ACAD2002	FR. NO. 701458-10
NOTICE: This drawing and the principles and elements of design embodied therein are the exclusive property of DWYER INSTRUMENTS, INC. and are not to be communicated, disclosed, reproduced or used except as previously authorized in writing by such corporation and must not be submitted to outside parties for examination without the written consent of said corporation.					3