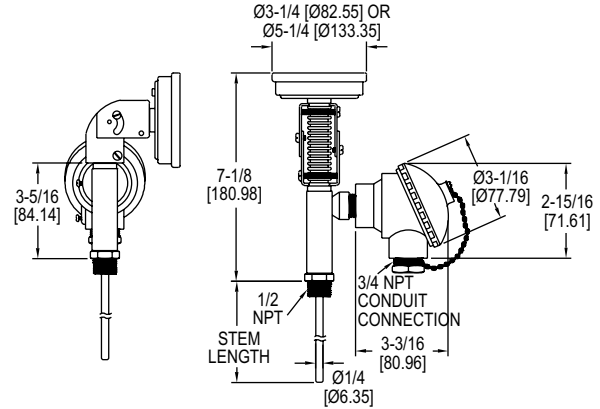


# BIMETAL THERMOMETER WITH TRANSMITTER OUTPUT

Bimetal Stem with 4-20 mA Output, 3" or 5" Dial



The **Series BTO Bimetal Thermometer with Transmitter Output** eliminates the need for a separate thermometer and transmitter.

**BENEFITS/FEATURES**

- Thermometer and transmitter in one device
- Weatherproof construction

**APPLICATIONS**

- Boilers
- Compressors
- Thermal oxidizers

SPECIFICATIONS	
<p><b>THERMOMETER SPECIFICATIONS</b>  <b>Wetted Materials:</b> 304 SS.  <b>Housing Material:</b> 304 SS.  <b>Lens:</b> Glass.  <b>Accuracy:</b> ±1% FS.  <b>Temperature Limits:</b> Ambient: -58 to 185°F (-50 to 85°C).  <b>Dial Size:</b> 3" or 5".  <b>Process Connection:</b> 1/2" NPT.  <b>Resolution:</b> 2°F (5°F for 400°F and 550°F models).  <b>Weight:</b> 1.95 lb.</p>	<p><b>TRANSMITTER SPECIFICATIONS</b>  <b>Temperature Limits:</b> Ambient: -58 to 185°F (-50 to 85°C).  <b>Power Requirement:</b> 10-33 VDC.  <b>Output Signal:</b> 4-20 mA.  <b>Loop Resistance:</b> 1045 Ω.  <b>Power Consumption:</b> 38 mA.  <b>Enclosure Rating:</b> NEMA 4X (IP66).</p>

MODEL CHART							
Model	Dial Size	Stem Length	Range	Model	Dial Size	Stem Length	Range
BTO32551	3"	2.5"	0 to 250°F	BTO52551	5"	2.5"	0 to 250°F
BTO32571	3"	2.5"	50 to 550°F	BTO52571	5"	2.5"	50 to 550°F
BTO34051	3"	4"	0 to 250°F	BTO54051	5"	4"	0 to 250°F
BTO34071	3"	4"	50 to 550°F	BTO54071	5"	4"	50 to 550°F
BTO36051	3"	6"	0 to 250°F	BTO56051	5"	6"	0 to 250°F
BTO36071	3"	6"	50 to 550°F	BTO56071	5"	6"	50 to 550°F
BTO39051	3"	9"	0 to 250°F	BTO59051	5"	9"	0 to 250°F
BTO39071	3"	9"	50 to 550°F	BTO59071	5"	9"	50 to 550°F
BTO31251	3"	12"	0 to 250°F	BTO51251	5"	12"	0 to 250°F
BTO31271	3"	12"	50 to 550°F	BTO51271	5"	12"	50 to 550°F

**Note:** -40 to 160°F, 0 to 200°F, 50 to 300°F, and 50 to 400°F ranges available, contact factory for more information.

USA: California Proposition 65  
**WARNING:** This product can expose you to chemicals including Lead, which is known to the State of California to cause cancer and birth defects or other reproductive harm. For more information go to [www.P65Warnings.ca.gov](http://www.P65Warnings.ca.gov).