



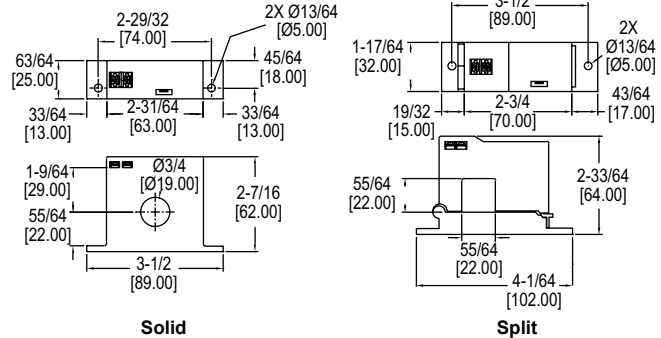
SERIES CCT40/50

CURRENT TRANSFORMERS

Solid or Split Core, Field Selectable Range



PROCESS CONTROL



The **Series CCT40/50 Current Transformers** are a low cost alternative for measuring power and monitoring the operation of fans, pumps, or other equipment. For use on existing installations, split core models can be installed without disconnecting cables. Each model offers three jumper selectable ranges and a choice of three different outputs.

BENEFITS/FEATURES

- Integral mounting flange for quick installation
- Solid core or split core configurations
- Jumper selectable range

APPLICATIONS

- BAS
- HVAC

SPECIFICATIONS

Amperage Range: Field selectable; up to 200 A (depending on model).

Output: 0-5 V, 0-10 V, or 4-20 mA (depending on model).

Power Requirements: Self-powered or 15-42 VDC loop powered (depending on model).

Accuracy: 1%.

Temperature Limits: -22 to 158°F (-30 to 70°C).

Humidity Limits: 0 to 95% (non-condensing).

Response Time: 250 ms to 90%.

Isolation Voltage: 2000 V.

Frequency: 10 to 400 Hz.

Enclosure Rating: UL 94 V-0 flammability rated, ABS plastic housing.

Compliance: CE, cULus.

MODEL CHART

Model	Range	Output	Power Requirements	Case	Model	Range	Output	Power Requirements	Case
CCT40-202	10/20/50 A	0-5 V	Self-powered	Solid core	CCT40-200	10/20/50A	4-20 mA	15 to 42 VDC, loop powered	Solid core
CCT50-202	100/150/200 A	0-5 V	Self-powered	Solid core	CCT50-200	100/150/200A	4-20 mA	15 to 42 VDC, loop powered	Solid core
CCT40-102	10/20/50 A	0-5 V	Self-powered	Split core	CCT40-100	10/20/50A	4-20 mA	15 to 42 VDC, loop powered	Split core
CCT50-102	100/150/200 A	0-5 V	Self-powered	Split core	CCT50-100	100/150/200A	4-20 mA	15 to 42 VDC, loop powered	Split core
CCT40-203	10/20/50 A	0-10 V	Self-powered	Solid core					
CCT50-203	100/150/200 A	0-10 V	Self-powered	Solid core					