



SERIES DFMT & DFMT2

# DIGITAL PADDLEWHEEL FLOW TRANSMITTERS

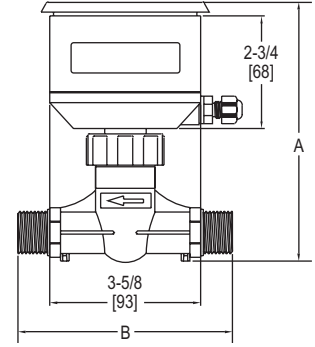
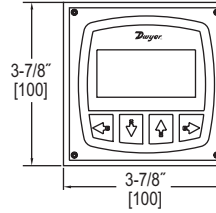
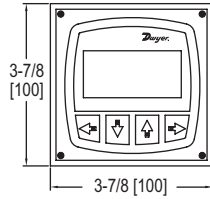
Flow and Total Indication, Easy to Read LCD Display, 4-20 mA or Pulse Output



DFMT

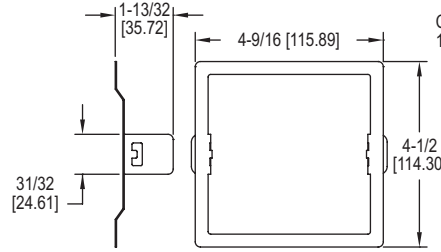


DFMT2

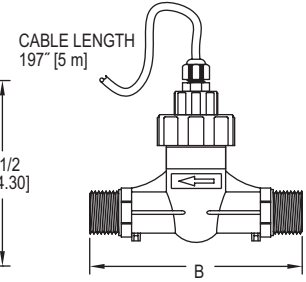


DFMT

Connection	A	B
3/8"	6" (152 mm)	4-3/4" (121 mm)
1/2"	6" (152 mm)	5-1/8" (130 mm)
3/4"	6-1/4" (158 mm)	5-5/8" (142 mm)
1"	6-1/4" (158 mm)	5-1/2" (141 mm)
1-1/2"	6-5/8" (168 mm)	6-7/8" (175 mm)
2"	7-1/4" (184 mm)	6-7/8" (175 mm)



Remote mounting bracket (stainless steel)



DFMT2

The **Series DFMT Digital Paddlewheel Flow Transmitters** provide instantaneous, as well as totalizing flow monitoring. The unit offers a user selectable 4-20 mA or pulse output with compact display.

**FEATURES/BENEFITS**

- The large backlit LCD display defines instantaneous as well as cumulative flow with visual indication bar designating percent of max flow
- Long operation life with high accuracy paddlewheel technology and corrosion resistant PVDF sensor
- Totalizer is user resettable at any time ideal for single batch totalization
- Security password protecting prevents any unauthorized changes

**APPLICATIONS**

- Cooling towers
- Chemical proportioning or blending
- Industrial water and wastewater treatment
- Cooling water monitoring
- Fluctuating fluid conductivity applications
- Reverse osmosis systems

The **Series DFMT2 Remote Digital Paddlewheel Flow Transmitter** provides instantaneous, as well as totalizing flow monitoring. The unit offers a user selectable 4-20 mA or pulse output with remote display.

**FEATURES/BENEFITS**

- Two piece design allows the user to separate the control display from the application, making it ideal in areas where space is limited
- The large backlit LCD display defines instantaneous as well as cumulative flow with visual indication bar designating percent of max flow
- Long operation life with high accuracy paddlewheel technology and corrosion resistant PVDF sensor
- Totalizer is user resettable at any time ideal for single batch totalization
- Security password protecting prevents any unauthorized changes

**APPLICATIONS**

- Reverse osmosis systems
- Remote flow monitoring
- Cooling towers
- Chemical proportioning or blending
- Industrial water and wastewater treatment
- Cooling water monitoring
- Fluctuating fluid conductivity applications

**SPECIFICATIONS**

**Service:** Compatible clean liquids.  
**Range:** See model chart.  
**Wetted Materials:** Sensor and impeller: PVDF; Shaft: Ceramic; O-rings: Fluoroelastomer.  
**Accuracy:** ±1.5% FS.  
**Repeatability:** ±0.5% FS.  
**Output:** Analog: 4-20 mA (750 Ω max. loop resistance); Pulse: NPN square wave output; Frequency: 0 to 2 kHz (adjustable); Pulse width: 0 to 1000 ms (adjustable).  
**Electrical Connections:** Removable screw terminal.  
**Temperature Limits:** Process: -4 to 194°F (-20 to 90°C); Ambient: -4 to 149°F (-20 to 65°C).  
**Pressure Limit:** 145 psi (1.0 MPa).  
**Power Requirements:** 12-24 VDC.  
**Power Consumption:** 2 W.  
**Display:** 2.38 x 1.25" (60.33 x 31.75 mm) LCD.  
**Totalizing Display Maximum:** 9,999,999,999.  
**Process Connection:** See model chart.  
**Enclosure Rating:** IP65.  
**Enclosure Material:** ABS plastic.  
**Weight:** See model chart.

Model	Range GPM (m³/h)	Connection	Weight lb (kg)
DFMT-10A	0.44 to 7.93 (0.1 to 1.8)	3/8" NPT	1.06 (0.48)
DFMT-15A	0.88 to 17.61 (0.2 to 4)	1/2" NPT	1.10 (0.5)
DFMT-20A	1.32 to 26.42 (0.3 to 6)	3/4" NPT	1.15 (0.52)
DFMT-25A	2.20 to 52.83 (0.5 to 12)	1" NPT	1.23 (0.56)
DFMT-40A	6.61 to 105.67 (1.5 to 24)	1-1/2" NPT	1.46 (0.66)
DFMT-50A	8.81 to 176.11 (2 to 40)	2" NPT	1.68 (0.76)

Model	Range GPM (m³/h)	Connection	Weight lb (kg)
DFMT2-10A	0.44 to 7.93 (0.1 to 1.8)	3/8" NPT	1.76 (0.8)
DFMT2-15A	0.88 to 17.61 (0.2 to 4)	1/2" NPT	1.81 (0.82)
DFMT2-20A	1.32 to 26.42 (0.3 to 6)	3/4" NPT	1.85 (0.84)
DFMT2-25A	2.20 to 52.83 (0.5 to 12)	1" NPT	1.94 (0.88)
DFMT2-40A	6.61 to 105.67 (1.5 to 24)	1-1/2" NPT	2.20 (1.0)
DFMT2-50A	8.81 to 176.11 (2 to 40)	2" NPT	2.43 (1.1)

