



SERIES 3400 | SMART PRESSURE TRANSMITTER



FEATURES/BENEFITS

- High accuracy ($\pm 0.075\%$ FS)
- Rangeability (up to 100:1)
- Configurable using zero/span buttons (no calibrator required)
- Fail-mode process function
- Automatic ambient temperature compensation

APPLICATIONS

- Measure gauge pressure, vacuum pressure and absolute pressure of gases, vapors, and liquids (including corrosive substances)

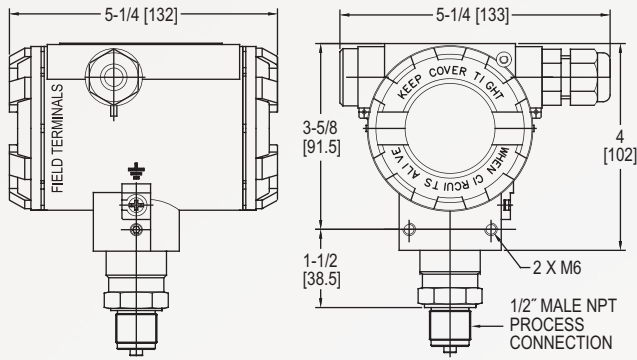
DESCRIPTION

The **Series 3400 Smart Pressure Transmitter** is a microprocessor-based high performance transmitter, which has flexible pressure calibration, features push button configuration, and is programmable using HART® Communication. The Series 3400 is capable of being configured with the zero and span buttons (a field calibrator is not required for configuration.) The transmitter software compensates for thermal effects, improving performance. EEPROM stored configuration settings and stores sensor correction coefficients in the event of shutdowns or power loss. The 3400 can be configured to be ATEX or IECEx approved for use in hazardous (Classified) locations. The rangeability allows the smart transmitter to be configured to fit most applications.

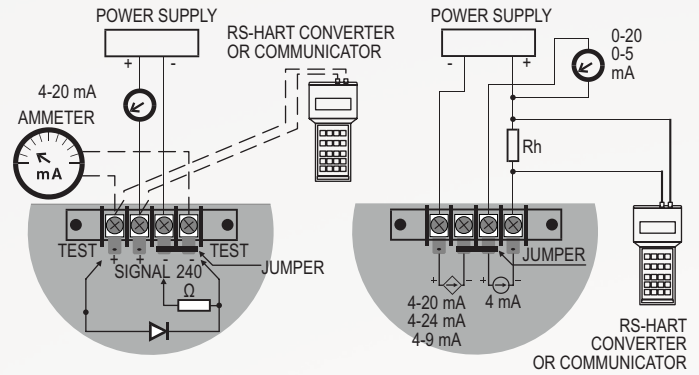
SPECIFICATIONS

Service	Compatible gases, steam, liquids or vapors.
Wetted Materials	316 SS.
Accuracy	$\pm 0.075\%$ FS (@ 20°C).
Rangeability	Up to 100:1 turn down.
Stability	$\leq 0.075\%$ FSO/3 years.
Temperature Limits	Ambient: -40 to 185°F (-40 to 85°C); Process with -DS: -40 to 400°F (-40 to 204°C).
Thermal Effect	$< \pm 0.05\%$ span/10°C.
Power Requirements	10-55 VDC.
Output Signal	4-20 mA.
Response Time	16 to 480 ms (programmable).
Damping Time	0 to 60 s.
MTBF (Mean Time Between Failure)	126 years.
MTTF (Mean Time To Failure)	MTBF minus 8 h.
Loop Resistance:	Operation: 0 to 1500 Ω ; HART® communication: min. 240 Ω , max. 1100 Ω .
Electrical Connection	Packing gland M20x1.5, two 1/2" female NPT conduit, screw terminal.
Process Connections	1/2" female or male NPT.
Enclosure Rating	NEMA 4X IP66/IP67.
Agency Approvals	CE; -IS, -FP suffix: ATEX Compliant $\text{C} \text{E}$ 0518 II 2G Ex ia/db IIC T6/T5 Gb Ta<80°C, T5 / II 2D Ex ia/tb IIIC T85°C/T100°C Db. Type Certificate No. KDB 17ATEX0056X. ATEX Standards: EN 60079-0:2012+A11:2013, EN 60079-1:2014, EN 60079-11:2012, EN 60079-26:2015, EN 60079-31:2014 IECEx Compliant: Ex ia/db IIC T6/T5 Gb / Ex ia/tb IIIC T85°C/T100°C Db. Certificate of Conformity IECEx KDB 17.0008X. IECEx Standards: IEC 60079-0:2011, IEC 60079-1:2014-06, IEC 60079-11:2011, IEC 60079-26:2006, IEC 60079-31:2013.

DIMENSIONS



WIRING DIAGRAM



HOW TO ORDER

Use the **bold** characters from the chart below to construct a product code.

	3400	-AL	-01	-DS	-1	-SPD	A	0	-1	-ST	
SERIES											OPTIONS
3400: Smart pressure transmitter											-FP: ATEX/IECEX flameproof
HOUSING											-IS: ATEX/IECEX intrinsically safe
-AL: Aluminum housing											-MT: Stainless steel tag plate mounted on wire
-AS: Stainless steel housing											-NIST: NIST traceable calibration certificate
RANGE											-ST: Stainless steel plate riveted to the housing
-01: 0 to 18 psia	-15: 0 to 350 psi										-GM: 2" galvanized steel mounting bracket
-03: 0 to 100 psia	-17: 0 to 1000 psi										-SM: 2" SS mounting bracket
-05: 0 to 350 psia	-20: 0 to 2300 psi										CAPILLARY LENGTH
-07: 0 to 1000 psia	-23: 0 to 4350 psi										#: Capillary length, 1 to 20 ft (increments of 1)
-10: 0 to 15 psi	-26: 0 to 8700 psi										EXTENSION LENGTH
-11: 0 to 30 psi	-29: 0 to 14500 psi										0: No extension, flush mount
-13: 0 to 100 psi											2: 2" (50 mm)
PROCESS CONNECTIONS											4: 4" (100 mm)
-NM: 1/2" male NPT											6: 6" (150 mm)
-NF: 1/2" female NPT											FLANGE
-DS: Diaphragm seal selection											A: 2" ANSI
ELECTRICAL CONNECTIONS											C: 3" ANSI
-1: Packing gland M20x1.5											B: 2" DN50
-2: 1/2" female NPT											D: 3" DN80
DIAPHRAGM SEAL TYPE											
-SPD: S-P flush diaphragm seal direct mount											
-SPR: S-PK flush diaphragm seal capillary mount											
-STD: S-T extended diaphragm seal direct mount											
-STR: S-TK extended diaphragm seal capillary mount											

ACCESSORIES

Model	Description	Model	Description
A-630	Stainless steel angle type bracket with SS bolts	BBV-0N	2-valve block manifold
A-631	Stainless steel flat type bracket with SS bolts	DevCom2000	HART® Communication Protocol Software

ORDER ONLINE TODAY!

dwyer-inst.com/Product/Series3400

HART® is a registered trademark of Hart Communication Foundation



DWYER INSTRUMENTS, INC.

©Copyright 2020 Dwyer Instruments, Inc.
Printed in U.S.A. 5/20

DS-3400 Rev. 4

Important Notice: Dwyer Instruments, Inc. reserves the right to make changes to or discontinue any product or service identified in this publication without notice. Dwyer advises its customers to obtain the latest version of the relevant information to verify, before placing any orders, that the information being relied upon is current.