



MODEL CMS300 | CARBON MONOXIDE TRANSMITTER AND SWITCH



BENEFITS/FEATURES

- Field selectable current or voltage analog outputs
- Integral SPDT relay contact for low or high alarm
- Jumper selectable alarm set points of 25, 60, or 150 PPM
- UL recognized carbon monoxide sensing element
- Field calibration kits

APPLICATIONS

- Garage or loading dock ventilation
- Vehicle maintenance facilities
- Mechanical room monitoring

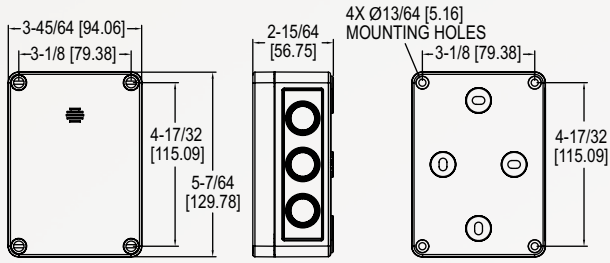
DESCRIPTION

The **CMS300 Carbon Monoxide Transmitter and Switch** provides a field selectable current or voltage output that is proportional to the carbon monoxide concentration in underground parking garage, vehicle maintenance facilities, or mechanical rooms. An integral relay can be used for alarm conditions and is configured with preset jumper selectable ranges of 25, 60, or 150 PPM. Field calibration can be done by using Model GCK-200CO-2000CO2 calibration gas, Model A-507 calibration adapter, and the on board zero and span potentiometers.

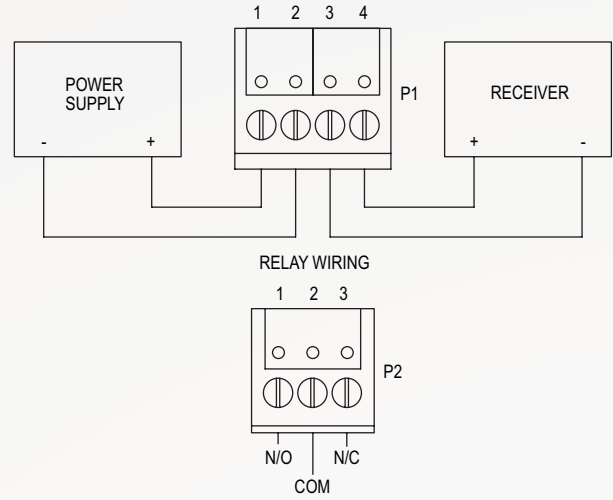
SPECIFICATIONS

Service	Electrochemical, 5 years typical lifespan.
Range	0 to 300 PPM.
Output Drift	<5% per year in air.
Temperature Effect	± 2% over range.
Coverage Area	7,500 ft ² (700 m ²) or 50 ft (15 m) radius.
Accuracy	± 5 PPM or 5% of reading for 0 to 300 PPM (whichever is greater).
Resolution	1 PPM.
Power Requirement	12-40 VDC or 15-32 VAC @ 160 mA max.
Temperature Range	-4 to 122°F (-20 to 50°C).
Storage Temperature	For best sensor life, 32°F to 68°F (0 to 20°C).
Humidity Range	15 to 90% RH constant; 0 to 99% RH intermittent.
Response Time	<45 s to 90% of final value.
Calibration	15 turn span and zero adjustment potentiometers.
Housing	UV resistant glass filled polycarbonate.
Analog Output	Jumper selectable 4-20 mA (loop powered) or 2-10 V (maximum load 2k Ω).
Enclosure Rating	IP64.
Weight	1 lb. (0.45 kg).
Switch Type	Single-pole double-throw (SPDT).
Relay Electrical Rating	30 VDC, 250 VAC. N/O=5 A. N/C=3 A resistive.
Set Point	Jumper selectable 25, 60, or 150 PPM.
Set Point Differential/ Hysteresis	3% of scale.
Relay Action	Factory set for direct acting.
Compliance	Sensor is UL recognized component for ANSI/UL-2034, UL-2075, E340403, CE.

DIMENSIONS



WIRING DIAGRAM



HOW TO ORDER

Use the **bold** characters from the chart below to construct a product code.

CMS300

MODEL

CMS300: Carbon monoxide transmitter and switch

ACCESSORIES

Model	Description
A-GSTA-SE	Security enclosure
GCK-200CO-2000CO2	Calibration gas
A-507	Calibration adapter

ORDER ONLINE TODAY!

dwyer-inst.com/Product/ModelCMS300



DWYER INSTRUMENTS, LLC

©Copyright 2022 Dwyer Instruments, LLC
Printed in U.S.A. 2/22

DS-CMS300 Rev. 5

Important Notice: Dwyer Instruments, LLC reserves the right to make changes to or discontinue any product or service identified in this publication without notice. Dwyer advises its customers to obtain the latest version of the relevant information to verify, before placing any orders, that the information being relied upon is current.