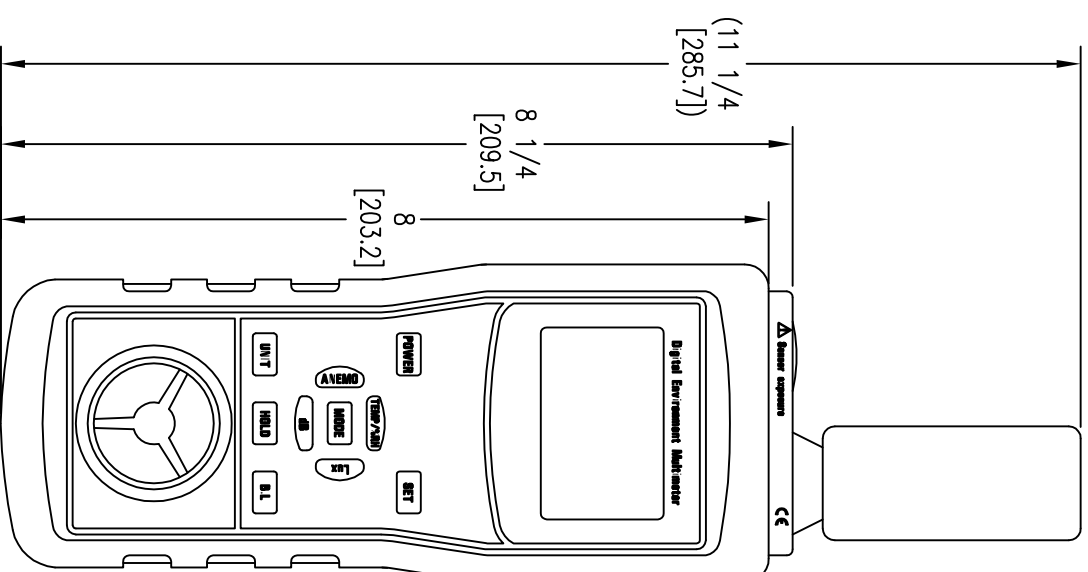
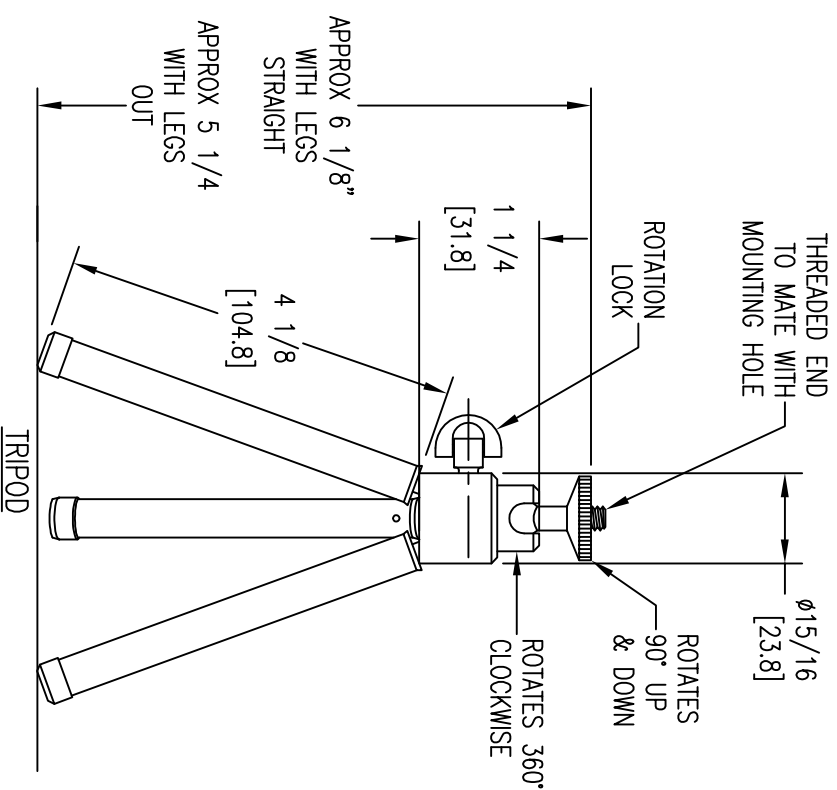


UNIT BACK



UNIT FRONT



SCALE 1:2

© = CRITICAL DIMENSION  
 STANDARD TOLERANCES UNLESS NOTED:  
 ALL DECIMAL DIMENSIONS ± .005  
 ALL ANGLES ± 1°

		DATE		NAME		EMMA	
		DWN BY		DIGITAL ENVIRONMENTAL		MULTI-FUNCTION METER	
		CHKD		APPD		DIGITAL ENVIRONMENTAL	
		BY/DATE		CHANGES		ACAD2002	
NO.						3	
				FR. NO.		Dwyer Instruments, Inc. MICHIGAN CITY, INDIANA 46360 U.S.A.	

NOTICE: This drawing and the principles and elements of design embodied therein are the exclusive property of DWYER INSTRUMENTS, INC. and are not to be communicated, disclosed, reproduced or used except as previously authorized in writing by such corporation and must not be submitted to outside parties for examination without the written consent of said corporation.