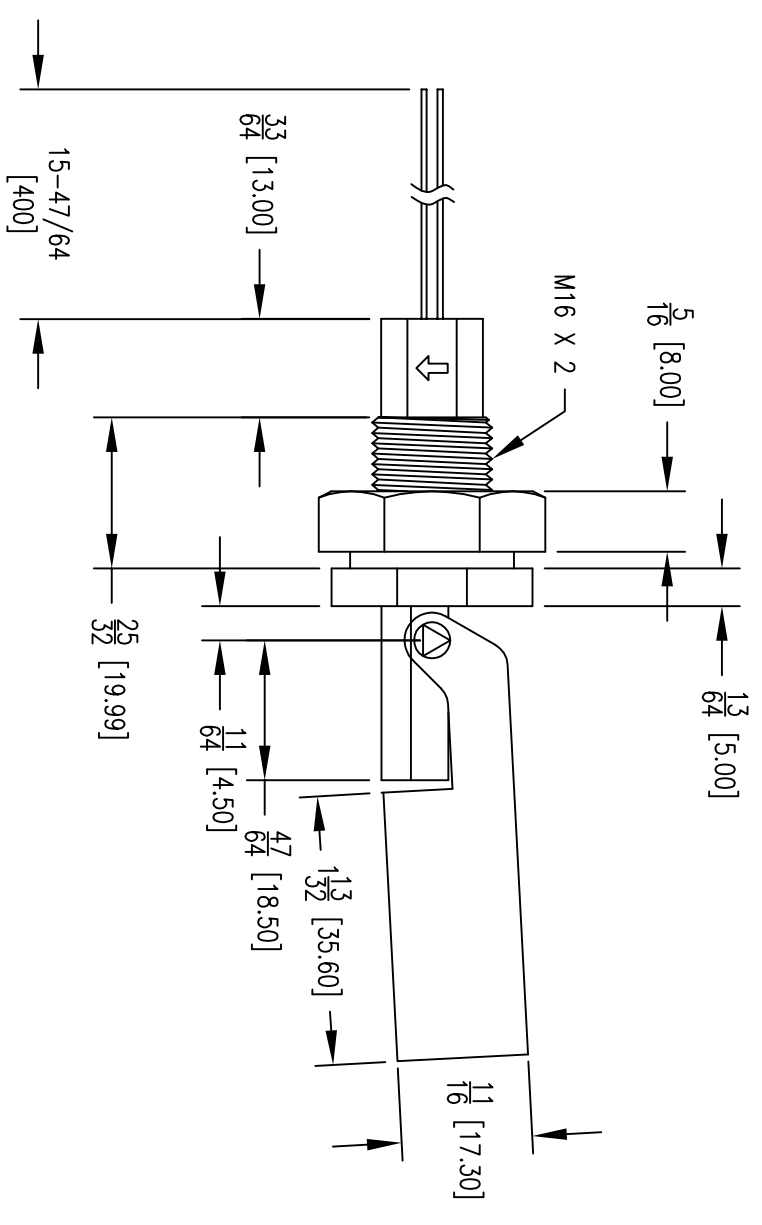
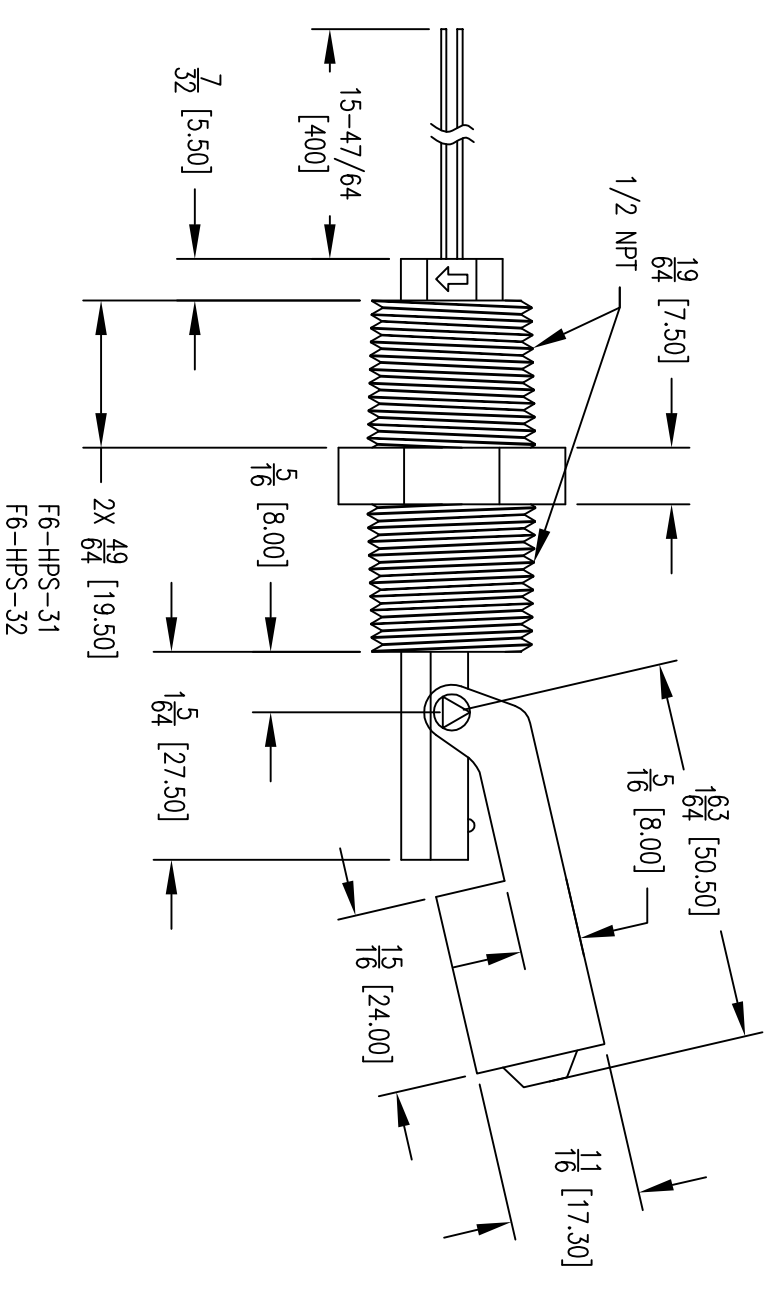


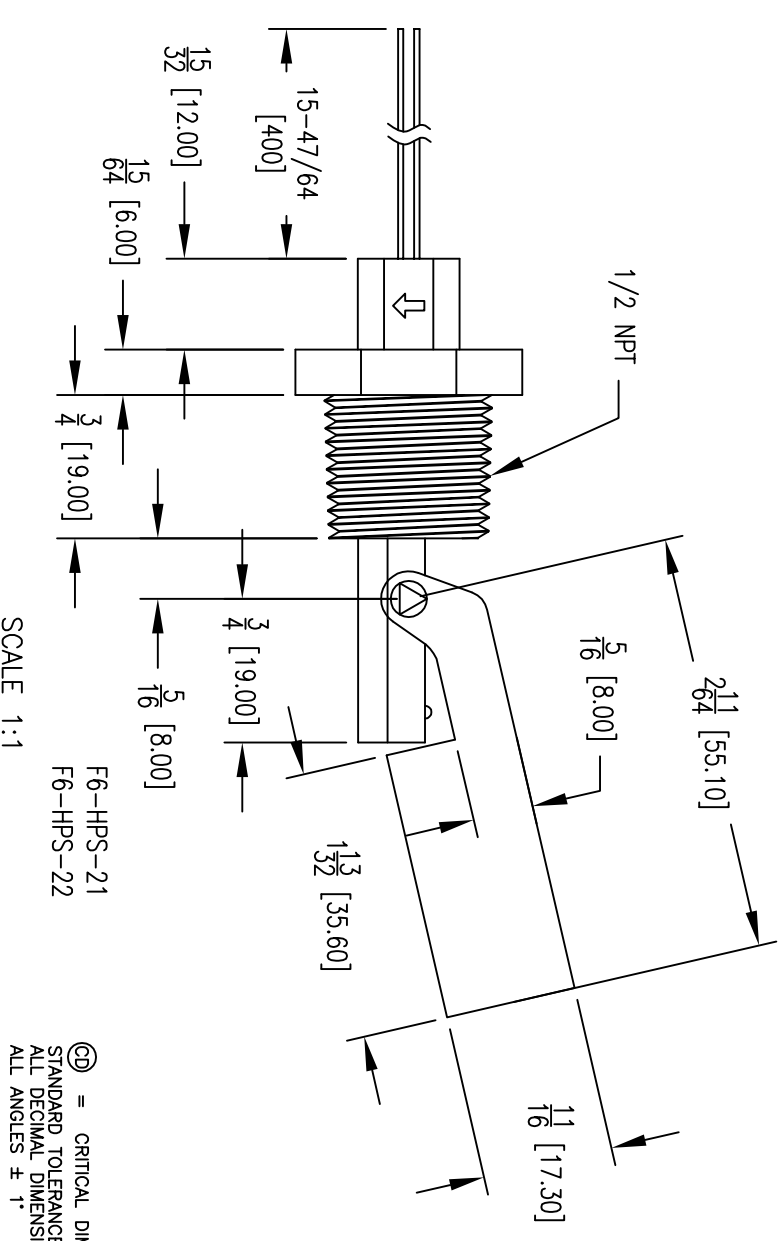
F6-MHS  
F6-MHS-316



F6-HPS-11  
F6-HPS-12



F6-HPS-31  
F6-HPS-32



F6-HPS-21  
F6-HPS-22

SCALE 1:1

Ⓢ = CRITICAL DIMENSION  
STANDARD TOLERANCES UNLESS NOTED:  
ALL DECIMAL DIMENSIONS ± .005  
ALL ANGLES ± 1°

NO.		DATE		NAME		MATERIAL	
				F6 SERIES			
				SINGLE POINT			
				FLOAT LEVEL SWITCH			
				DWN BY		FINISH	
				CHKD			
				APPD			
CHANGES		BY/DATE				FR. NO.	
						Dwyer Instruments, Inc.	
						MICHIGAN CITY, INDIANA 46360 U.S.A.	
						ACAD2002	
						3	

NOTICE: This drawing and the principles and elements of design embodied therein are the exclusive property of DWYER INSTRUMENTS, INC. and are not to be communicated, disclosed, reproduced or used except as previously authorized in writing by such corporation and must not be submitted to outside parties for examination without the written consent of said corporation.