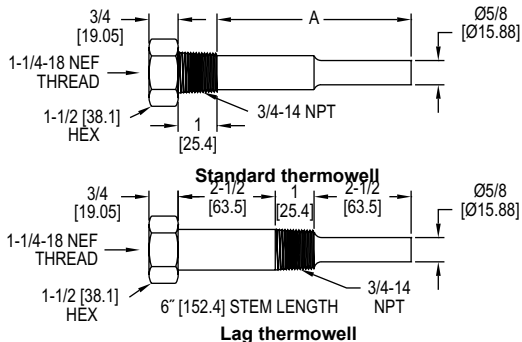


INDUSTRIAL THERMOMETER THERMOWELLS

Fits IT Thermometers with 3-1/2" and 6" Stem Lengths



The **Series IT-W Industrial Thermometer Thermowells** reduce installation cost and time by eliminating the need to drain the system when servicing industrial thermometers. The thermowells protect industrial thermometers from high pressure, flow and corrosive media.

BENEFITS/FEATURES

- Designed to fit the Series IT industrial thermometers
- Lag stems available

APPLICATIONS

- Boiler or chiller temperature monitoring

MODEL CHART			
Model	Material	Insertion Length	Lag
IT-W01	Brass	2-1/2"	N/A
IT-W11	304 SS	2-1/2"	N/A
IT-W21	316 SS	2-1/2"	N/A
IT-W04	Brass	5"	N/A
IT-W14	304 SS	5"	N/A
IT-W24	316 SS	5"	N/A
IT-W07	Brass	2-1/2"	2-1/2"
IT-W17	304 SS	2-1/2"	2-1/2"
IT-W27	316 SS	2-1/2"	2-1/2"

USA: California Proposition 65
WARNING: This product can expose you to chemicals including Lead, which is known to the State of California to cause cancer and birth defects or other reproductive harm. For more information go to www.P65Warnings.ca.gov.