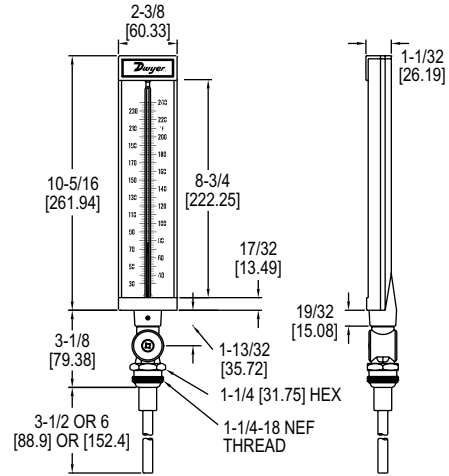


INDUSTRIAL THERMOMETER

9" Scale, Adjustable Angle Stem



The **Series IT Industrial Thermometer** allows users to easily take accurate temperature measurements in any environment. The case of the IT series is made of die cast aluminum for extra durability in industrial environments.

BENEFITS/FEATURES

- Organic, non-toxic fill fluid
- Dual scale in °F and °C
- Adjustable stem angle

APPLICATIONS

- Boiler or chiller temperature monitoring

SPECIFICATIONS

Wetted Material: Tapered cast aluminum with graphite fill.

Housing Material: 9" (228 mm) aluminum.

Lens: Glass.

Accuracy: 1%.

Scales: Aluminum painted white with black markings.

Process Connection: 1-1/4-18 NEF thread.

Liquid Filling: Organic blue liquid filled tube.

Mounting: Adjustable stem: Vertical plane 180° horizontal plane 360°.

Weight: 1 lb 7 oz (0.65 kg).

MODEL CHART

3-1/2" Stem Model	Range	6" Stem Model	Range
ITA9351D	-40 to 110°F (-40 to 43°C)	ITA9601D	-40 to 110°F (-40 to 43°C)
ITA9352D	0 to 120°F (-17 to 49°C)	ITA9602D	0 to 120°F (-17 to 49°C)
ITA9353D	0 to 160°F (-17 to 71°C)	ITA9603D	0 to 160°F (-17 to 71°C)
ITA9354D	20 to 180°F (-6 to 82°C)	ITA9604D	20 to 180°F (-6 to 82°C)
ITA9355D	30 to 240°F (0 to 114°C)	ITA9605D	30 to 240°F (0 to 114°C)
ITA9356D	30 to 300°F (-1 to 149°C)	ITA9606D	30 to 300°F (-1 to 149°C)
ITA9357D	50 to 400°F (10 to 240°C)		
ITA9358D	50 to 550°F (10 to 288°C)		