



Series APM Analog Panel Meter

Instruction Manual



- 1/8 DIN Digital Panel Flow Rate/Totalizers with NEMA 4X, IP65 Front
- 0-20 mA, 4-20 mA, 0-5 V, 1-5 V, and ± 10 V Inputs
- Dual-Line 6-Digit Display, 0.6" (15 mm) & 0.46" (12 mm)
- Isolated 24 VDC @ 200 mA Transmitter Power Supply
- 2 or 4 Relays with Interlocking Capability + Isolated 4-20 mA Output Options
- Free PC-Based, On-Board, Panel Meter Pro USB Programming Software
- No Assembly Required
- Display Rate & Total at the Same Time
- Rate in Units per Second, Minute, Hour, or Day
- Total, Grand Total or Non-Resettable Grand Total
- Front Panel or Remote Total Reset
- Password Protection for Total Reset
- Total Stored in Non-Volatile Memory
- Assign Any Relay for Rate or Total
- 4-20 mA Output for Rate or Total
- Sampling Relay
- Display Open Channel Flow with Programmable Exponent Feature
- 32-Point Linearization & Square Root Extraction
- Optional SunBright Display Models for Outdoor Applications
- Operating Temperature Range: -40 to 65°C (-40 to 149°F)
- UL & C-UL Listed. E160849; 508 Industrial Control Equipment
- Input Power Options: 85-265 VAC / 90-265 VDC or 12-24 VDC / 12-24 VAC
- Programmable Display, Function Keys & Digital Input
- External 4-Relay & Digital I/O Modules
- RS-232 & RS-485 Serial Communication Options with Modbus RTU
- Wide Assortment of NEMA 4X Enclosures for up to Ten Meters
- 3-Year Warranty

DWYER INSTRUMENTS, INC.
P.O. BOX 373 • MICHIGAN CITY, IN 46360, U.S.A.

Phone: 219/879-8000
Fax: 219/872-9057

dwyer-inst.com
e-mail: info@dwyermail.com

Disclaimer

The information contained in this document is subject to change without notice. Dwyer Instruments, Inc. makes no representations or warranties with respect to the contents hereof and specifically disclaims any implied warranties of merchantability or fitness for a particular purpose. See Warranty Information and Terms & Conditions on www.dwyer-inst.com for complete details.

CAUTION

- Read complete instructions prior to installation and operation of the meter.

WARNINGS

- Risk of electric shock or personal injury.
- This product is not recommended for life support applications or applications where malfunctioning could result in personal injury or property loss. Anyone using this product for such applications does so at his/her own risk. Dwyer Instruments, Inc. shall not be held liable for damages resulting from such improper use.

WARNING

Cancer and Reproductive Harm - www.P65Warnings.ca.gov

Limited Warranty

Dwyer Instruments, Inc. warrants this product against defects in material or workmanship for the specified period under "Specifications" from the date of shipment from the factory. Dwyer Instruments' liability under this limited warranty shall not exceed the purchase value, repair, or replacement of the defective unit. See Warranty Information and Terms & Conditions on www.dwyer-inst.com for complete details.

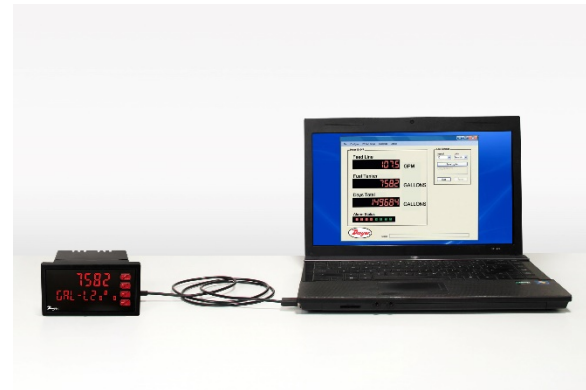
Registered Trademarks

All trademarks mentioned in this document are the property of their respective owners.

© 2020 Dwyer Instruments, Inc.

All rights reserved.

FREE Panel Meter Pro Programming Software



*The meter can be powered from the Micro USB connection. When using the Micro USB connection, **DO NOT** apply AC or DC power to the meter.*

The easiest and quickest way to program your MPM meter is to use the FREE Panel Meter Pro programming software. This software is loaded into the meter and connects and installs directly to your PC with a USB cable. We recommend that the first thing you do after taking the meter out of the box is connect the MPM to your PC with the provided USB cable – do not use a different cable. **DO NOT** apply AC or DC power to the meter while your PC is connected to the meter as it will disrupt the USB connection. You don't even have to apply an input signal.

Panel Meter Pro programming software is intuitive, and most customers can get their meter programmed as they like without even looking in the manual.

In addition to programming, the software may be used for:

- Monitoring
- Datalogging using your PC
- Generating and saving programming files for later use

Once your meter is programmed the way you want it, you can wire it up for your application per the instructions in this manual and install it. If you find that you need to make adjustments to the programming after the meter is installed, you can use the front panel buttons and the instructions in this manual to do so.

Table of Contents

Introduction.....	6
Using the APM Like an MPM Process Meter.....	6
Ordering Information.....	6
Specifications	7
General.....	7
Process Input	8
Rate/Totalizer.....	8
Relays.....	9
Isolated 4-20 mA Transmitter Output	9
USB Connection.....	10
On-Board Digital Input (F4)	10
Modbus® RTU Serial Communications.....	10
Panel Meter Pro	10
Compliance Information.....	11
Safety	11
Electromagnetic Compatibility.....	11
Safety Information	11
Installation.....	11
Unpacking.....	11
Panel Mounting Instructions	12
Mounting Dimensions	12
Installation Overview	13
Panel Meter Pro Software.....	13
Panel Meter Pro Installation	13
Transmitter Supply Voltage Selection (P+, P-)	14
Connections	14
Connectors Labeling	14
Power Connections.....	15
Signal Connections.....	15
Modbus RTU Serial Communications	15
Relay Connections.....	15
Switching Inductive Loads.....	16
F4 Digital Input Connections.....	16
4-20 mA Output Connections.....	16
Analog Output Power Supply.....	16
External Relay & Digital I/O Connections.....	17
Interlock Relay Feature	17
Setup and Programming.....	18
Front Panel Buttons and Status LED Indicators.....	18
Display Functions & Messages.....	19
Main Menu.....	21
Setting Numeric Values	21
Setting Up the Rate/Totalizer Meter (SEtUP).....	21
Setting the Input Signal (iNPUt).....	22
Setting the Totalizer Features (tOtAL).....	22
Setting the Display Units or Custom Tags (uN ItS).....	22
Setting the Decimal Point (dEcPt)	23
Programming the Rate/Totalizer (Pr oG).....	23
Setting the Display Parameter & Intensity (dSPtRY)	25
Display Intensity (d- iNtY).....	25
Setting the Relay Operation (rELRY).....	26
Relay Assignment (R55 iGn).....	26
Setting the Relay Action.....	26
Programming Set and Reset Points	27
Setting Fail-Safe Operation.....	27
Programming Time Delay	27
Relay Action for Loss of 4-20 mA Input (Loop Break).....	27

Relay and Alarm Operation Diagrams	28
High Alarm Operation (Set > Reset)	28
Low Alarm Operation (Set < Reset)	28
High Alarm with Fail-Safe Operation (Set > Reset)	28
Low Alarm with Fail-Safe Operation (Set < Reset)	28
Time Delay Operation	29
Rate Relay Sampling Operation	29
Total Relay Sampling Operation	29
Relay Operation Details	30
Overview	30
Relays Auto Initialization	30
Fail-Safe Operation	30
Front Panel LEDs	30
Latching and Non-Latching Relay Operation	30
Non-Latching Relay (R _{uLd})	31
Non-Latching Relay with Manual Reset (R _{n rRn})	31
Latching Relay with Clear (LR _{cH})	31
Latching Relay (LR _{Lr})	31
Acknowledging Relays	32
Setting Up the Interlock Relay (Force On) Feature	32
Scaling the 4-20 mA Analog Output (R_{out})	33
Reset Menu (rESEt)	33
Manual Control Menu (Cntrl)	33
Setting Up the Password (PR55)	34
Protecting or Locking the Meter	34
Total Reset Password & Non-Resettable Total	34
Making Changes to a Password Protected Meter	34
Disabling Password Protection	34
Advanced Features Menu	35
Advanced Features Menu & Display Messages	35
Noise Filter (F _{iltEr})	36
Noise Filter Bypass (b _{YP} PR55)	36
Rounding Feature (r _{ound})	36
Modbus RTU Serial Communications (SEr _{IAL})	36
Select Menu (SELEct)	37
Input Signal Conditioning (Func _{tion})	37
Low-Flow Cutoff (L _{ow} o _{FF})	38
Totalizer Count Up/Down (C _{ount})	38
Analog Output Programming (R _{out} P _r)	38
Programmable Function Keys User Menu (u _S Er)	39
Internal Source Calibration (I _{SR} L)	40
Meter Operation	41
Front Panel Buttons Operation	41
Function Keys Operation	41
F4 Operation	41
Maximum/Minimum Readings	41
Totalizer Overflow Displays Total to 9 Digits	41
Troubleshooting	42
Diagnostics Menu (d_{IRG})	42
Determining Software Version	42
Reset Meter to Factory Defaults	42
Factory Defaults & User Settings	43
Troubleshooting Tips	44

Table of Figures

Figure 1: 1/8 DIN Panel Cutout and Mounting.....	12
Figure 2. Meter Dimensions - Side View.....	12
Figure 3. Meter Dimensions - Top View.....	12
Figure 4: Transmitter Supply Voltage Selection.....	14
Figure 5. APM-100 & APM-200 Connectors Label.....	14
Figure 6. APM-120 & APM-220 Connectors Label.....	14
Figure 7. APM-101 & APM-201 Connectors Label.....	14
Figure 8. APM-140 & APM-240 Connectors Label.....	14
Figure 9. APM-121 & APM-221 Connectors Label.....	14
Figure 10. APM-141 & APM-241 Connectors Label.....	14
Figure 11: Power Connections.....	15
Figure 12: Transmitter Powered by Internal Supply.....	15
Figure 13: Transmitter Powered by External Supply or Self-Powered.....	15
Figure 14: Voltage Input Connections.....	15
Figure 15: Relay Connections.....	15
Figure 16: AC and DC Loads Protection.....	16
Figure 17: Low Voltage DC Loads Protection.....	16
Figure 18: F4 Digital Input Connections.....	16
Figure 19: 4-20 mA Output Connections.....	16
Figure 20. Analog Output Supply Powering Other Devices.....	16
Figure 21. Expansion Module & DIN Rail Mounting Kit.....	17
Figure 22. External Relays Module Connections.....	17
Figure 23. Digital I/O Module Connections.....	17
Figure 24. Interlock Connection.....	17

Introduction

Front, back and in between, the APM meter boasts specifications, features and functionality that make it the only 1/8 DIN analog input flow rate/totalizer you will ever need. The number one feature that makes the APM such a useful device is its built-in 24 VDC @ 200 mA power supply to drive the transmitter. This feature not only saves the cost of an external power supply, but also greatly simplifies wiring. In addition, there is a second 24 VDC @ 40 mA power supply provided with the 4-20 mA output option.

The second most important feature about these meters is they can display flow rate and total at the same time. In fact, the 6-digit dual line display can be programmed for a wide variety of flow applications, including: flow rate and tag, total and tag, total and grand total, and even non-resettable grand total.

Another reason why the APM Meter is the only flow rate/totalizer you will ever need is its NEMA 4X rated front panel. This means you can install the APM in panels exposed to moisture, dust and other adverse conditions.

Other key features include four relays and 4-20 mA output option, remote total reset, advanced input signal conditioning like square root extraction and programmable exponent for open channel flow.

Finally, all these features and capabilities can easily be programmed with free Panel Meter Pro software.

Using the APM Like an MPM Process Meter

The APM is essentially a MPM process meter with flow totalization capability. The flow totalization capability can easily be de-activated for customers that would prefer their APM behave like a MPM process meter. For instructions on how to do this, see *Setting Up the Rate/Totalizer Meter (SEt uP)* on page 21 for details.

Ordering Information

Standard Models

85-265 VAC Model	12-24 VDC Model	Options Installed
APM-100	APM-200	No options
APM-101	APM-201	4-20 mA output
APM-120	APM-220	2 relays
APM-121	APM-221	2 relays & 4-20 mA output
APM-140	APM-240	4 relays
APM-141	APM-241	4 relays & 4-20 mA output

Accessories

Model	Description
PMA-01	RS-232 serial adapter
PMA-02	USB serial adapter
PMA-03	RS-422/485 serial adapter
PMA-04	RS-232 to RS-422/485 isolated converter
PMA-05	RS-232 to RS-422/485 non-isolated converter
PMA-06	USB to RS-232 non-isolated converter
PMA-07	USB to RS-422/485 isolated converter
PMA-08	USB to RS-422/485 non-isolated converter
PMA-09	Suppressor (snubber): 0.01 μ F/470 Ω , 250 VAC
PMA-10	DIN rail mounting kit for two expansion modules
PMA-11	4 SPST (Form A) relays
PMA-12	4 digital inputs & 4 digital outputs (2 may be connected)

Enclosures

Series	Meters	Material
PME-10	1-10	Plastic NEMA 4X
PME-20	1-6	Plastic NEMA 4X
PME-30	1-6	Stainless Steel NEMA 4X
PME-40	1-6	Painted Steel NEMA 4
PME-00	1-2	Plastic NEMA 4X

Specifications

Except where noted all specifications apply to operation at +25°C.

General

Display	Line 1: 0.6" (15 mm) high, red LEDs Line 2: 0.46" (12 mm) high, red LEDs 6 digits: each (-99999 to 999999), with lead zero blanking.
Display Intensity	Eight user selectable intensity levels. Default value is six.
Display Update Rate	5/second (200 ms)
Overrange	Display flashes 999999
Underrange	Display flashes -999999
Display Assignment	Display lines 1 & 2 may be assigned to rate, total, grand total, alternate (rate/total, rate/grand total, rate/units, total/units, and grand total/units), set points, max/min, units (line 2 only), and Modbus input. Additional displays are available if parameter <code>ExtRL</code> is <code>OFF</code> , and parameter <code>d-SLR</code> is <code>on</code> : gross, alternating gross/net, PV1, PV2, and PCT (refer to the APM Analog Panel Meter instruction manual at www.dwyer-inst.com).
Programming Methods	Four front panel buttons, digital inputs, or PC with Panel Meter Pro software.
Noise Filter	Programmable from 2 to 199 (0 will disable filter)
Filter Bypass	Programmable from 0.1 to 99.9% of calibrated span
Recalibration	All ranges are calibrated at the factory. Recalibration is recommended at least every 12 months.
Max/Min Display	Max/min readings reached by the process are stored until reset by the user or until power to the meter is turned off.
Rounding	Select 1, 2, 5, 10, 20, 50, or 100 (e.g. rounding = 10, value = 123.45, display = 123.50).
Password	Three programmable passwords restrict modification of programmed settings and two prevent resetting the totals. Pass 1: Allows use of function keys and digital inputs Pass 2: Allows use of function keys, digital inputs and editing set/reset points Pass 3: Restricts all programming, function keys, and digital inputs. Total: Prevents resetting the total manually Gtotal: Prevents resetting the grand total manually
Non-Volatile Memory	All programmed settings are stored in non-volatile memory for a minimum of ten years if power is lost.
Power Options	85-265 VAC 50/60 Hz; 90-265 VDC, 20 W max; 12-24 VDC, 12-24 VAC, 15 W max. Powered over USB for configuration only.
Fuse	Required external fuse: UL Recognized, 5 A max, slow blow; up to 6 meters may share one 5 A fuse
Normal Mode Rejection	Greater than 60 dB at 50/60 Hz

Isolation	4 kV input/output-to-power line 500 V input-to-output or output-to-P+ supply
Overvoltage Category	Installation Overvoltage Category II: Local level with smaller transient overvoltages than Installation Overvoltage Category III.
Environmental	Operating temperature range: -40 to 65°C (-40 to 149°F) Storage temperature range: -40 to 85°C (-40 to 185°F) Relative humidity: 0 to 90% non-condensing
Connections	Removable screw terminal blocks accept 12 to 22 AWG wire, RJ45 for external relays, digital I/O, and serial communication adapters.
Enclosure	1/8 DIN, high impact plastic, UL 94V-0, color: black
Front Panel	NEMA 4X, IP65
Mounting	1/8 DIN panel cutout required: 3.622" x 1.772" (92 mm x 45 mm) Two panel mounting bracket assemblies are provided.
Tightening Torque	Screw terminal connectors: 5 lb-in (0.56 Nm)
Overall Dimensions	4.68" x 2.45" x 5.64" (119 mm x 62 mm x 143 mm) (W x H x D)
Weight	9.5 oz (269 g)
Warranty	3 years parts & labor. See Warranty Information and Terms & Conditions on www.dwyer-inst.com for complete details.

Process Input

Inputs	Field selectable: 0-20 mA, 4-20 mA ±10 V (0-5 V, 1-5 V, 0-10 V) Modbus PV (Slave)						
Isolated Transmitter Power Supply	Terminals P+ & P-: 24 VDC ±10%. All models selectable for 24, 10, or 5 VDC supply (internal jumper J4). 85-265 VAC models rated @ 200 mA max, 12-24 VDC powered models rated @ 100 mA max. 5 & 10 VDC supply rated @ 50 mA max. Refer to <i>Figure 4: Transmitter Supply Voltage Selection</i> on page 14 and <i>Figure 19: 4-20 mA Output Connections</i> on page 16.						
Accuracy	±0.03% of calibrated span ±1 count, square root & programmable exponent accuracy range: 10-100% of calibrated span						
Temperature Drift	0.005% of calibrated span/°C max from 0 to 65°C ambient, 0.01% of calibrated span/°C max from -40 to 0°C ambient						
Input Signal Conditioning	Linear, square root, programmable exponent, or round horizontal tank volume calculation						
Multi-Point Linearization	2 to 32 points						
Programmable Exponent	User selectable from 1.0001 to 2.9999 for open channel flow						
Round Horizontal Tank	Diameter & Length: 999.999 inch or cm calculates volume in gallons or liters respectively.						
Low-Flow Cutoff	0.0 to 999,999.9 (0 disables cutoff function). Point below at which display always shows zero.						
Decimal Point	Up to five decimal places or none: <i>dddddd</i> , <i>ddddd</i> , <i>dddd</i> , <i>ddd</i> , <i>dd</i> , or <i>dddddd</i>						
Calibration Range	<table border="1"> <thead> <tr> <th>Input Range</th> <th>Minimum Span</th> </tr> </thead> <tbody> <tr> <td>4-20 mA</td> <td>0.15 mA</td> </tr> <tr> <td>±10 V</td> <td>0.10 V</td> </tr> </tbody> </table> <p>An error message will appear if the input 1 and input 2 signals are too close together.</p>	Input Range	Minimum Span	4-20 mA	0.15 mA	±10 V	0.10 V
Input Range	Minimum Span						
4-20 mA	0.15 mA						
±10 V	0.10 V						
Input Impedance	Voltage ranges: greater than 500 kΩ Current ranges: 50 - 100 Ω (depending on resettable fuse impedance)						
Input Overload	Current input protected by resettable fuse, 30 VDC max. Fuse resets automatically after fault is removed.						
HART Transparency	The meter does not interfere with existing HART communications; it displays the 4-20 mA primary variable and it allows the HART communications to pass through without interruption. The meter is not affected if a HART communicator is connected to the loop. The meter does not display secondary HART variables.						

Rate/Totalizer

Rate Display Indication	-99999 to 999999, lead zero blanking. "R" LED illuminates while displaying rate.
--------------------------------	--

Total Display & Total Overflow	0 to 999,999; automatic lead zero blanking. "T" LED is illuminated while displaying total or grand total. Up to 999,999,999 with total-overflow feature. "oF" is displayed to the left of total overflow and ▲ LED is illuminated.
Total Decimal Point	Up to five decimal places or none: <i>dddddd</i> , <i>ddddd</i> , <i>dddd</i> , <i>ddd</i> , <i>dd</i> , or <i>dddddd</i> Total decimal point is independent of rate decimal point.
Totalizer	Calculates total based on rate and field programmable multiplier to display total in engineering units. Time base must be selected according to the time units in which the rate is displayed.
Totalizer Rollover	Totalizer rolls over when display exceeds 999,999,999. Relay status reflects display.
Total Overflow Override	Program total reset for automatic with 0.1 second delay and set point 1 for 999,999
Totalizer Presets	Up to eight, user selectable under setup menu. Any set point can be assigned to total and may be programmed anywhere in the range of the meter for total alarm indication.
Programmable Delay On Release	0.1 and 999.9 seconds; applied to the first relay assigned to total or grand total. If the meter is programmed to reset total to zero automatically when the preset is reached, then a delay will occur before the total is reset.
Total Reset	User selectable via front panel button, F4 terminal at back of meter, external contact closure on digital inputs, automatically via user selectable preset value and time delay, or through serial communications.
Total Reset Password	Total and grand total passwords may be entered to prevent resetting the total or grand total from the front panel.
Non-Resettable Total	The grand total can be programmed as a non-resettable total by entering the password "050873".

⚠ CAUTION

- Once the Grand Total has been programmed as "non-resettable" the feature **CANNOT** be disabled.

Relays

Rating	2 or 4 SPDT (Form C) internal and/or 4 SPST (Form A) external; rated 3 A @ 30 VDC and 125/250 VAC resistive load; 1/14 HP (\approx 50 W) @ 125/250 VAC for inductive loads
Noise Suppression	Noise suppression is recommended for each relay contact switching inductive loads. See <i>Switching Inductive Loads</i> on page 16 for details.
Relay Assignment	Relays may be assigned to rate, total, or grand total.
Deadband	0-100% of span, user programmable
High or Low Alarm	User may program any alarm for high or low trip point. Unused alarm LEDs and relays may be disabled (turn off).
Relay Operation	<ul style="list-style-type: none"> • Automatic (non-latching) and/or manual reset • Latching (requires manual acknowledge) with or without clear • Pump alternation control (2-8 relays) • Sampling (based on set point and time) • Off (disable unused relays and enable Interlock feature) • Manual on/off control mode
Relay Reset	User selectable via front panel button, F4 terminal at back of meter, external contact closure on digital inputs, automatically via user selectable preset value and time delay, or through serial communications.
Time Delay	0 to 999.9 seconds, on & off relay time delays. Programmable and independent for each relay.
Fail-Safe Operation	Programmable and independent for each relay. <i>Note: Relay coil is energized in non-alarm condition. In case of power failure, relay will go to alarm state.</i>
Auto Initialization	When power is applied to the meter, relays will reflect the state of the input to the meter.
Additional Relays	An external module, model PMA-11, is available to add 4 SPST 3 A relays to the meter.

Isolated 4-20 mA Transmitter Output

Output Source	Rate/process, total, grand total, max, min, set points 1-8, or manual control mode		
Scaling Range	1.000 to 23.000 mA for any display range.		
Calibration	Factory calibrated: 4.000 to 20.000 = 4-20 mA output		
Analog Out Programming	23.000 mA maximum for all parameters: Overage, underrange, max, min, and break		
Accuracy	$\pm 0.1\%$ FS ± 0.004 mA		
Temperature Drift	0.4 μ A/ $^{\circ}$ C max from 0 to 65 $^{\circ}$ C ambient, 0.8 μ A/ $^{\circ}$ C max from -40 to 0 $^{\circ}$ C ambient <i>Note: Analog output drift is separate from input drift.</i>		
Isolated Transmitter Power Supply	Terminals I+ & R: 24 VDC $\pm 10\%$. May be used to power the 4-20 mA output or other devices. All models rated @ 40 mA max.		
External Loop Power Supply	35 VDC maximum		
Output Loop Resistance	Power supply	Minimum	Maximum
	24 VDC	10 Ω	700 Ω
	35 VDC (external)	100 Ω	1200 Ω
Additional 4-20 mA Outputs	The PD659-1MA-2MA can split the optional 4-20 mA output into two isolated 4-20 mA outputs		
0-10 VDC Output	The PD659-1MA-1V can convert the optional 4-20 mA output to a 0-10 VDC output		

USB Connection

Function	Programming only
Compatibility	USB 2.0 Standard, Compliant
Connector Type	Micro-B receptacle
Cable	USB A Male to Micro-B Cable
Driver	Microsoft® Windows® XP/Vista/7/8/10
Power	USB port provides power to the meter. DO NOT apply AC or DC power to the meter while the USB port is in use.

On-Board Digital Input (F4)

Function	Reset total, remote operation of front-panel buttons, acknowledge/reset relays, reset max/min values. See <i>Function Keys & Digital I/O Available Settings</i> on page 39 for a complete list of capabilities.
Contacts	3.3 VDC on contact. Connect normally open contacts across F4 to COM
Logic Levels	Logic High: 3 to 5 VDC Logic Low: 0 to 1.25 VDC
Additional I/O	Up to 2 external modules, model PMA-12 with 4 digital inputs and 4 digital outputs each can be added.

Modbus® RTU Serial Communications

Slave Id	1 – 247 (Meter address)
Baud Rate	300 - 19,200 bps
Transmit Time Delay	Programmable between 0 and 199 ms
Data	8 bit (1 start bit, 1 or 2 stop bits)
Parity	Even, Odd, or None with 1 or 2 stop bits
Byte-To-Byte Timeout	0.01 – 2.54 second
Turn Around Delay	Less than 2 ms (fixed)

Note: Refer to the APM Modbus Register Tables located at www.dwyer-inst.com for details.

Panel Meter Pro

System Requirements	Microsoft® Windows® XP/Vista/7/8/10
Communications	USB 2.0 (for programming only) (Standard USB A to Micro USB B) RS-232 adapter, RS-485 adapter and RS-485 to USB converter (programming, monitoring, and data logging)
Configuration	Configure meters one at a time
Power	USB port provides power to the meter. DO NOT apply AC or DC power to the meter while the USB port is in use.

Compliance Information

Safety

UL & c-UL Listed	USA & Canada UL 508 Industrial Control Equipment
UL File Number	E212517
Front Panel	UL Type 4X, NEMA 4X, IP65; panel gasket provided
Low Voltage Directive	EN 61010-1:2010 Safety requirements for measurement, control, and laboratory use

Electromagnetic Compatibility

Emissions	EN 55022:2010 Class A ITE emissions requirements
Radiated Emissions	Class A
AC Mains Conducted Emissions	Class A
Immunity	EN 61326-1:2013 Measurement, control, and laboratory equipment EN 61000-6-2:2005 EMC heavy industrial generic immunity standard
RFI - Amplitude Modulated	80 -1000 MHz 10 V/m 80% AM (1 kHz) 1.4 - 2.0 GHz 3 V/m 80% AM (1 kHz) 2.0 - 2.7 GHz 1 V/m 80% AM (1 kHz)
Electrical Fast Transients	±2kV AC mains, ±1kV other
Electrostatic Discharge	±4kV contact, ±8kV air
RFI - Conducted	10V, 0.15-80 MHz, 1kHz 80% AM
AC Surge	±2kV Common, ±1kV Differential
Surge	1KV (CM)
Power-Frequency Magnetic Field	30 A/m 70%V for 0.5 period
Voltage Dips	40%V for 5 & 50 periods 70%V for 25 periods
Voltage Interruptions	<5%V for 250 periods

Note:

Testing was conducted on meters installed through the covers of grounded metal enclosures with cable shields grounded at the point of entry representing installations designed to optimize EMC performance.

Safety Information

⚠ CAUTION

- Read complete instructions prior to installation and operation of the meter.

⚠ WARNINGS

- Risk of electric shock or personal injury.
- Hazardous voltages exist within enclosure. Installation and service should be performed only by trained service personnel.

Installation

There is no need to remove the meter from its case to complete the installation, wiring, and setup of the meter for most applications. Instructions are provided for changing the transmitter power supply to output 5 or 10 VDC instead of 24 VDC. See *Figure 4: Transmitter Supply Voltage Selection* on page 14.

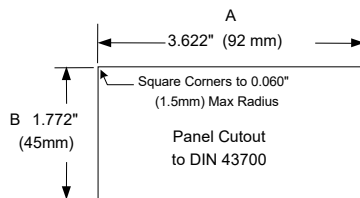
Unpacking

Remove the meter from box. Inspect the packaging and contents for damage. Report damages, if any, to the carrier.

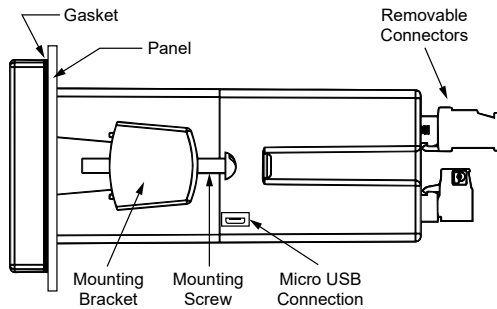
If any part is missing or the meter malfunctions, please contact your supplier or the factory for assistance.

Panel Mounting Instructions

- Prepare a standard 1/8 DIN panel cutout – 3.622" x 1.772" (92 mm x 45 mm). Refer to *Figure 1: 1/8 DIN Panel Cutout and Mounting* below for more details.
- Clearance: allow at least 6.0" (152 mm) behind the panel for wiring.
- Panel thickness: 0.04" - 0.25" (1.0 mm - 6.4 mm). Recommended minimum panel thickness to maintain Type 4X rating: 0.06" (1.5 mm) steel panel, 0.16" (4.1 mm) plastic panel.
- Remove the two mounting brackets provided with the meter (back-off the two screws so that there is 1/4" (6.4 mm) or less through the bracket. Slide the bracket toward the front of the case and remove).
- Insert meter into the panel cutout.
- Install mounting brackets and tighten the screws against the panel. To achieve a proper seal, tighten the mounting bracket screws evenly until meter is snug to the panel along its short side. **DO NOT OVER TIGHTEN**, as the rear of the panel may be damaged.



Tolerances:
 A: +0.032 (+0.8mm)
 -0.000 (-0.0mm)
 B: +0.024 (+0.6mm)
 -0.000 (-0.0mm)



DO NOT apply AC or DC power to the meter when using the Micro USB connection.

Figure 1: 1/8 DIN Panel Cutout and Mounting

Mounting Dimensions

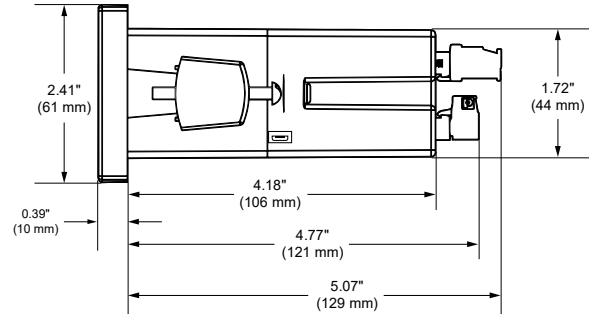


Figure 2. Meter Dimensions - Side View

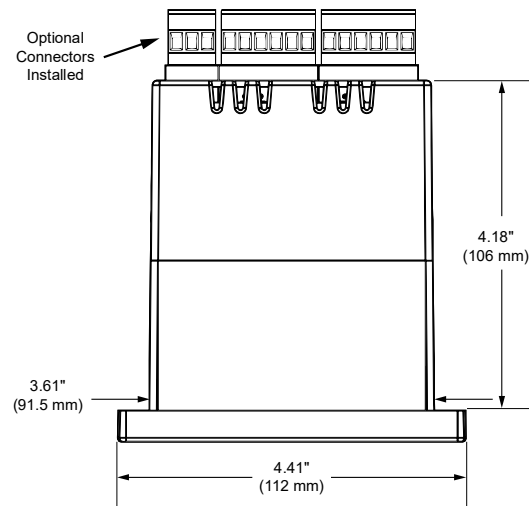


Figure 3. Meter Dimensions - Top View

Installation Overview

We recommend the following sequence for getting the meter into service:

1. **DO NOT** apply AC or DC power to the meter.
2. Connect the meter to the PC with the USB cable provided. **DO NOT** use a different USB cable.
3. If Panel Meter Pro is already installed in your computer, then the program will launch automatically in most systems. If the program does not start automatically, double-click on the MVPPro icon.
4. If MVPPro is not installed, follow the instructions provided below.
5. Use MVPPro to configure the meter for your application.
6. Disconnect the USB cable from the meter.
7. Apply power and signal and check operation of the meter.
8. Install the meter and put into service.
9. Make any programming adjustments using the front panel buttons.

Panel Meter Pro Software

The easiest and quickest way to program your APM meter is to use the FREE Panel Meter Pro programming software. This software is loaded into the meter and connects and installs directly to your PC with the USB cable provided. **DO NOT** use a different USB cable. We recommend that the first thing you do after taking the meter out of the box is connect the APM to your PC with the provided USB cable. **DO NOT** apply AC or DC power to the meter while your PC is connected to the meter as it will disrupt the USB connection. It is not necessary to apply an input signal.

Panel Meter Pro programming software is intuitive, and most customers can get their meter programmed as they like without even looking in the manual.

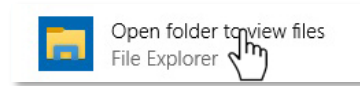
Panel Meter Pro Installation

1. Connect one end of the provided USB cable to the meter and the other end to the computer. The computer will automatically install the driver software it needs to talk to the meter. Follow the on-screen instructions and allow sufficient time for the process to complete. This can take a few minutes. If the process is interrupted, then it could leave the system in an unstable condition.

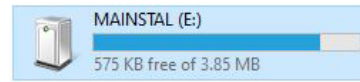
⚠️ WARNINGS

- Only one meter may be connected at a time. Attaching multiple meters will cause a conflict with the meter software.
- **DO NOT** apply AC or DC power to the meter when using the Micro USB connection.

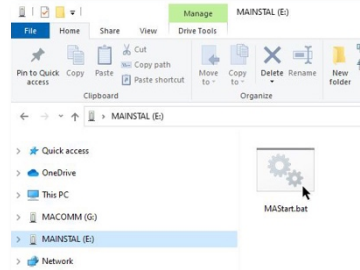
2. Once the driver is installed, an AutoPlay dialog should appear for the drive "MAINSTAL." Click "Open folder to view files."



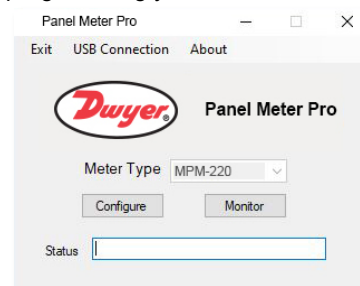
If the computer does not display an AutoPlay dialog for the drive "MAINSTAL," you should open My Computer and double-click on the drive labeled "MAINSTAL."



3. Double-click on the file named "MAStart." The program will open a few windows and install two programs on your computer. Simply follow the on-screen instructions until you see one of the dialogs below. If you receive a "User Account Control" warning, click "Yes."



4. If there is an update available, click the "Update" button to install the new version. Otherwise, click "Configure" to begin programming your meter.



Note: If you decide to update your Panel Meter Pro software, once the installation has completed, you will be asked if you want to update the setup files located on the meter itself. This way, you will always have the most current version on the meter for future installs.

⚠️ WARNING

- **DO NOT** unplug the meter while the new installation files are being written to it. The meter will display μA during the process and you will receive an on-screen notification once the process is complete.

Transmitter Supply Voltage Selection (P+, P-)

All meters, including models equipped with the 12-24 VDC power option, are shipped from the factory configured to provide 24 VDC power for the transmitter or sensor.

If the transmitter requires 5 or 10 VDC excitation, the internal jumper J4 must be configured accordingly.

To access the voltage selection jumper:

1. Remove all the connectors.
2. Unscrew the back cover.
3. Slide the back cover about 1 inch.
4. Configure the J4 jumper, located behind the input signal connector, for the desired excitation voltage as shown.

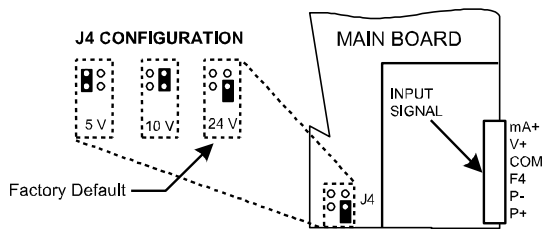


Figure 4: Transmitter Supply Voltage Selection

Connections

All connections are made to removable screw terminal connectors located at the rear of the meter.

CAUTION

- Use copper wire with 60°C or 60/75°C insulation for all line voltage connections. Observe all safety regulations. Electrical wiring should be performed in accordance with all applicable national, state, and local codes to prevent damage to the meter and ensure personnel safety.

Connectors Labeling

The connectors' label, affixed to the meter, shows the location of all connectors available with requested configuration.

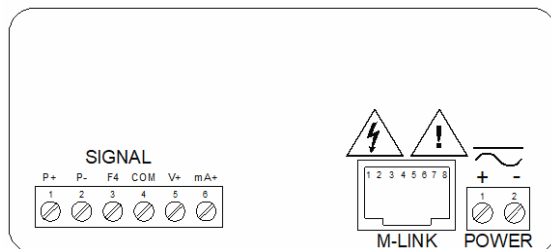


Figure 5. APM-100 & APM-200 Connectors Label

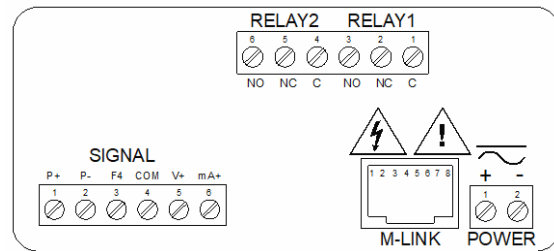


Figure 6. APM-120 & APM-220 Connectors Label

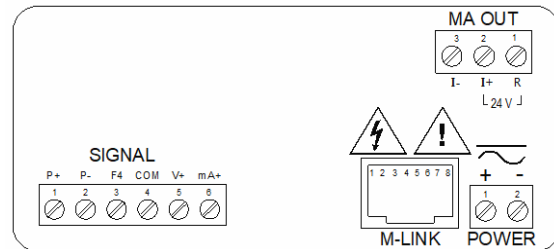


Figure 7. APM-101 & APM-201 Connectors Label

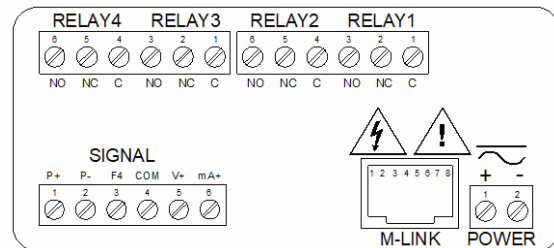


Figure 8. APM-140 & APM-240 Connectors Label

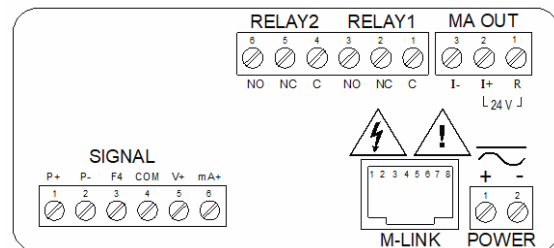


Figure 9. APM-121 & APM-221 Connectors Label

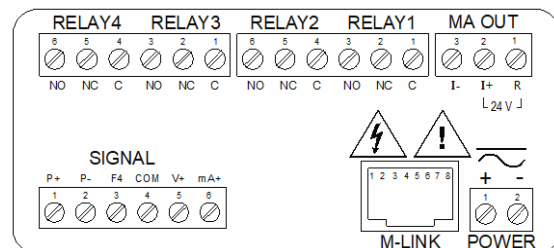


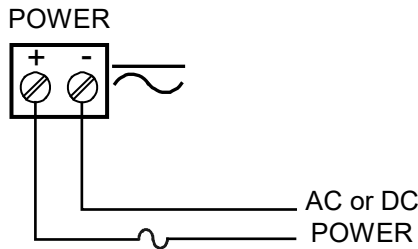
Figure 10. APM-141 & APM-241 Connectors Label

WARNING

- **DO NOT** connect any equipment other than Dwyer's expansion modules, cables, or meters to the RJ45 M LINK connector. Otherwise damage will occur to the equipment and the meter.

Power Connections

Power connections are made to a two-terminal connector labeled POWER. The meter will operate regardless of DC polarity connection. The + and - symbols are only a suggested wiring convention.



Required External Fuse:
5 A max, 250 V Slow Blow

Figure 11: Power Connections

Signal Connections

Signal connections are made to a six-terminal connector labeled SIGNAL. The COM (common) terminal is the return for the 4-20 mA and the ±10 V input signals.

Current and Voltage Connections

The following figures show examples of current and voltage connections.

There are no switches or jumpers to set up for current and voltage inputs. Setup and programming is performed through the front panel buttons.

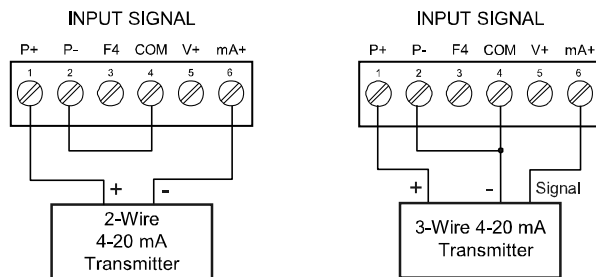


Figure 12: Transmitter Powered by Internal Supply

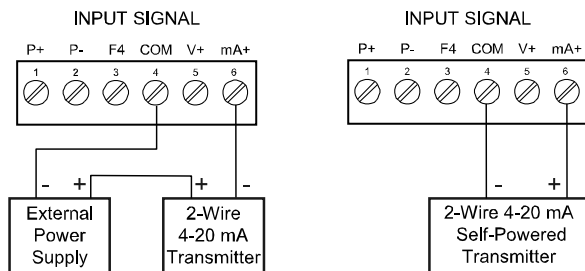


Figure 13: Transmitter Powered by External Supply or Self-Powered

The current input is protected against current overload by a resettable fuse. The display may or may not show a fault condition depending on the nature of the overload.

The fuse limits the current to a safe level when it detects a fault condition, and automatically resets itself when the fault condition is removed.

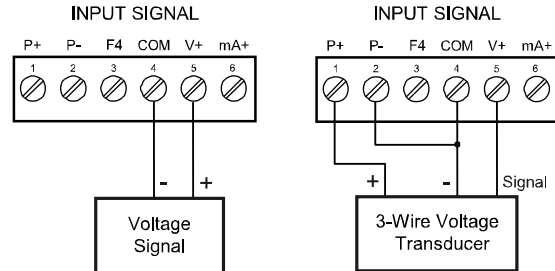


Figure 14: Voltage Input Connections

The meter is capable of accepting any voltage from -10 VDC to +10 VDC.

Modbus RTU Serial Communications

Serial communications connection is made to an RJ45 connector labeled M-LINK. For interfacing to the MPM, use the PMA-01 for RS-232 or the PMA-03 for RS-485. The same port is used for interfacing with all expansion modules (e.g. external relays, digital I/O).

Relay Connections

Relay connections are made to two six-terminal connectors labeled RELAY1 – RELAY4. Each relay's C terminal is common only to the normally open (NO) and normally closed (NC) contacts of the corresponding relay. The relays' C terminals should not be confused with the COM (common) terminal of the INPUT SIGNAL connector.

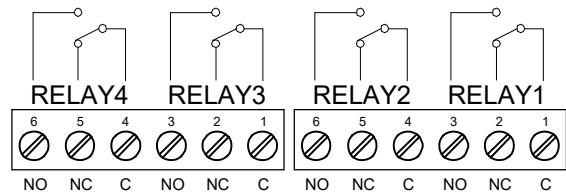


Figure 15: Relay Connections

Switching Inductive Loads

The use of snubbers to suppress electrical noise is strongly recommended when switching inductive loads to prevent disrupting the microprocessor's operation. The snubbers also prolong the life of the relay contacts. Suppression can be obtained with resistor-capacitor (RC) networks assembled by the user or purchased as complete assemblies. Refer to the following circuits for RC network assembly and installation:

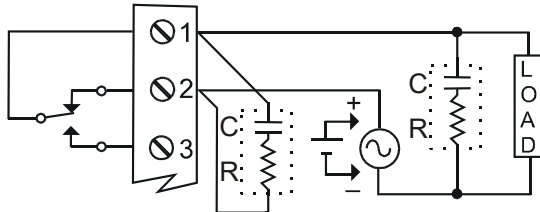


Figure 16: AC and DC Loads Protection

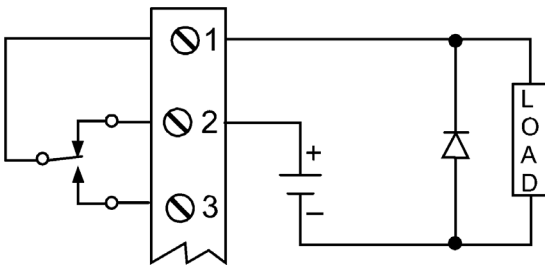
Choose R and C as follows:

R: 0.5 to 1 Ω for each volt across the contacts

C: 0.5 to 1 μF for each amp through closed contacts

Notes:

1. Use capacitors rated for 250 VAC.
2. RC networks may affect load release time of solenoid loads. Check to confirm proper operation.
3. Install the RC network at the meter's relay screw terminals. An RC network may also be installed across the load. Experiment for best results.



Use a diode with a reverse breakdown voltage two to three times the circuit voltage and forward current at least as large as the load current.

Figure 17: Low Voltage DC Loads Protection

RC Networks (Snubbers) Available from Dwyer Instruments, Inc.

RC networks are available from Dwyer Instruments, Inc. and should be applied to each relay contact switching an inductive load. Part number: PMA-13.

Note: Relays are de-rated to 1/14th HP (50 watts) with an inductive load.

F4 Digital Input Connections

A digital input, F4, is standard on the meter. This digital input should be connected with a normally open contact across F4 and COM, or with an active low signal applied to F4. It can be used to reset the total, for remote operation of front-panel buttons, to acknowledge/reset relays, or to reset max/min values. See *Function Keys & Digital I/O Available Settings* on page 39 for a complete list of capabilities.

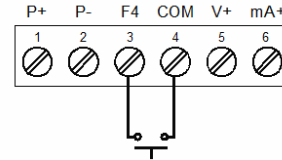


Figure 18: F4 Digital Input Connections

4-20 mA Output Connections

Connections for the 4-20 mA transmitter output are made to the connector terminals labeled mA OUT. The 4-20 mA output may be powered internally or from an external power supply.

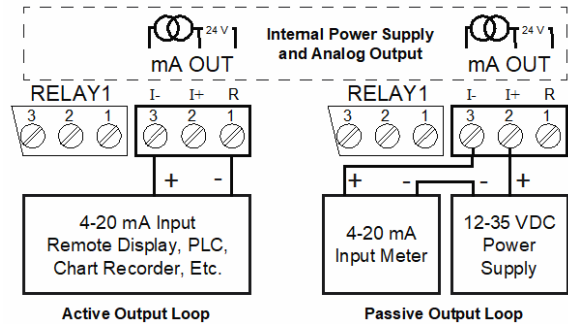


Figure 19: 4-20 mA Output Connections

Analog Output Power Supply

The internal 24 VDC power supply powering the analog output may be used to power other devices, if the analog output is not used. The I+ terminal is the +24 V and the R terminal is the return.

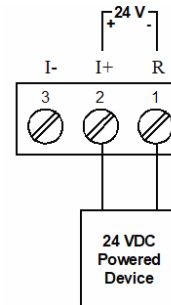


Figure 20. Analog Output Supply Powering Other Devices

External Relay & Digital I/O Connections

The relay and the digital I/O expansion modules PMA-11 & PMA-12 are connected to the meter using a CAT5 cable provided with each module. The two RJ45 connectors on the expansion modules are identical and interchangeable; they are used to connect additional modules to the system.

Note: The jumper located between the RJ45 connectors of the PMA-12 must be removed on the second digital I/O module in order for the system to recognize it as module #2.

⚠ WARNING

- **DO NOT** connect or disconnect the expansion modules with the power on! More detailed instructions are provided with each optional expansion module.

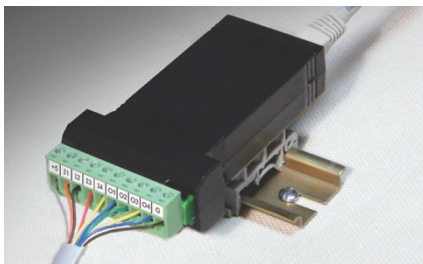


Figure 21. Expansion Module & DIN Rail Mounting Kit

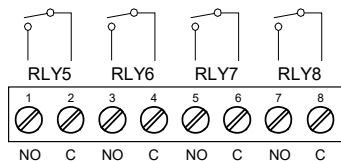


Figure 22. External Relays Module Connections

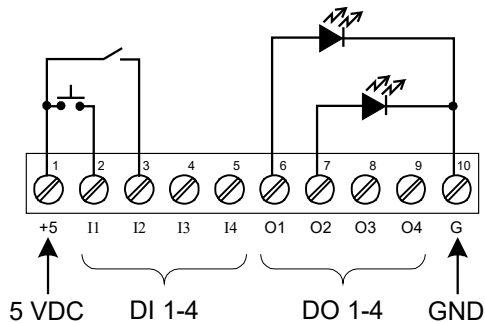


Figure 23. Digital I/O Module Connections

Interlock Relay Feature

As the name implies, the interlock relay feature reassigns one, or more, alarm/control relays for use as interlock relay(s). Interlock contact(s) are wired to digital input(s) and activate the interlock relay. This feature is enabled by configuring the relay, and the corresponding digital input(s), see *Setting Up the Interlock Relay (Force On) Feature* on page 32.

In the example below, an Interlock Contact switch is connected to a digital input, which will be used to force on (energize) the Interlock Relay. The Interlock Relay and the Control Relay are connected in series with the load.

- When the Interlock Contact is closed (safe), the Interlock Relay energizes, allowing power to flow to the Control Relay; the corresponding front panel LED is on.
- When the Interlock Contact is open, the corresponding front panel LED flashes (locked out), the Interlock Relay is de-energized, preventing power from flowing to the Control Relay and the load.

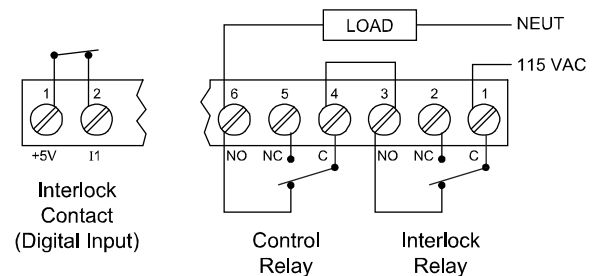


Figure 24. Interlock Connection

Setup and Programming

There is **no need to recalibrate** the meter when first received from the factory.
 The meter is **factory calibrated** prior to shipment for milliamps and volts with calibration equipment that is certified to NIST standards.

Overview

There are no jumpers to set for the meter input selection.

Setup and programming is done using Panel Meter Pro or through the front panel buttons.

After power and input signal connections have been completed and verified, apply power to the meter.

Front Panel Buttons and Status LED Indicators



Button	Description	LED	Status
	Menu	1-8	Alarm 1 – 8 indicators
	Right arrow/F1	1-8 M	Flashing: Relay in manual control mode
	Up arrow/F2	R	Rate indicator
	Enter/F3	T	Total indicator or Flashing: Tare
Note: <i>F4 is a digital input. Alarms 5-8 are enabled when relay expansion module is installed.</i>		G T	Grand Total indicator
		▲	Total overflow indicator
Note: <i>LEDs for relays in manual mode flash with the "M" LED every 10 seconds. "M" flashing by itself indicates Aout – manual control is used.</i>			

- Press the Menu button to enter or exit the Programming Mode at any time.
- Press the Right arrow button to move to the next digit during digit or decimal point programming.
- Press or hold the Up arrow button to scroll through the menus, decimal point, or to increment the value of a digit.
- Press the Enter button to access a menu or to accept a setting.
- Press and hold the Menu button for three seconds to access the advanced features of the meter.

Display Functions & Messages

The meter displays various functions and messages during setup, programming, and operation. The following table shows the main menu functions and messages in the order they appear in the menu.

Display Functions & Messages		
Display	Parameter	Action/Setting Description
ሀይቲሆፕ	Setup	Enter Setup menu
ከፖህት	Input	Enter Input selection menu
ጠገገ	4-20 mA	Set meter for 4-20 mA input
ሠዕረት	0-10 VDC	Set meter for ±10 VDC input
ኔዕተጸሊ	Total	Enable or disable totalizer features
ደ-ሀርጸሊ	Dual-scale	Enter d-SCAL menu and select Yes for dual- scale or No for single scale display
ሠከኔህ	Units	Select the display units/tags
ገጸረጽ	Rate	Select the display units for rate
ኔዕተጸሊ	Total	Select the display units for total
ፍትዕተጸሊ	Grand Total	Select the display units for grand total
ደጂ ሆት	Decimal point	Set decimal point for rate, total, grand total
ፕሮግ	Program	Enter the Program menu
ከፎገጸሊ	Input Calibration	Enter the Input Calibration menu
ሀርጸሊ	Scale	Enter the Scale menu
ፎገጸሊ	Calibrate	Enter the Calibrate menu
ከፖ 1	Input 1	Calibrate input 1 signal or program input 1 value
ደ.ሀ 1	Display 1	Program display 1 value
ከፖ 2	Input 2	Calibrate input 2 signal or program input 2 value (up to 32 points)
ደ.ሀ 2	Display 2	Program display 2 value (up to 32 points)
ፎገጸሊ	Error	Error, calibration not successful, check signal or programmed value
ኔ ኔፅ	Total time base	Program total time base
ኔ ፎፍ	Total conversion factor	Program total conversion factor
ኔ ገህት	Total reset	Program total rest mode: auto or manual
ፍት ኔፅ	Grand total time base	Program grand total time base

Display Functions & Messages		
Display	Parameter	Action/Setting Description
ፍት ፎፍ	Grand total conversion factor	Program grand total conversion factor
ፍት ገህት	Grand total reset	Program grand total rest mode: auto or manual
ጸህጐ	Automatic	Press Enter to set automatic total reset
ኔ ደህህ	Time delay	Program time delay for total auto reset
ጠገገ	Manual	Press Enter to reset total manually
ደሀፕሊደሃ	Display	Enter the Display menu
ፊ ከፎ 1	Line 1	Press Enter to assign the Main display parameter (default: PV or rate)
ፊ ከፎ 2	Line 2	Press Enter to assign the small display parameter (default: total)
ደ- ከኔህ	Display intensity	Set display intensity level from 1 to 8
ገጸረጸ	Relay	Enter the Relay menu
ጸህ ፍት	Assignment	Assign relays to rate, total, or grand total
ጸህ ፍት 1	Assign 1	Relay 1 assignment
ኔዕተጸሊ	Total	Assign relay to total
ፍት ኔዕተጸሊ	Grand total	Assign relay to grand total
ጠገ ጸህህ	Modbus	Select to display Modbus input or to assign Modbus input as the analog output source
ገጸረጸ	Rate	Assign relay to rate
ገህህ 1	Relay 1	Relay 1 setup
ገህት 1	Action 1	Set relay 1 action
ጸህጐ	Automatic	Set relay for automatic reset
ጸ-ጠገገ	Auto-manual	Set relay for automatic & manual reset any time
ፊጸጸጸ	Latching	Set relay for latching operation (relays assigned to rate)
ፊት-ፎገጸ	Latching-cleared	Set relay for latching operation with manual reset only after alarm condition has cleared (relays assigned to rate)
ጸሊጸጸጸ	Alternate	Set relay for pump alternation control (relays assigned to rate)
ሀጸጠፕሊ	Sampling	Set relay for sampling operation

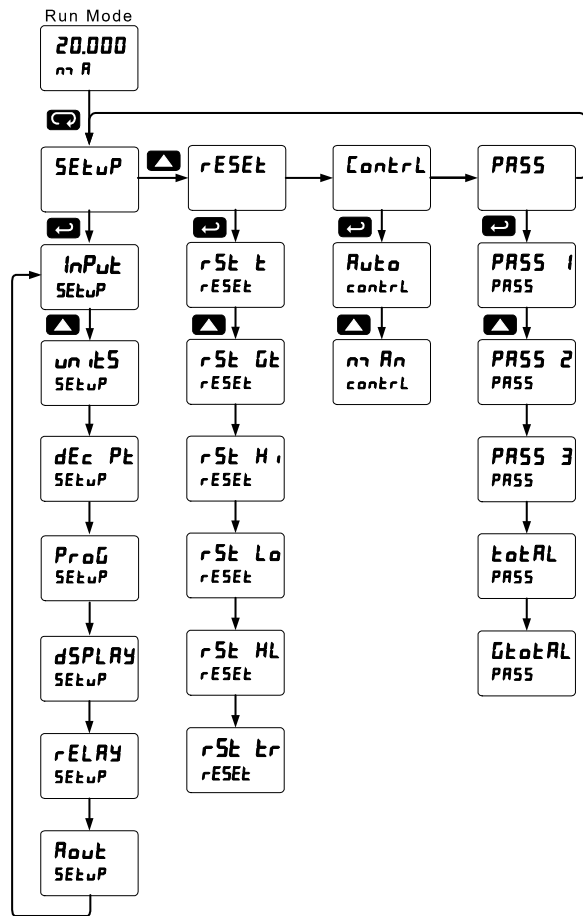
Display Functions & Messages		
Display	Parameter	Action/Setting Description
0FF	Off	Disable relay and front panel status LED (Select Off to enable Interlock feature)
SEt 1	Set 1	Program set point 1
rSEt 1	Reset 1	Program reset point 1
rLY 2	Relay 2	Relays 2-8 setup <i>Note: Relays 5-8 are shown, only if expansion relay module is installed.</i>
FRiLSF	Fail-safe	Enter <i>Fail-safe</i> menu
FLS 1	Fail-safe 1	Set relay 1 fail-safe operation
on	On	Enable fail-safe operation
oFF	Fail-safe off	Disable fail-safe operation
dELAY	Delay	Enter relay <i>Time Delay</i> menu
dLY 1	Delay 1	Enter relay 1 time delay setup
On 1	On	Set relay 1 On time delay
0FF 1	Off	Set relay 1 Off time delay
brERR	Loop break	Set relay condition if loop break detected (For mA input only)
ignore	Ignore	Ignore loop break condition (Processed as a low signal condition)
On	On	Relay goes to alarm condition when loop break is detected
0FF	Off	Relay goes to non-alarm condition when loop break is detected
Rout	Analog output	Enter the <i>Analog output</i> scaling menu
d1S 1	Display 1	Program display 1 value
Out 1	Output 1	Program output 1 value (e.g. 4.000 mA)
d1S 2	Display 2	Program display 2 value
Out 2	Output 2	Program output 2 value (e.g. 20.000 mA)
rESEt	Reset	Press Enter to access the <i>Reset</i> menu
rSEt Gt	Reset grand total	Press Enter to reset grand total
rSEt Hi	Reset high	Press Enter to reset max display
rSEt Lo	Reset low	Press Enter to reset min display
rSEt HL	Reset high & low	Press Enter to reset max & min displays
rSEt t	Reset total	Press Enter to reset total

Display Functions & Messages		
Display	Parameter	Action/Setting Description
rSEt tr	Reset tare	Reset tare (Used when <i>LoLR</i> is on only)
Control	Control	Enter <i>Control</i> menu
Ruto	Automatic	Press Enter to set relays and analog output for automatic operation
man	Manual	Press Enter to manually control relays or analog output operation
PR55	Password	Enter the <i>Password</i> menu
PR55 1	Password 1	Set or enter Password 1
PR55 2	Password 2	Set or enter Password 2
PR55 3	Password 3	Set or enter Password 3
LoLR	Total password	Set or enter password for manual reset
GLoLR	Grand total password	Set or enter password for manual reset
nonrSEt	Non-resettable	Non-resettable grand total set after entering "050873" for Gtotal password
unLoc	Unlocked	Program password to lock meter
Locd	Locked	Enter password to unlock meter
999999 -999999	Flashing display	Overrange condition Underrange condition

Main Menu

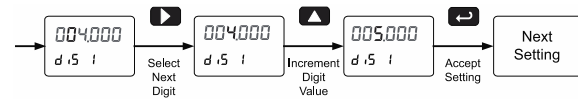
The main menu consists of the most commonly used functions: *Reset*, *Control*, *Setup*, and *Password*.

- Press Menu button to enter Programming Mode, then press the Up arrow button to scroll main menu.
- Press Menu, at any time, to exit and return to Run Mode. Changes made to settings prior to pressing Enter are not saved.
- Changes to the settings are saved to memory only after pressing Enter/F3.
- The display moves to the next menu every time a setting is accepted by pressing Enter/F3.



Setting Numeric Values

The numeric values are set using the Right and Up arrow buttons. Press Right arrow to select next digit and Up arrow to increment digit value. The digit being changed is displayed brighter than the rest. Press and hold Up to auto-increment the display value. If negative numbers are allowed, the first digit position will include a negative symbol (-) after the 9. Press the Enter button, at any time, to accept a setting or Menu button to exit without saving changes.

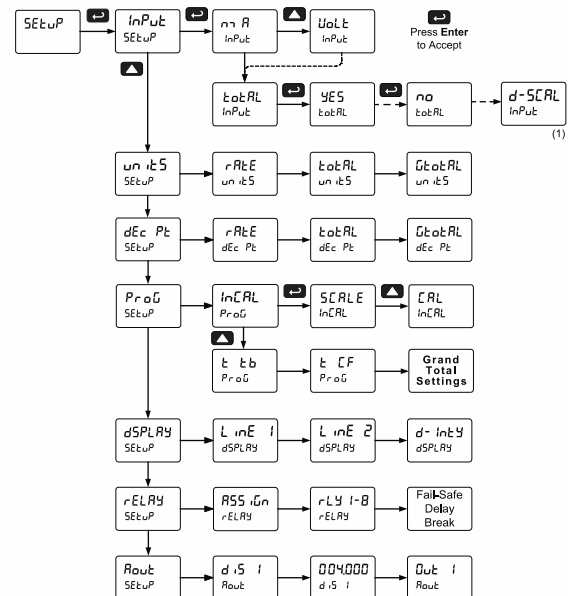


Setting Up the Rate/Totalizer Meter (SEtUP)

The *Setup* menu is used to select:

1. Input signal the meter will accept and enable totalizer features
2. Select the display units/tags
3. Select the decimal point position
4. Meter programming & input calibration
5. Display parameter and intensity
6. Relay operation
7. 4-20 mA analog output scaling

Press the Enter button to access any menu or press Up arrow button to scroll through choices. Press the Menu button to exit at any time.



Notes:
1. When tOtAL is set to no, the meter now functions as a Process Meter. Please refer to d-SCRL for more information.

Setting the Input Signal (Input)

Enter the *Input* menu to set up the meter to display current (mA) or voltage (VDC) inputs.

The current input is capable of accepting any signal from 0 to 20 mA. Select current input to accept 0-20 mA or 4-20 mA signals.

The voltage input is capable of accepting any signal from -10 to +10 VDC. Select voltage input to accept 0-5, 1-5, 0-10, or ±10 VDC signals.

Setting the Totalizer Features (Total)

To simply not display the total, select alternative display parameters in the display (Display) menu.

Enable or disable the totalizer features by selecting "Yes" or "no" after the input type has been set up. If the totalizer features are disabled, all the totalizer features and functions are hidden from the menus. Level and process meter features and functions are added to the menus.

If disabling the Total parameter by selecting no, please refer to the MPM Panel Meter manual available at www.dwyer-inst.com for instructions on setting up the meter parameters.

Notes:

1. The totalizer continues working in the background.
2. When selecting "no" for Total, the meter now functions as a MPM Process Meter. We *strongly* suggest that you download and use the MPM instruction manual from our website www.dwyer-inst.com while in this mode of operation.

Setting the Display Units or Custom Tags (Units)

Use this menu to enter the unit or custom tag that will be displayed if:

1. Alternating rate, total, or grand total and units is selected in the Units menu, or
2. d units is selected as the line 2 parameter.

See the *Setting the Display Parameter & Intensity (Display)* flow chart on page 24 to access the display menu to show the unit or tag on line 2. The engineering units or custom legends can be set using the following 7-segment character set:

Display	Character
0	0
1	1
2	2
3	3
4	4
5	5
6	6
7	7
8	8
9	9
A	A
b	b
C	C
c	c
d	d
E	E
F	F
G	G
g	g
H	H
h	h
I	I
i	i
J	J

Display	Character
K	K
L	L
m	m
n	n
O	O
o	o
P	P
q	q
r	r
S	S
t	t
u	u
V	V
w	w
X	X
Y	Y
Z	Z
-	-
/	/
]]
[[
=	=
Degree(<)	Degree(<)
Space	Space

Notes:

Degree symbol represented by (<) if programming with Panel Meter Pro.

The letters "m" and "w" use two 7-segment LEDs each; when selected the characters to the right are shifted one position.

Press and hold up arrow to auto-scroll the characters in the display.

Setting the Decimal Point (dECPt)

The decimal point may be set with up to five decimal places or with no decimal point at all. The rate, total, and grand total decimal points are independent. The decimal point selection should be made prior to scaling, calibrating or programming the meter. Pressing the Right arrow moves the decimal point one place to the right until no decimal point is displayed then it moves to the leftmost position. Pressing the Up arrow moves the decimal point one place to the left.

Programming the Rate/Totalizer (Prog)

The meter may either be scaled (SCALE) without applying an input or calibrated (CAL) by applying an input. The meter comes factory calibrated to NIST standards, so for initial setup, it is recommended to use the (SCALE) function.

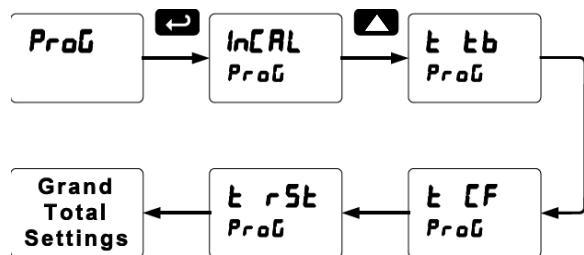
The Program menu contains the following menus:

1. Scale without a signal source
2. Calibrate with a calibrated signal source
3. Total time base & conversion factor
4. Grand total time base & conversion factor
5. Total reset mode for total & grand total

Process inputs may be scaled or calibrated to any display within the range of the meter.

Note: The Scale and Calibrate functions are exclusive of each other. The meter uses the last function programmed. Only one of these methods can be employed at a time. The Scale and Calibrate functions can use up to 32 points (default is 2). The number of points should be set in the Advanced menu prior to scaling and calibration of the meter. See Multi-Point Linearization (LnERR) menu on page 37 for details.

The process input may be calibrated or scaled to any display value within the range of the meter.



Additional parameters, not needed for most applications, are programmed in the Advanced Features menu; see Advanced Features Menu on page 35.

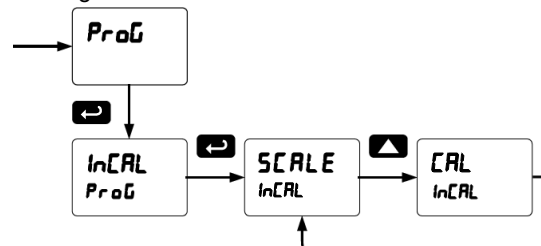
Multi-Point Calibration & Scaling

The meter is set up at the factory for 2-point linear calibration. The number of points for multi-point calibration/scaling is set up in the Advanced Features menu. Up to 32 linearization points may be selected. See Multi-Point Linearization (LnERR) menu on page 37 for details.

Input Calibration Method (InCAL)

There are two methods of calibrating (or scaling) the display to show the correct engineering units.

- Use the Scale menu to enter the scaling without a signal source.
- Use the Calibrate menu to apply a signal from a signal source.

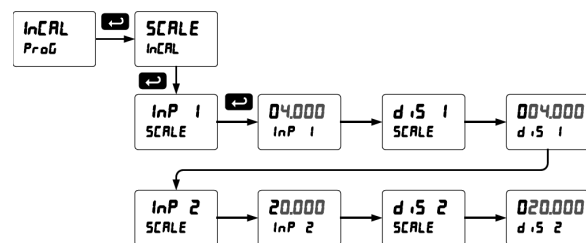


Note: The Scale and Calibrate functions are exclusive of each other. The meter uses the last function programmed. Only one of these methods can be employed at a time. The Scale and Calibrate functions can use up to 32 points (default is 2). The number of points should be set in the Advanced menu prior to scaling and calibration of the meter. See Multi-Point Linearization (LnERR) on page 37 for details.

Scaling the Meter (SCALE)

The process inputs (4-20 mA and ±10 VDC) can be scaled to display the process variable in engineering units.

A signal source is not needed to scale the meter; simply program the inputs and corresponding display values.



Error Message (Error)

An error message indicates that the calibration or scaling process was not successful. After the error message is displayed, the meter reverts to the input prior to the failure during calibration or scaling and to input 1 during internal calibration, allowing the appropriate input signal to be applied or programmed. The error message might be caused by any of the following conditions:

1. Input signal is not connected to the proper terminals or it is connected backwards*.
2. Wrong signal selection in Setup menu*.
3. Minimum input span requirements not maintained.
4. Input 1 signal inadvertently applied to calibrate input 2*.

*Not relevant when scaling the meter.

For instructions on how to program numeric values see *Setting Numeric Values* on page 21.

Minimum Input Span

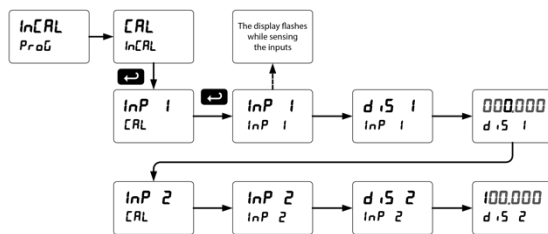
The minimum input span is the minimum difference between input 1 and input 2 signals required to complete the calibration or scaling of the meter.

Input range	Input 1 & input 2 span
4-20 mA	0.15 mA
±10 VDC	0.10 VDC

Calibrating the Meter with External Source (CAL)

The meter can be calibrated to display the process variable in engineering units by applying the appropriate input signal and following the calibration procedure.

The use of a calibrated signal source is strongly recommended to calibrate the meter.

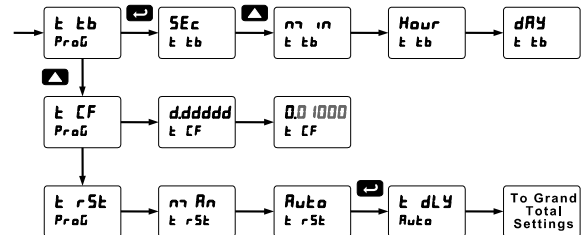


Warm up the meter for at least 15 minutes before performing calibration to ensure specified accuracy.

Time Base, Total Conversion Factor & Total Reset

The time base, total conversion factor, and total reset menus are located in the Program menu.

The total and grand total have their own independent settings. This means that one can be displaying the value in gallons while the other displays in million gallons, liters, m³, etc.



Time Base

The time base is the amount of time over which the rate parameter should accrue. For example, if the rate was ten and the time base was in minutes, then the total would increase by ten every one minute.

Total & Grand Total Conversion Factor

The total & grand total conversion factor is the amount by which the rate is multiplied before it is added to the total or grand total. For Example, if the rate was ten per second and the total conversion factor was 100, the total would increase by 1000 every second. This is useful, for instance, if you want to show rate in gallons and total in thousands of gallons.

Total & Grand Total Reset

The totals can be programmed for automatic or manual reset. In the automatic reset mode, a programmable time delay is available to reset the total or grand total after the assigned preset is reached. The totals can also be reset via the front panel button, via a switch across the on-board F4 terminal, the PMA-12 digital I/O expansion module, or via a Modbus command.

Non-Resettable Totalizer

The total and grand total can be password-protected to prevent unauthorized resets. The grand total can be programmed as a non-resettable total. See *Total Reset Password & Non-Resettable Total* on page 34 for details.

Setting the Display Parameter & Intensity (dSPRAY)

Display line 1 can be programmed to display:

1. Rate value
2. Total or grand total
3. Toggle rate/total
4. Toggle rate/G-total
5. Relay set points
6. Toggle rate and units
7. Toggle total and units
8. Toggle grand total and units
9. Max, min, or max & min values
10. Modbus input

Display line 2 can be programmed to display:

1. Engineering units or custom legends for line 1
2. Rate value
3. Total or grand total
4. Toggle rate/total
5. Toggle rate/G-total
6. Relay set points
7. Toggle rate and units
8. Toggle total and units
9. Toggle grand total and units
10. Max, min, or max & min values
11. Modbus input
12. Off (no display)

Selecting engineering units or custom legends as display line 2 (d unit) will display the unit or tag selected for the rate, total, or grand total displayed on line 1.

For example, if line 1 is set to **Rate**, selecting **d unit** to display on line 2 will have the total appear on line 1, and the total unit appear on line 2.

After setting up the input and the display, press the Menu button to exit programming and skip the rest of the setup menu. Press the Menu button again and the Up arrow to reach the *Program* menu and complete the scaling or calibration of the meter.

Display Flow Rate, Total or Grand Total

Line 1 can be programmed to display flow rate, total, or grand total, and line 2 can be programmed to display flow rate, total, grand total, engineering units, custom legends, or be turned off. Both lines can also display relay set points, or max and min values.



Flow Rate Indicator



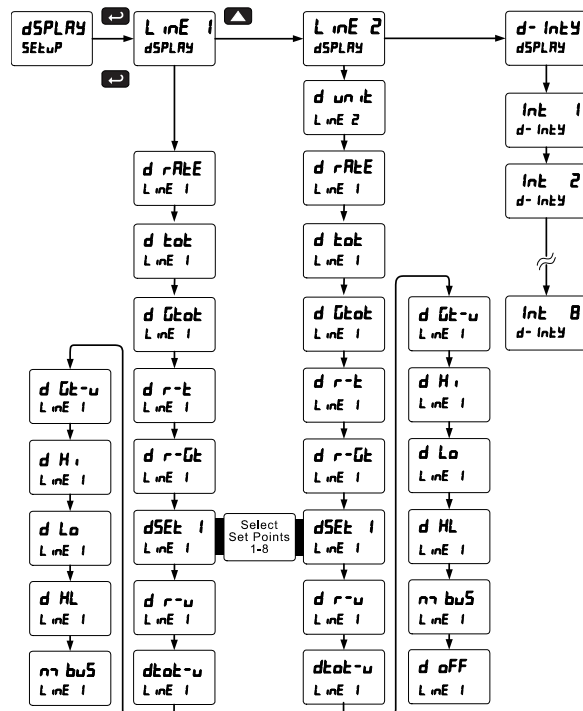
Flow Totalizer



Rate & Total

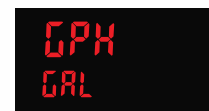


Total & Grand Total



Display Toggling Between Reading & Units

The APM meter can be programmed so that line 1 and line 2 toggle between the reading and their engineering units. For instance, line 1 displays flow rate, line 2 displays total, and the display toggles to show their units.



Display Intensity (d- Inty)

The meter has eight display intensity levels to give the best performance under various lighting conditions. Select intensity 8 for outdoor applications. The default intensity setting is 6.

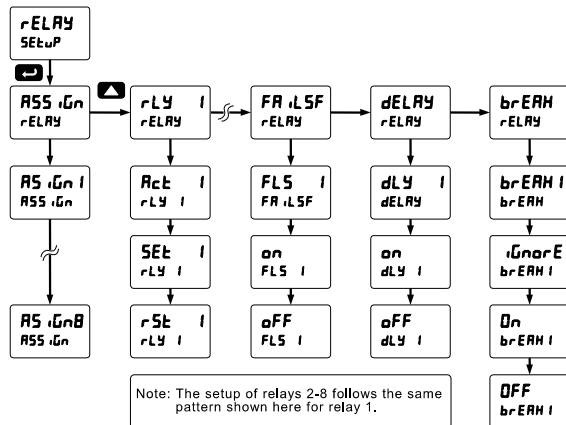
Setting the Relay Operation (rELAY)

This menu is used to set up the operation of the relays.

CAUTION

- During setup, the relays do not follow the input and they will remain in the state found prior to entering the Relay menu.

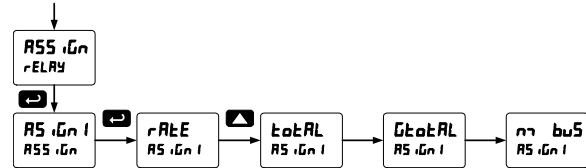
- Relay assignment
 - Rate for low and high alarm
 - Total
 - Grand total
 - Modbus input process variable
- Relay action
 - Automatic reset only (non-latching)
 - Automatic + manual reset at any time (non-latching)
 - Latching (manual reset only)
 - Latching with Clear (manual reset only after alarm condition has cleared)
 - Pump alternation control (automatic reset only)
 - Sampling (the relay is activated for a user-specified time)
 - Off (relay state controlled by Interlock feature)
- Set and reset points
- Fail-safe operation
 - On (enabled)
 - Off (disabled)
- Time delay
 - On delay (0-999.9 seconds)
 - Off delay (0-999.9 seconds)
- Relay action for loss (break) of 4-20 mA input (ignore, on, off)



Relay Assignment (R55 rELAY)

The relays can be assigned to any of the following parameters:

- Rate for low or high alarm indication
- Total for alarm indication
- Grand total for alarm indication
- Modbus input process variable

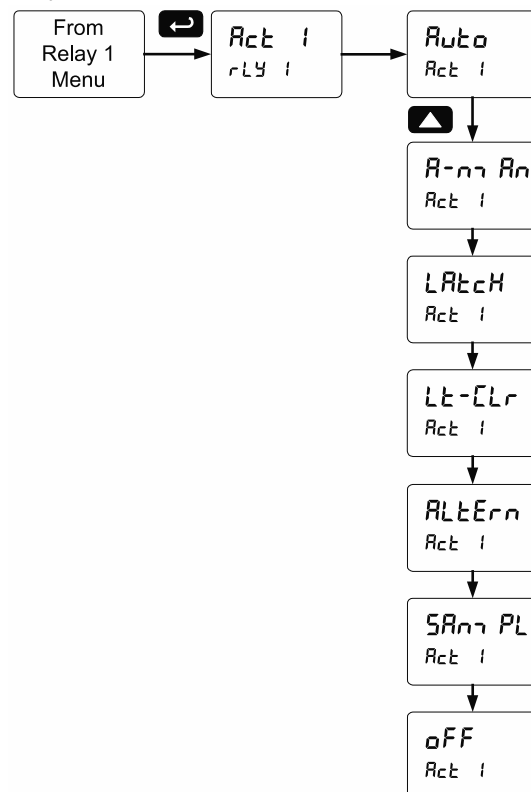


Setting the Relay Action

Operation of the relays is programmed in the Action menu. The relays may be set up for any of the following modes of operation:

- Automatic reset (non-latching)
- Automatic + manual reset at any time (non-latching)
- Latching (manual reset only, at any time)
- Latching with Clear (manual reset only after alarm condition has cleared)
- Pump alternation control (automatic reset only)
- Sampling (the relay is activated for a user-specified time)
- Off (relay state controlled by Interlock feature)

The following graphic shows relay 1 action setup; relay 2-8 are set up in a similar fashion.

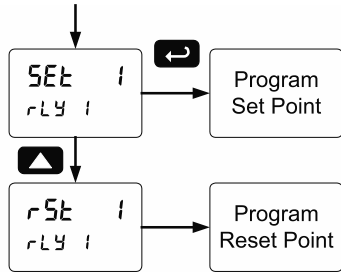


Programming Set and Reset Points

High alarm indication: program set point above reset point.

Low alarm indication: program set point below reset point.

The deadband is determined by the difference between set and reset points. Minimum deadband is one display count. If the set and reset points are programmed with the same value, the relay will reset one count below the set point.



Note: Changes are not saved until the reset point has been accepted.

Setting Fail-Safe Operation

In fail-safe mode of operation, the relay coil is energized when the process variable is within safe limits and the relay coil is de-energized when the alarm condition exists. The fail-safe operation is set independently for each relay. Select **on** to enable or select **off** to disable fail-safe operation.

Programming Time Delay

The *On* and *Off* time delays may be programmed for each relay between 0 and 999.9 seconds. The relays will transfer only after the condition has been maintained for the corresponding time delay.

The *On* time delay is associated with the set point.

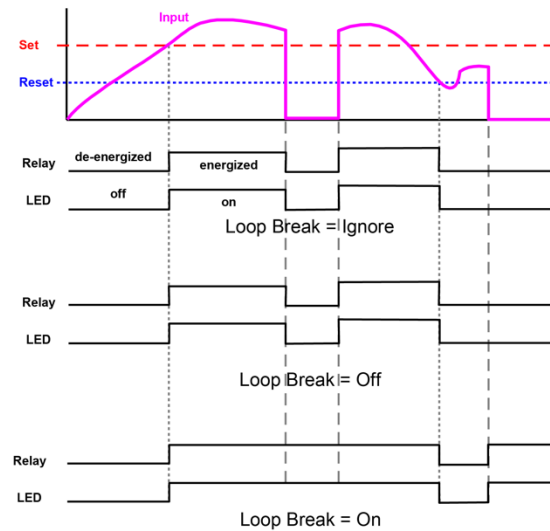
The *Off* time delay is associated with the reset point.

Relay Action for Loss of 4-20 mA Input (Loop Break)

A loop break condition is triggered when the 4-20 mA input signal drops below 0.005 mA. Each relay may be programmed to go to one of the following conditions when the meter detects the loss of the input signal (i.e. < 0.005 mA):

1. Turn *On* (Go to alarm condition)
2. Turn *Off* (Go to non-alarm condition)
3. Ignore (Process as a low signal condition)

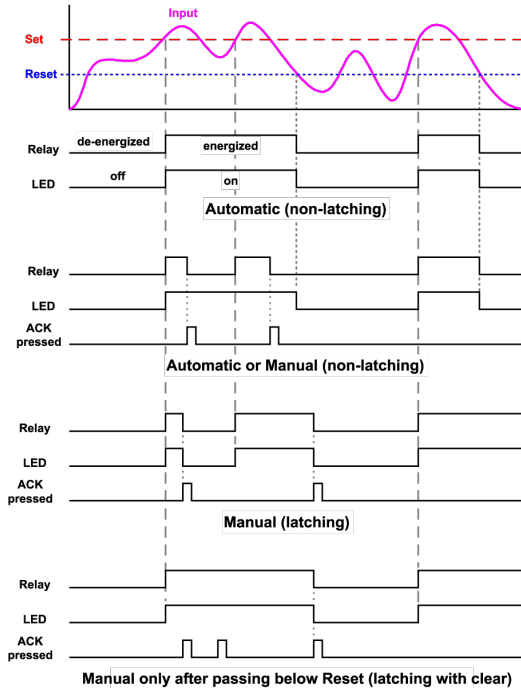
The following graph shows the loop break relay operation for a high alarm relay.



Relay and Alarm Operation Diagrams

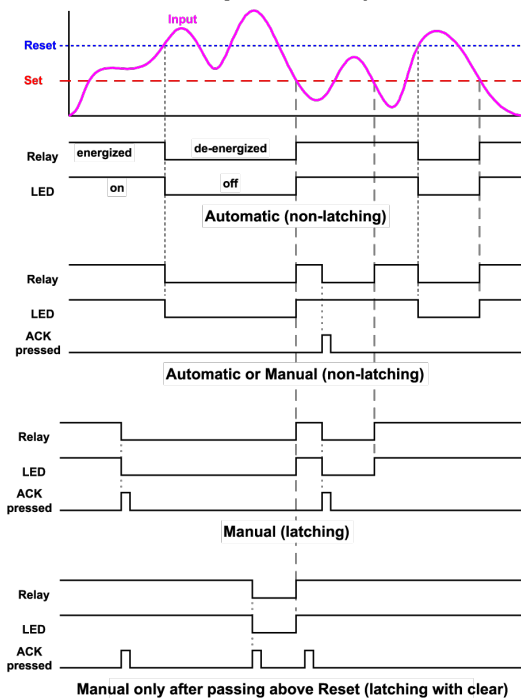
The following graphs illustrate the operation of the relays, status LEDs, and ACK button.

High Alarm Operation (Set > Reset)



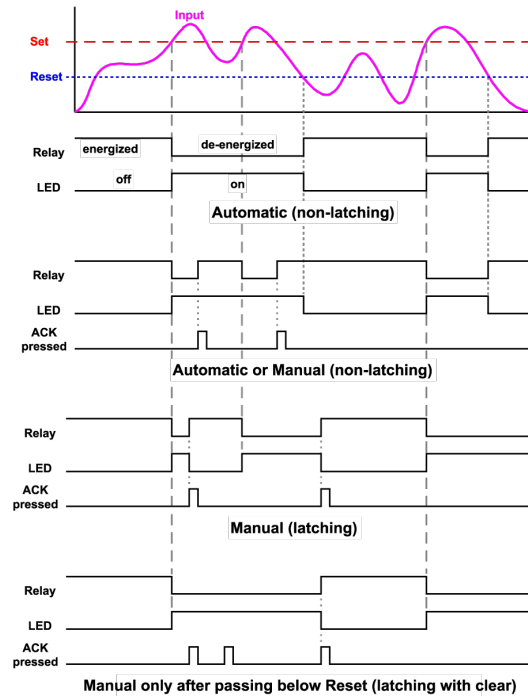
For Manual reset mode, ACK can be pressed anytime to turn "off" relay. To detect a new alarm condition, the signal must go below the set point, and then go above it.

Low Alarm Operation (Set < Reset)



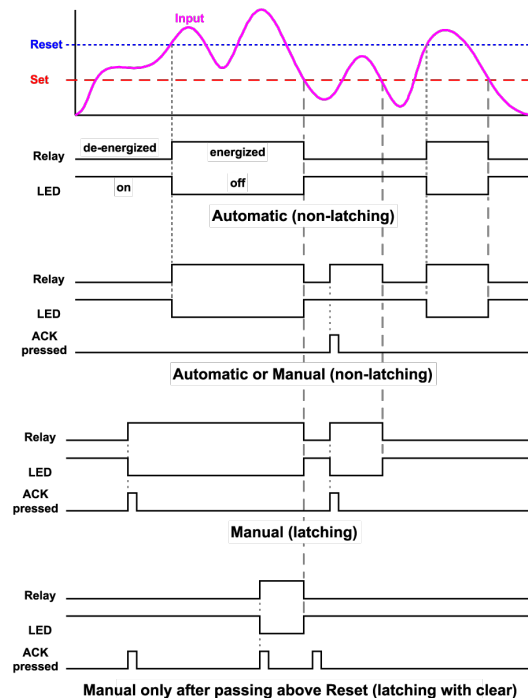
For Manual reset mode, ACK can be pressed anytime to turn "off" relay. To detect a new alarm condition, the signal must go below the set point, and then go above it.

High Alarm with Fail-Safe Operation (Set > Reset)



Note: Relay coil is energized in non-alarm condition. In case of power failure, relay will go to alarm state.

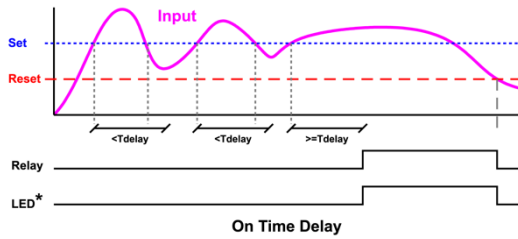
Low Alarm with Fail-Safe Operation (Set < Reset)



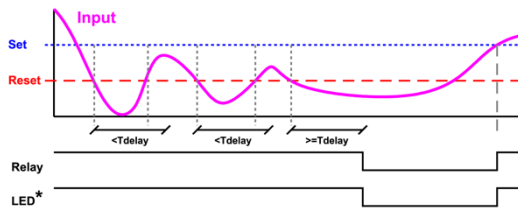
Note: Relay coil is energized in non-alarm condition. In case of power failure, relay will go to alarm state.

Time Delay Operation

The following graphs show the operation of the time delay function.



On Time Delay

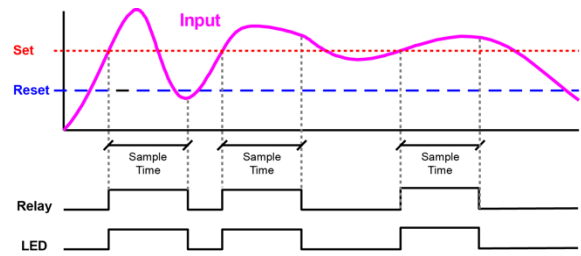


Off Time Delay

When the signal crosses the set point, the *On* time delay timer starts and the relay trips when the time delay has elapsed. If the signal drops below the set point (high alarm) before the time delay has elapsed, the *On* time delay timer resets and the relay does not change state. The same principle applies to the *Off* time delay.

Note: If "Automatic or Manual (R-nRn)" reset mode is selected, the LED follows the reset point and not the relay state when the relay is acknowledged.

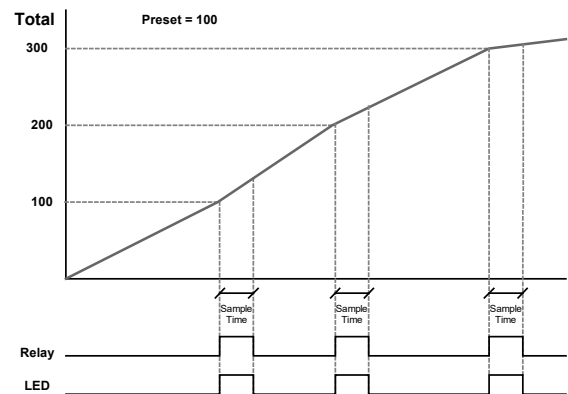
Rate Relay Sampling Operation



When the signal crosses the set point, the relay trips and the sample time starts. After the sample time has elapsed, the relay resets. The cycle repeats every time the set point is crossed, going up for high alarms and going down for low alarms.

The sample time can be programmed between 0.1 and 5999.9 seconds.

Total Relay Sampling Operation



When the total reaches the preset, the relay trips and the sample time starts. After the sample time has elapsed, the relay resets. The cycle repeats every time the preset value is added to the total.

Relay Operation Details

Overview

The relay capabilities of the meter expand its usefulness beyond simple indication to provide users with alarm and control functions. These capabilities include front panel alarm status LEDs as well as either 2 or 4 optional internal relays and/or 4 external relays expansion module. Typical applications include high or low temperature, level, pressure or flow alarms, control applications such as simple on/off pump control, pump alternation control for up to 8 pumps, and basic batch control. There are four basic ways the relays can be used:

1. High or Low Alarms with Latching or Non-Latching Relays
2. Simple On/Off Control with 100% Adjustable Deadband
3. Sampling (Based on Time)
4. Pump Alternation Control for up to 8 Pumps

Relays Auto Initialization

When power is applied to the meter, the front panel LEDs and alarm relays will reflect the state of the input to the meter. The following table indicates how the alarm LEDs and relays will react on power-up based on the set and reset points:

Alarm #	HI or LO Alarm	Set Point	Reset Point	Power-Up Reading	Relay & LED
1	HI	1000	500	499	Off
2	LO	700	900	499	On
3	LO	250	400	499	Off
4	HI	450	200	499	On

Fail-Safe Operation

The following table indicates how the relays behave based on the fail-safe selection for each relay:

Fail-Safe Selection	Non-Alarm State		Alarm State		Power Failure
	NO	NC	NO	NC	
Off	Open	Closed	Closed	Open	Relays go to non-alarm state
On	Closed	Open	Open	Closed	Relays go to alarm state

Note: NO = Normally Open, NC = Normally Closed. This refers to the condition of the relay contacts when the power to the meter is off.

Front Panel LEDs

The LEDs on the front panel provide status indication for the following:

LED	Status	LED	Status
1	Alarm 1	5	Alarm 5
2	Alarm 2	6	Alarm 6
3	Alarm 3	7	Alarm 7
4	Alarm 4	8	Alarm 8

The meter is supplied with four alarm points that include front panel LEDs to indicate alarm conditions. This standard feature is particularly useful for alarm applications that require visual-only indication. The LEDs are controlled by the set and reset points programmed by the user. When the display reaches a set point for a high or low alarm, the corresponding alarm LED will turn on. When the display returns to the reset point the LED will go off. The front panel LEDs respond differently for latching and non-latching relays.

For non-latching relays, the LED is always off during normal condition and always on during alarm condition, regardless of the state of the relay (e.g. Relay acknowledged after alarm condition).

For latching relays, the alarm LEDs reflect the status of the relays, regardless of the alarm condition. The following tables illustrate how the alarm LEDs function in relation to the relays and the acknowledge button (Default: F3 key assigned to ACK).

Latching and Non-Latching Relay Operation

The relays can be set up for latching (manual reset) or non-latching (automatic reset) operation.

Relay terminology for following tables	
Terminology	Relay Condition
On	Alarm (Tripped)
Off	Normal (Reset)
Ack	Acknowledged

The On and Off terminology does not refer to the status of the relay's coil, which depends on the fail-safe mode selected.

WARNING

- In latching relay mode, if Fail-Safe is off, latched relays will reset (unlatch) when power is cycled.

Non-Latching Relay (Ἰῶῤῥ)

In this application, the meter is set up for automatic reset (non-latching relay). Acknowledging the alarm while it is still present has no effect on either the LED or the relay. When the alarm finally goes away, the relay automatically resets and the LED also goes off.

Automatic reset only		
Condition	LED	Relay
Normal	Off	Off
Alarm	On	On
Ack (No effect)	On	On
Normal	Off	Off

Non-Latching Relay with Manual Reset (Ἰῶ-ἰῥἸῥ)

In this application, the meter is set up for automatic and manual reset at any time (non-latching relay). The LED and the relay automatically reset when the meter returns to the normal condition.

In addition, the relay can be manually reset while the alarm condition still exists, but the LED will stay on until the meter returns to the normal condition.

Automatic + manual reset at any time		
Condition	LED	Relay
Normal	Off	Off
Alarm	On	On
Normal	Off	Off
Next Alarm	On	On
Ack	On	Off
Normal	Off	Off

Latching Relay with Clear (Ἰῤῥῥῥ)

In this application, the meter is set up for manual reset at any time. Acknowledging the alarm even if the alarm condition is still present resets the relay and turns off the LED.

Manual reset any time		
Condition	LED	Relay
Normal	Off	Off
Alarm	On	On
Ack	Off	Off

Latching Relay (Ἰῤῥ-Ἰῤῥ)

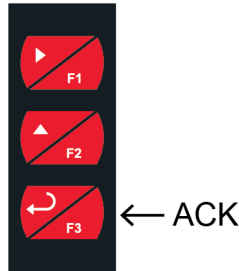
In this application, the meter is set up for manual reset only after the signal passes the reset point (alarm condition has cleared). Acknowledging the alarm while it is still present has no effect on either the LED or the relay. When the alarm is acknowledged after it returns to the normal state, the LED and the relay go off. Notice that the LED remains on, even after the meter returns to the normal condition. This is because, for latching relays, the alarm LED reflects the status of the relay, regardless of the alarm condition.

Manual reset only after alarm condition has cleared		
Condition	LED	Relay
Normal	Off	Off
Alarm	On	On
Ack (No effect)	On	On
Normal	On	On
Ack	Off	Off

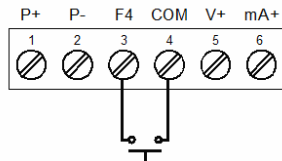
Acknowledging Relays

There are three ways to acknowledge relays programmed for manual reset:

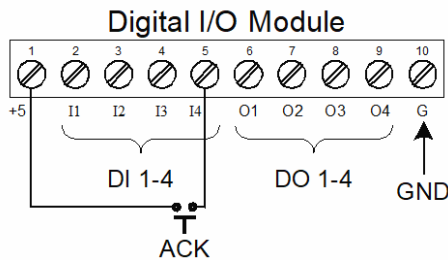
1. Via the programmable front panel function keys F1-F3 (Example: F3 assigned to ACK).



2. Remotely via a normally open pushbutton wired to the F4 terminal at the rear of the instrument.



3. One of the digital inputs and the +5 V terminals on the digital I/O expansion module.

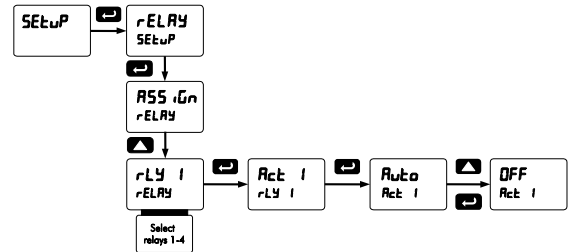


When the ACK button or the assigned digital input is closed, all relays programmed for manual reset are acknowledged.

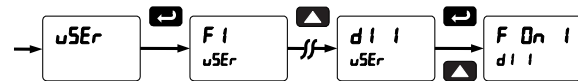
Setting Up the Interlock Relay (Force On) Feature

Relays 1-4 can be set up as interlock relays. To set up the relays for the interlock feature:

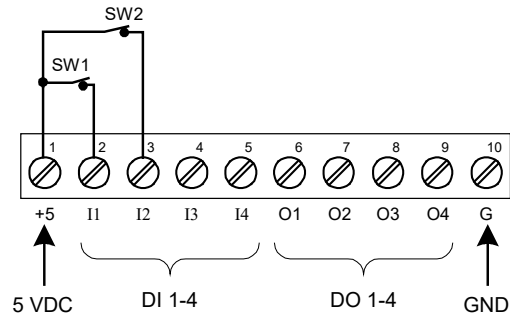
1. Access the *Setup – Relay – Action* menu and set the action to off.



2. In the *Advanced features – User* menu program any of the digital inputs to *Force On* any of the internal relays (1-4).



3. Connect a switch or dry contact between the +5V terminal and the corresponding digital input (DI-1 to DI-4) terminal.



Interlock Relay Operation Example

Relays 1 & 2 are configured to energize (their front panel LEDs are steady on) when SW1 & SW2 switches (above) are closed. If the contacts to these digital inputs are opened, the corresponding front panel LEDs flash indicating this condition. The processes being controlled by the interlock relay will stop, and will re-start only after the interlock relay is re-activated by the digital inputs (switches).

Note: If multiple digital inputs are assigned to the same relay, then the corresponding logic is (AND) – i.e. both switches must be closed to activate the relay.

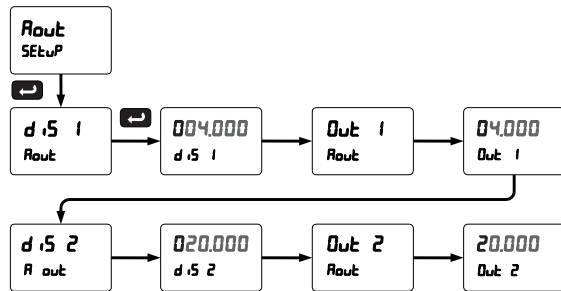
Scaling the 4-20 mA Analog Output (Rout)

The 4-20 mA analog output can be scaled to provide a 4-20 mA signal for any display range selected.

No equipment is needed to scale the analog output; simply program the display values to the corresponding mA output signal.

The *Analog Output* menu is used to program the 4-20 mA output based on display values.

For further details, see *Setting Numeric Values*, page 21, *Relay Action for Loss of 4-20 mA Input (Loop Break)*, page 27.

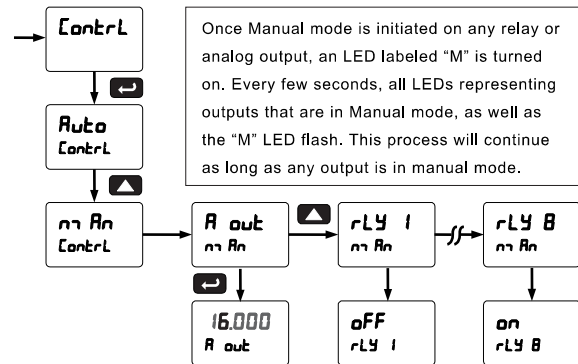


Reset Menu (rESEt)

The *Reset* menu is used to reset the totals and maximum or minimum reading (peak or valley) reached by the process; both may be reset at the same time by selecting "reset high & low" (rSEt HL). If *LoLRL* is set to *no*, the tare value used to zero the display may be reset by selecting "reset tare" (rSEt tr).

Manual Control Menu (Contrl)

The *Manual Control* menu is used to control the 4-20 mA analog output and the relays manually, ignoring the input. Each relay and analog output can be programmed independently for manual control. Selecting automatic control sets all relays and analog output for automatic operation.



Setting Up the Password (PASS)

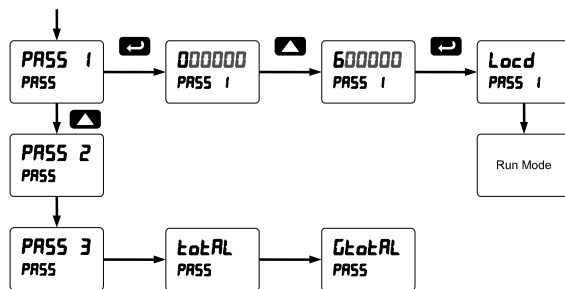
The *Password* menu is used for programming three levels of security to prevent unauthorized changes to the programmed parameter settings and to program the non-resettable totalizer.

Pass 1: Allows use of function keys and digital inputs
 Pass 2: Allows use of function keys, digital inputs and editing set/reset points
 Pass 3: Restricts all programming, function keys, and digital inputs.
 Total: Prevents resetting the total manually
 Gtotal: Prevents resetting the grand total manually

Protecting or Locking the Meter

Enter the *Password* menu and program a six-digit password.

For instructions on how to program numeric values see *Setting Numeric Values* on page 21.



Total Reset Password & Non-Resettable Total

The total and the grand total can be password-protected to prevent unauthorized total resets. The grand total can be programmed as a non-resettable total by entering the password "050873".

CAUTION

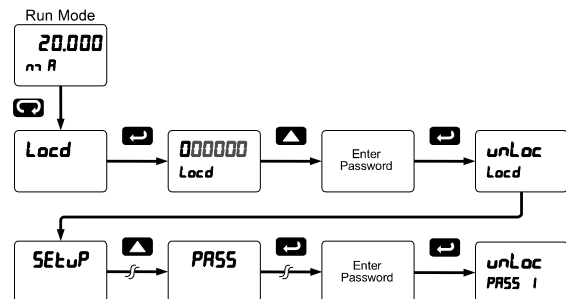
- Once the Grand Total has been programmed as "non-resettable" the feature **CANNOT** be disabled.

Making Changes to a Password Protected Meter

If the meter is password protected, the meter will display the message *Locd* (*Locked*) when the Menu button is pressed. Press the Enter button while the message is being displayed and enter the correct password to gain access the menu. After exiting the programming mode, the meter returns to its password protected condition.

Disabling Password Protection

To disable the password protection, access the *Password* menu and enter the correct password twice, as shown below. The meter is now unprotected until a new password is entered.



If the correct six-digit password is entered, the meter displays the message *unLoc* (unlocked) and the protection is disabled until a new password is programmed.

If the password entered is incorrect, the meter displays the message *Locd* (*Locked*) for about two seconds, and then it returns to Run Mode. To try again, press Enter while the *Locked* message is displayed.

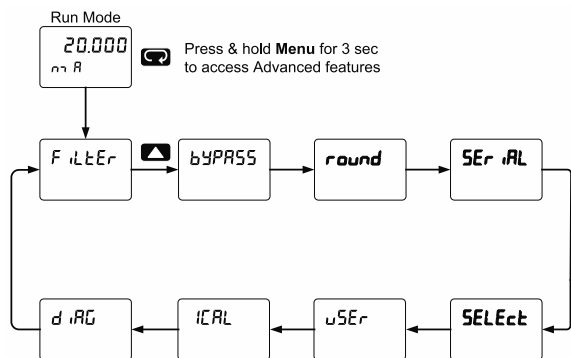
Did you forget the password?

The password may be disabled by entering a master password once. If you are authorized to make changes, enter the master password 508655 to unlock the meter.

Advanced Features Menu

To simplify the setup process, functions not needed for most applications are located in the *Advanced Features* menu.

Press and hold the Menu button for three seconds to access the advanced features of the meter.



Advanced Features Menu & Display Messages

The following table shows the functions and messages of the *Advanced Features* menu in the order they appear in the menu.

Display	Parameter	Action/Setting
Filter	Filter	Set noise filter value
BYPASS	Bypass	Set filter bypass value
round	Round	Set the rounding value for display variables
SERIAL	Serial	Set serial communication parameters
Slave ID	Slave ID	Set slave ID or meter address
Baud	Baud rate	Select baud rate
Transmit delay	Transmit delay	Set transmit delay for serial communication
Parity	Parity	Select parity Even, Odd, or None with 1 or 2 stop bits
Time byte	Time byte	Set byte-to-byte timeout
SELECT	Select	Enter the Select menu (function, cutoff, out)
Function	Input signal conditioning	Select linear, square root, programmable exponent, or round horizontal tank function
Linear	Linear	Set meter for linear function and select number of linearization points
Number of points	Number of points	Set meter for 2 to 32-point linearization
Square root	Square root	Set meter for square root extraction

Advanced Features Menu & Display Messages

Display	Parameter	Action/Setting
Programmable exponent	Programmable exponent	Set meter for programmable exponent and enter exponent value
Round horizontal tank	Round horizontal tank	Set meter for round horizontal tank volume calculation
Dimension (cm)	Dimension (cm)	Calculate volume in gallons or meters
Diameter	Diameter	Enter the tank's diameter in inches
Length	Length	Enter the tank's length in inches
Cutoff	Cutoff	Set low-flow cutoff
Count	Count	Set total and grand total count direction
Total Count	Total Count	Set total to count up or down
Grand Total Count	Grand Total Count	Set grand total to count up or down
Count Start	Count Start	Set start for total or grand total countdown
Analog output programming	Analog output programming	Program analog output parameters
Source	Source	Select source for the 4-20 mA output
Overrange	Overrange	Program mA output for display overrange
Underrange	Underrange	Program mA output for display underrange
Loop Break	Loop Break	Set relay condition if loop break detected
Force	Force	Force analog output value for loop break
Ignore	Ignore	Ignore loop break condition
Maximum	Maximum	Program maximum mA output allowed
Minimum	Minimum	Program minimum mA output allowed
Calibrate	Calibrate	Calibrate 4-20 mA output (internal reference source used for scaling the output)
4 mA output	4 mA output	Enter mA output value read by milliamp meter with at least 0.001 mA resolution
20 mA output	20 mA output	Enter mA output value read by milliamp meter with at least 0.001 mA resolution
User I/O	User I/O	Assign function keys and digital I/O
F1	F1 function key	Assign F1 function key
F2	F2 function key	Assign F2 function key
F3	F3 function key	Assign F3 function key

Advanced Features Menu & Display Messages		
Display	Parameter	Action/Setting
F4	F4 function	Assign F4 function (digital input)
d i 1	Digital input 1	Assign digital input 1 – 8, if expansion modules connected
d o 1	Digital output 1	Assign digital output 1 – 8, if expansion modules connected
ICAL	Internal source calibration	Enter internal source calibration (used for scaling the meter without a signal source)
ICAL	Current calibration	Calibrating 4-20 mA current input (internal reference source used for scaling the input)
ILo	Current low	Calibrate low current input (e.g. 4 mA)
IHi	Current high	Calibrate high current input (e.g. 20 mA)
u IAL	Voltage calibration	Calibrating voltage input
u L0	Voltage low	Calibrate low voltage input (e.g. 0 V)
u H0	Voltage high	Calibrate high voltage input (e.g. 10 V)
d iAG	Diagnostics	Display parameter settings
LED t	LED test	Test all LEDs (press menu to exit test)
Info	Information	Display software number and version
ErASE	Erase	Erase Panel Meter Pro software stored in meter's memory

Noise Filter (FILTER)

The noise filter is available for unusually noisy signals that cause an unstable process variable display. The noise filter averages the input signal over a certain period. The filter level determines the length of time over which the signal is averaged. The filter level can be set between 2 and 199. The higher the filter level, the longer the averaging time and so the longer it takes the display to settle to its final value. Setting the filter level to zero disables the filter function.

Noise Filter Bypass (BYPASS)

The noise filter bypass changes the behavior of the meter so that small variations in the signal are filtered out but large abrupt changes in the input signal are displayed immediately. The bypass value determines the minimum amount of signal change to be displayed immediately. All signal changes smaller than the bypass value are filtered or averaged by the meter. The noise filter bypass may be set between 0.1 and 99.9% of full scale.

Rounding Feature (ROUND)

The rounding feature is used to give the user a steadier display with fluctuating signals. Rounding is used in addition to the filter function.

Rounding causes the display to round to the nearest value according to the rounding selected. See examples below:

Rounding Selection	Actual Value	Display Value	Actual Value	Display Value
1	12.022	12.022	12.023	12.023
5	12.022	12.020	12.023	12.025
10	12.024	12.020	12.025	12.030

Modbus RTU Serial Communications (SERIAL)

The meter is equipped with serial communications capability as a standard feature using Modbus RTU Serial Communication Protocol.

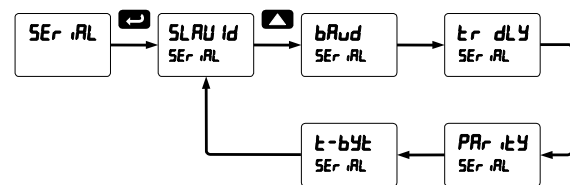
The meter may be connected to a PC for initial configuration via the on-board micro USB connection. For ongoing digital communications with a computer or other data terminal equipment, an RS-232, or RS-485 option is required; see *Ordering Information* on page 6 for details.

CAUTION

- DO NOT** connect any equipment other than Dwyer's expansion modules, cables, or meters to the RJ45 M LINK connector. Otherwise damage will occur to the equipment and the meter.

Note: More detailed instructions are provided with each optional serial communications adapter.

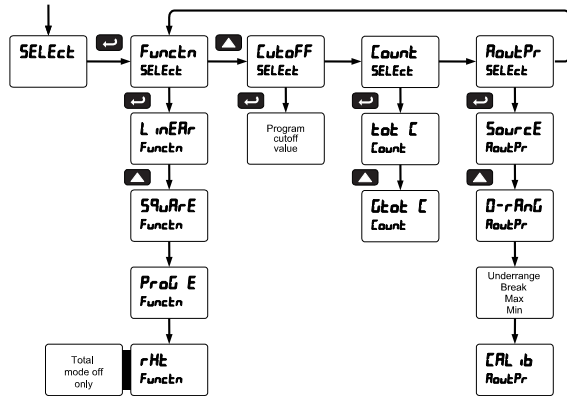
Note: Refer to the APM Modbus Register Tables located at www.dwyer-inst.com for details.



When using more than one meter in a multi-drop mode, each meter must be provided with its own unique address. The meter address (Slave ID) may be programmed between 1 and 247. The transmit delay may be set between 0 and 199 ms. The parity can be set to even, odd, or none with 1 or 2 stop bits.

Select Menu (SELEct)

The *Select* menu is used to select the input signal conditioner applied to the input (linear, square root, programmable exponent, or round horizontal tank), low-flow cutoff, and analog output programming. The multi-point linearization is part of the linear function selection.



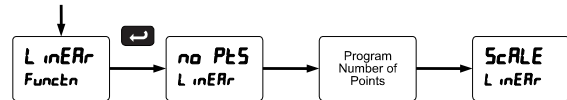
Input Signal Conditioning (Functn)

The *Function* menu is used to select the input signal conditioner applied to the input: linear, square root, programmable exponent, or round horizontal tank volume calculation. The multi-point linearization is part of the linear function selection.

Meters are set up at the factory for linear function with 2-point linearization. The linear function provides a display that is linear with respect to the input signal.

Multi-Point Linearization (L inERr)

Meters are set up at the factory for linear function with 2-point linearization. Up to 32 linearization points can be selected under the linear function. The multi-point linearization can be used to linearize the display for non-linear signals such as those from level transmitters used to measure volume in odd-shaped tanks or to convert level to flow using weirs and flumes with complex exponent.



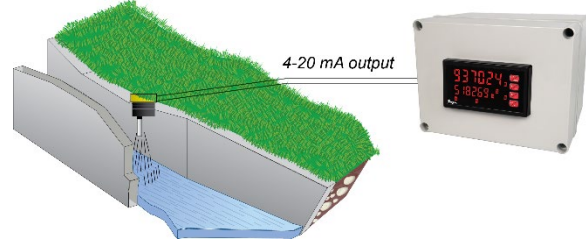
Square Root Linearization (SQURrE)

The square root function can be used to linearize the signal from a differential pressure transmitter and display flow rate in engineering units.

Programmable Exponent Linearization (ProG E)

The programmable exponent can be used to linearize the signal from level transmitters in open-channel flow applications using weirs and flumes.

Application: Open Channel Flow



The APM meter, in combination with an ultrasonic level transmitter, makes for an economical way to measure and display open channel flow rate and total in most weirs and flumes. A guide such as the ISCO Open Channel Flow Measurement Handbook can provide the user with all the information needed: the exponent used in the flow equation for the desired flow units and the flow rate for any given head height. For example, to display the open channel flow rate from a 3" Parshall flume, the ISCO handbook advises the exponent is 1.547 and at the maximum head height of 3.0 feet, the flow rate is 3.508 MGD.

3" Parshall Flume Discharge Table with Head in Feet

Formula: CFS = 0.9920 H^{1.547}
 GPM = 445.2 H^{1.547}
 MGD = 0.6411 H^{1.547}

Where: H = head in feet

Head (Feet)	CFS	GPM	MGD
3.00	5.428	2436	3.508

ISCO Open Channel Flow Measurement Handbook, 3rd edition

With this information the APM should be programmed in the following fashion. This setup assumes the level transmitter is programmed to output 20 mA at the maximum head height of 1.10 feet; but any mA value at a head height with a known flow rate may be used.

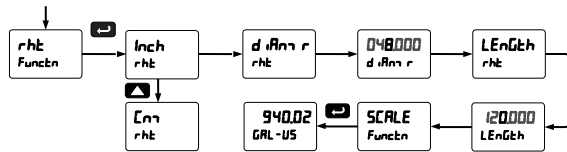
Function	Desire	Programming
Open Channel Flow	3" Parshall flume	Set Programmable Exponent to 1.547
Flow Rate	Millions of Gallons per Day (MGD)	Set 4 mA = 0 20 mA = 3,508 Time base = Day
Total	Millions of Gallons	Set Totalizer Conversion Factor = 1 (password protect "total" to avoid accidental reset)
Non-Resetable Grand Total	Program meter so grand total can never be reset	Set non-resetable grand total password
Display	Display Flow Rate, Total, and Grand Total	Set upper display for Grand Total and lower display to toggle between rate and total.

Round Horizontal Tank Linearization (rHt)

This function automatically calculates the volume in a round horizontal tank with flat ends. This function is only used when **tot RL** is set to **no**.

Set the display for the desired decimal point and engineering units before entering the round horizontal tank function. Select units, inches or cm for the tank dimension. Enter the diameter and the length in inches and the results are given in US gallons. Enter the diameter and length in cm and the results are calculated automatically in liters.

The meter can be scaled to display the volume in any engineering unit.



Note: After Scale is displayed continue pressing the Enter button until the meter completes the scaling of the input and display values.

Changing the Volume from Gallons to Liters

In the above graphic, entering the 48" for the diameter and 120" for the length of the round horizontal tank, the meter automatically calculates that the volume of the tank is 940.02 gallons.

1. Convert gallons to liters
1 US gallon = 3.7854 L
940.02 gal = 3558.4 L
2. Go to the *Setup* menu and change the decimal point to 1 decimal.
3. Go to the *Program – Scale* menu and press Enter until **d, 1.5 2** is shown on the main display.
4. Press Enter and change the display 2 value to 3558.4.
5. The meter is now displaying the volume in liters.

Note: The display can be scaled to display the volume in any engineering units.

Another way to display the volume in liters is to enter the dimensions in cm. The meter automatically calculates the volume in liters.

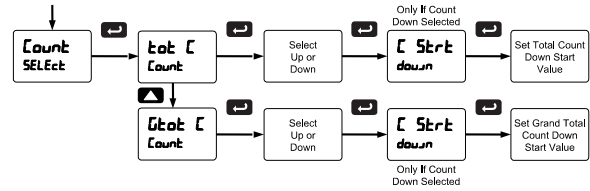
Low-Flow Cutoff (CutOFF)

The low-flow cutoff feature allows the meter to be programmed so that the often-unsteady output from a differential pressure transmitter, at low flow rates, always displays zero on the meter.

The cutoff value may be programmed from 0 to 999999. The meter will display zero below the cutoff value. Programming the cutoff value to zero disables the cutoff feature.

Totalizer Count Up/Down (Count)

The totalizer count up/down menu may be used to program the total and grand total to either count up from 0 when reset or count down from a programmed value when reset. Total and grand total may have their countdown numbers programmed individually from 0 to 999999.



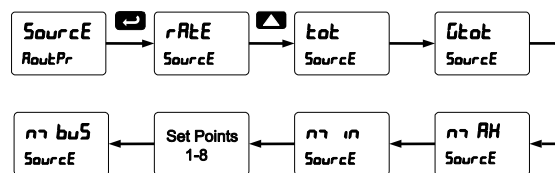
Analog Output Programming (RoutPr)

The *Analog Output Programming* menu is used to program the behavior of the 4-20 mA output. The following parameters and functions are programmed in this menu:

1. Source: Source for generating the 4-20 mA output (e.g. PV)
2. Overrange: Analog output value with display in overrange condition
3. Underrange: Analog output value with display in underrange condition
4. Break: Analog output value when loop break is detected
5. Max: Maximum analog output value allowed regardless of input
6. Min: Minimum analog output value allowed regardless of input
7. Calibrate: Calibrate the internal 4-20 mA source reference used to scale the 4-20 mA output

Analog Output Source

The source for generating the 4-20 mA output may be assigned to the rate/process variable, total, grand total, maximum or minimum value reached by the rate/process, or one of the set points, or the Modbus PV input.



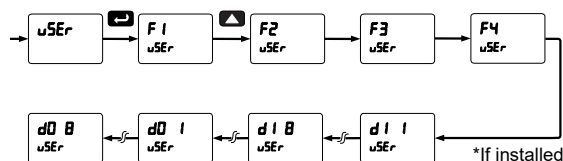
Analog Output Calibration

To perform the analog output calibration, it's recommended to use a milliamp meter with a resolution of at least 0.1 µA to measure the output current. The values saved internally during this procedure are used for scaling the 4-20 mA output in the *Setup* menu.

Programmable Function Keys User Menu (uSEr)

The *User* menu allows the user to assign the front panel function keys F1, F2, and F3, the digital input F4 (a digital input located on the input signal connector), and up to eight additional digital inputs to access most of the menus or to activate certain functions immediately (e.g. reset total, reset grand total, reset max & min, hold relay states, etc.). This allows the meter to be greatly customized for use in specialized applications.

Up to eight digital outputs can be assigned to a number of actions and functions executed by the meter (i.e. reset total, reset grand total, alarms, relay acknowledgement, reset or display max, min). The digital outputs can be used to trigger external alarms or lights to indicate these specific events.



Function Keys & Digital I/O Available Settings

Refer to the following table for descriptions of each available function key or digital I/O setting.

Function Keys & Digital I/O Available Settings	
Display	Description
rELRY	Directly access the relay menu
SEt I*	Directly access the set point menu for relay 1 (*through 8)
rLY d	Disable all relays until a button assigned to <i>enable relays (rLY E)</i> is pressed
rLY E	Enable all relays to function as they have been programmed
0 Hold	Hold current relay states and analog output as they are until a button assigned to <i>enable relays (rLY E)</i> is pressed
d Hold	Hold the current display value, relay states, and analog output momentarily while the function key or digital input is active. The process value will continue to be calculated in the background.
Ln 1 Hi	Display maximum display value on line 1
Ln 1 Lo	Display minimum display value on line 1
Ln 1 HL	Display maximum & minimum display values on line 1
Ln 2 Hi	Display maximum display value on line 2
Ln 2 Lo	Display minimum display value on line 2
Ln 2 HL	Display maximum & minimum display values on line 2
Ln 2 Gt	Display the grand total on line 2

Function Keys & Digital I/O Available Settings	
Display	Description
F On I*	Force relay 1 (*through 4) into the on state. This function is used in conjunction with a digital input expansion module to achieve interlock functionality. See <i>Setting Up the Interlock Relay (Force On) Feature</i> on page 32 for details.
Control	Directly access the control menu
d,SRbL	Disable the selected function key or digital I/O
RcH	Acknowledge all active relays that are in a manual operation mode such as auto-manual or latching
rESEt	Directly access the reset menu
rSEt t	Reset the total
rSEt Gt	Reset the grand total
rSEt Hi	Reset the stored maximum display value
rSEt Lo	Reset the stored minimum display value
rSEt HL	Reset the stored maximum & minimum display values
nrEnu	Mimic the menu button functionality (digital inputs only)
r,SRt	Mimic the right arrow/F1 button functionality (digital inputs only)
uP	Mimic the up arrow/F2 button functionality (digital inputs only)
EnEr	Mimic the enter/F3 button functionality (digital inputs only)
RLn I*	Provide indication when alarm 1 (*through 8) has been triggered (digital outputs only)

Internal Source Calibration (ICAL)

The meter is **factory calibrated** prior to shipment for milliamps and volts with calibration equipment that is certified to NIST standards.

The use of calibrated signal sources is necessary to calibrate the internal source of the meter. The meter's internal source is what allows the user to scale the meter without applying a signal.

Check calibration of the meter at least every 12 months. Each input must be recalibrated separately.

Notes:

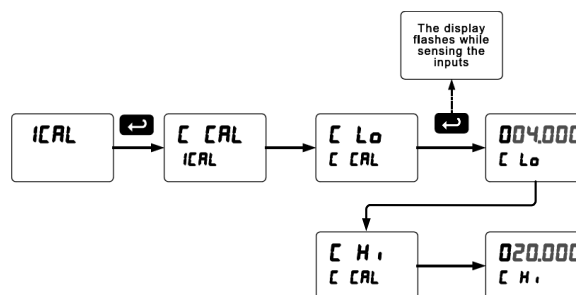
1. If meter is in operation and it is intended to accept only one input type (e.g. 4-20 mA), recalibration of other input is not necessary.
2. Allow the meter to warm up for at least 15 minutes before performing the internal source calibration procedure.

The *Internal calibration* menu is part of the *Advanced Features* menu.

1. Press and hold the Menu button for three seconds to access the advanced features of the meter.
2. Press the Up arrow button to scroll to the *Internal calibration* menu (ICAL) and press Enter.
3. The meter displays either current calibration (ICAL) or voltage calibration (VICAL), according to the input setup. Press Enter to start the calibration process.

Example of Internal Calibration for current input:

4. The meter displays *low* input current message (CLo). Apply the low input signal and press Enter. The display flashes for a moment while the meter is accepting the low input signal.
5. After the display stops flashing, a number is displayed with the leftmost digit brighter than the rest. The bright digit is the active digit that can be changed by pressing the Up arrow button. Press the Right arrow button to move to the next digit.
6. Set the display value to correspond to the input signal being calibrated, typically 4.000 mA.
7. The display moves to the *high* input calibration (CHi). Apply the high input signal and press Enter.
8. Set the display for the high input calibration, in the same way as it was set for the low input calibration, typically 20.000 mA.



The graphic shows the calibration of the current input. The voltage input is calibrated in a similar way.

Tips:

- Low and high input signals can be any valid values within the range of the meter.
- Observe minimum input span requirements between input 1 and input 2.
- Low input should be less than high input signal. However, the low display can be higher than the high display (i.e. 4-20 mA = 100.0 to 0.0).

Error Message (Error)

An error message indicates that the calibration or scaling process was not successful.

After the error message is displayed, the meter reverts to the input prior to the failure during calibration or scaling and to input 1 during internal calibration, allowing the appropriate input signal to be applied or programmed.

The error message might be caused by any of the following conditions:

5. Input signal is not connected to the proper terminals or it is connected backwards*.
6. Wrong signal selection in *Setup* menu*.
7. Minimum input span requirements not maintained.
8. Input 1 signal inadvertently applied to calibrate input 2*.

*Not relevant when scaling the meter.

Minimum Input Span

The minimum input span is the minimum difference between input 1 and input 2 signals required to complete the calibration or scaling of the meter.

Input range	Input 1 & input 2 span
4-20 mA	0.15 mA
±10 VDC	0.10 VDC

Meter Operation

The meter is capable of accepting current (0-20 mA, 4-20 mA) and voltage signals (0-5 V, 1-5 V, 0-10 V, ±10 V) and displaying these signals in engineering units from -99999 to 999999 (e.g. a 4-20 mA signal could be displayed as -50.000 to 50.000).

The dual-line display can be customized by the user to operate in such a way as to satisfy a specific application. Typically, the main display is used for the process variable; while the second display is used for engineering units, custom legend, total, grand total, or set point indication.

The meter can be set up to display the analog input on the main display and the Modbus input on the second display. The relays and analog output can be programmed to operate from the Modbus PV input.

Front Panel Buttons Operation

Button Symbol	Description
	Press to enter or exit Programming Mode, view settings, or exit max/min readings
	Press to reset max/min readings or other parameter/function assigned through the <i>User</i> menu
	Press to display max/min readings or other parameter/function assigned through the <i>User</i> menu
	Press to acknowledge relays or other parameters/function assigned through the <i>User</i> menu

Function Keys Operation

During operation, the programmable function keys operate according to the way they have been programmed in the *Advanced Features – User* menu. See *Programmable Function Keys User Menu (u5Er)* on page 39 for details.

The table above shows the factory default settings for F1, F2, and F3.

F4 Operation

A digital input, F4, is standard on the meter. This digital input is programmed identically to function keys F1, F2, and F3. The input is triggered with a contact closure to COM, or with an active low signal. During operation, F4 operates according to the way it has been programmed in the *Advanced Features – User* menu. See *Programmable Function Keys User Menu (u5Er)* on page 39 for details.

Maximum/Minimum Readings

The max & min readings (peak & valley) reached by the process can be displayed either continuously or momentary:

1. Display briefly by assigning to the F1-F3 function keys or to the digital inputs in the *User* menu.
2. Display continuously by assigning either display to max/min through the *Display* menu.

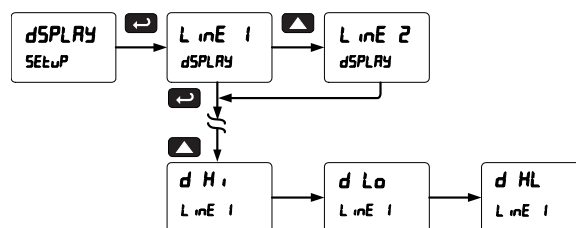
Any of the F1-F3 function keys (buttons) and the digital inputs can be programmed to reset the max & min readings. The meters are set at the factory to display the max reading by pressing the Up arrow/F2 button and to use the Right arrow/F1 button to access the *Reset* menu.

To display max reading using function key with factory defaults:

1. Press Up arrow/F2 button to display maximum reading since the last reset/power-up.
2. To reset max/min press Right arrow/F1 button to access the *Reset* menu. The max & min displays are reset to actual values.
3. Press *Menu* to exit max/min display reading.

To display max/min readings continuously:

Assign either display to Max (d H i), Min (d L o), or toggle between Max and Min (d H L) every 10 seconds.



Totalizer Overflow Displays Total to 9 Digits

These flow rate/totalizers can display up to nine digits of total flow with the total overflow feature.



In the diagrams above, the flow totalizer is displaying 532,831,470 by toggling between a display of “oF 532” and “83 1470”. Notice the T with arrow ▲ symbol is lit up indicating the display is in overflow mode.

Troubleshooting

Due to the many features and functions of the meter, it's possible that the setup of the meter does not agree with what an operator expects to see.

If the meter is not working as expected, refer to the *Diagnostics* menu and recommendations below.

Diagnostics Menu (d ,RŁ)

The *Diagnostics* menu is located in the *Advanced Features* menu, to access *Diagnostics* menu see *Advanced Features Menu* on page 34.

This menu allows the user to test the functionality of all the meter LEDs, check the meter's software and version information, and erase the Panel Meter Pro software installation files from the meter. Press the Enter button to view the settings and the Menu button to exit at any time.

For a description of the diagnostic messages, see *Advanced Features Menu & Display Messages* on page 35.

Determining Software Version

To determine the software version of a meter:

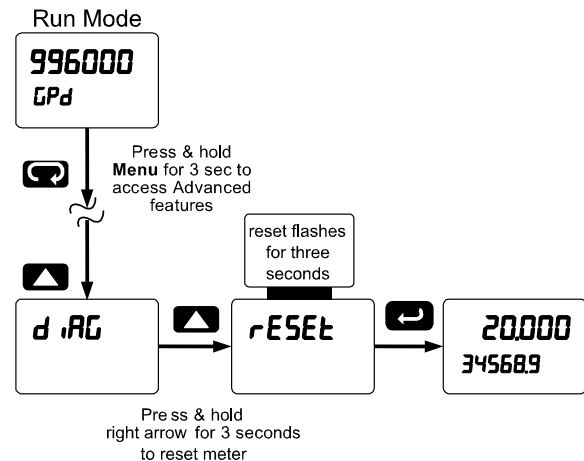
1. Go to the *Diagnostics* menu (d ,RŁ) and press Enter button.
2. Press Up arrow button and scroll to Information menu (InFo).
3. Press Enter to access the software number (5FŁ) and version (ŁEr) information. Write down the information as it is displayed. Continue pressing Enter until all the information is displayed.
4. The meter returns to Run Mode after displaying all the settings.

Reset Meter to Factory Defaults

When the parameters have been changed in a way that is difficult to determine what's happening, it might be better to start the setup process from the factory defaults.

Instructions to load factory defaults:

1. Enter the *Advanced Features* menu. See *Advanced Features Menu* on page 34.
2. Press Up arrow to go to *Diagnostics* (d ,RŁ) menu
3. Press and hold Right arrow for three seconds, press Enter when display flashes rE5Et.
Note: If Enter is not pressed within three seconds, the display returns to the *Diagnostics* menu.
4. The meter goes through an initialization sequence (similar as on power-up), and loads the factory default settings.



Factory Defaults & User Settings

The following table shows the factory setting for most parameters.

Parameter	Display	Default Setting
Input type	InPut	4-20 mA
Total	toRL	Yes
Units	unit	Rate / total / gr. total mA / mA / mA
Filter	Filter	70
Bypass	bypass	0.2
Function	Function	Linear
Number of points	nopts	2
Programming	Prog	Scale
Input 1	InP 1	4.000 mA
Display 1	d1	4.000
Input 2	InP 2	20.000 mA
Display 2	d2	20.000
Decimal point	dddd	3 places
Cutoff value	cutoff	0.000 (disabled)
Display line 1	line 1	Rate/Process
Display line 2	line 2	Total value
Display intensity	d-int	6
Total time base	tb	Second
Total conversion factor	CF	1.000
Total reset	rst	Manual
Grand total time base	gtb	Second
Grand total conversion factor	gtCF	1.000
Grand total reset	grst	Manual
Total count up/down	toC	Up
Grand tot count	gtoc	Up
Relay 1 assignment	RS1	Total
Relay 2 assignment	RS2	Total
Relay 3 assignment	RS3	Rate
Relay 4 assignment	RS4	Rate

Parameter	Display	Default Setting
Relay 1 action	Rel 1	Automatic
Relay 1 set point	SE1	1.000
Relay 1 reset point	rSE1	0.000
Relay 2 action	Rel 2	Automatic
Relay 2 set point	SE2	2.000
Relay 2 reset point	rSE2	0.000
Relay 3 action	Rel 3	Automatic
Relay 3 set point	SE3	3.000
Relay 3 reset point	rSE3	2.500
Relay 4 action	Rel 4	Automatic
Relay 4 set point	SE4	4.000
Relay 4 reset point	rSE4	3.500
Fail-safe relay 1	FLS 1	Off
Fail-safe relay 2	FLS 2	Off
Fail-safe relay 3	FLS 3	Off
Fail-safe relay 4	FLS 4	Off
Display 1 analog out	d1	4.000
Output 1 value	out 1	4.000 mA
Display 2 analog out	d2	20.000
Output 2 value	out 2	20.000 mA
Source analog output	Source	Rate/process
Overrange output	OR	21.000 mA
Underrange output	UR	3.000 mA
Loop break output	brk	1.000 mA
Maximum output	max	23.000 mA
Minimum output	min	1.000 mA
F1 function key	F1	Reset max & min
Password 1	PR55 1	000000 (unlocked)
Password 2	PR55 2	000000 (unlocked)
Password 3	PR55 3	000000 (unlocked)
Total password	toRL	000000 (unlocked)
Grand total password	gtRL	000000 (unlocked)

Troubleshooting Tips

This meter is a highly sophisticated instrument with an extensive list of features and capabilities. If the front panel buttons are used to program the meter, it may be a difficult task to keep everything straight. That is why we strongly recommend the use of the free Panel Meter Pro software for all programming activities. A cable is provided with the meter for programming with Panel Meter Pro software.

If you have programmed the meter with the front panel buttons and it is not working as intended, try re-programming the meter using Panel Meter Pro software.

Symptom	Check/Action
No display at all	Check power at power connector
Not able to change setup or programming, L o c k is displayed	Meter is password-protected, enter correct six-digit password to unlock
Meter does not respond to input change	If a <i>Low-Flow Cutoff Value</i> has been programmed, the meter will display zero below that point, regardless of the input – which can appear like the meter is not responding to an input change. Check to make sure the problem is not being caused by an undesired low-flow cutoff value.
Meter displays error message during calibration (E r r o r)	Check: 1. Signal connections 2. Input selected in <i>Setup</i> menu 3. Minimum input span requirements
Meter displays 1. 999999 2. -999999	Check: 1. Input selected in <i>Setup</i> menu 2. Corresponding signal at Signal connector
Display is unstable	Check: 1. Input signal stability and value 2. Display scaling vs. input signal 3. Filter and bypass values (increase)
Display response is too slow	Check filter and bypass values
Display reading is not accurate	Check: 1. Input signal conditioner selected: Linear, square root, etc. 2. Scaling or calibration
Display does not respond to input changes, reading a fixed number	Check: Display assignment, it might be displaying max, min, or set point.
Display alternates between 1. H i and a number 2. L o and a number	Press Menu to exit max/min display readings.
Relay operation is reversed	Check: 1. Fail-safe in <i>Setup</i> menu 2. Wiring of relay contacts
Relay and status LED do not respond to signal	Check: 1. Relay action in <i>Setup</i> menu 2. Set and reset points
Flashing relay status LEDs	Relays in manual control mode or relay interlock switches opened.
Meter not communicating with application programs	Check: 1. Serial adapter and cable 2. Serial settings 3. Meter address and baud rate
If the display locks up or the meter does not respond at all	Cycle the power to reboot the microprocessor.
Other symptoms not described above	Call Technical Support for assistance.

Note: Certain sequences of events can cause unexpected results. To solve these issues, it is best to start fresh from factory defaults and use the manual as a step by step programming guide, rather than a random approach to programming. To reset the meter to factory defaults, see Reset Meter to Factory Defaults on page 42. In addition, for best results, we recommend using the free Panel Meter Pro software for all programming needs.

DWYER INSTRUMENTS, INC.
P.O. BOX 373 • MICHIGAN CITY, IN 46360, U.S.A.

Phone: 219/879-8000
Fax: 219/872-9057

dwyer-inst.com
e-mail: info@dwyermail.com

LIM6200DW_H
SFT039 Ver 4.010 & up
07/20