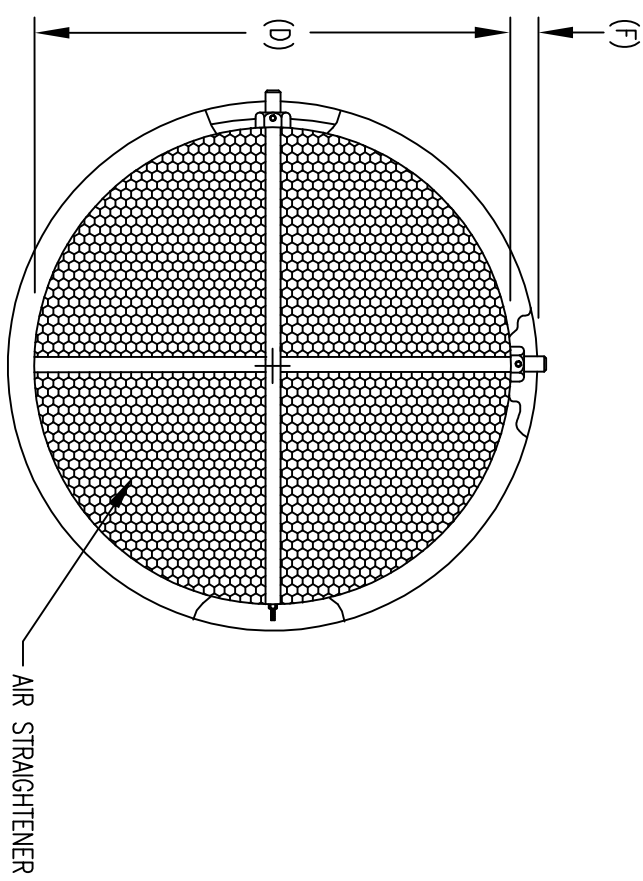
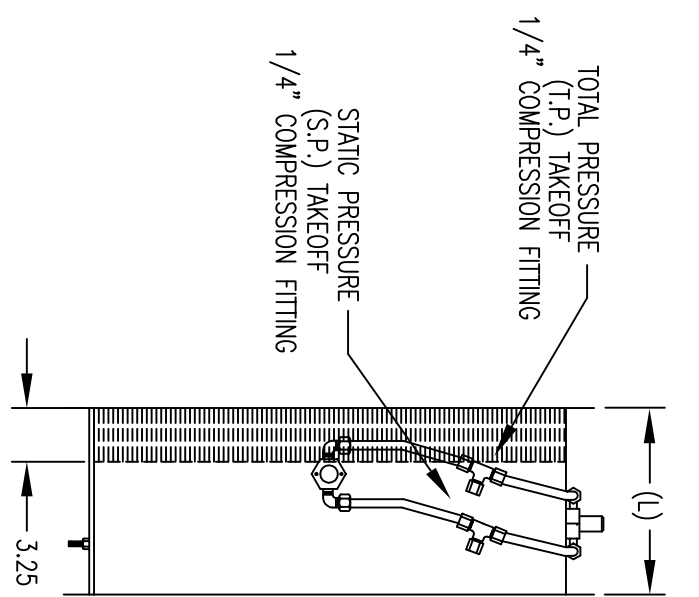


CIRCULAR FLANGE DIMENSIONS			
STATION SIZE "D"	FLANGE THICKNESS	FLANGE SIZE "F"	CASING LENGTH "L"
8"-15"	.064"	1"	8"
16"-44"	.064"	1-1/2"	8"
45"-72"	.188"	1-1/2"	10"
73" & OVER	.188"	2"	12"

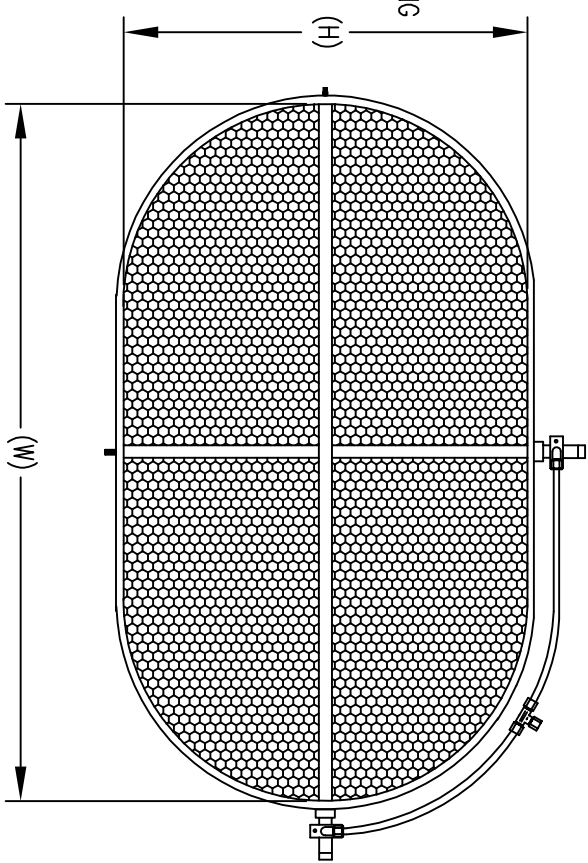
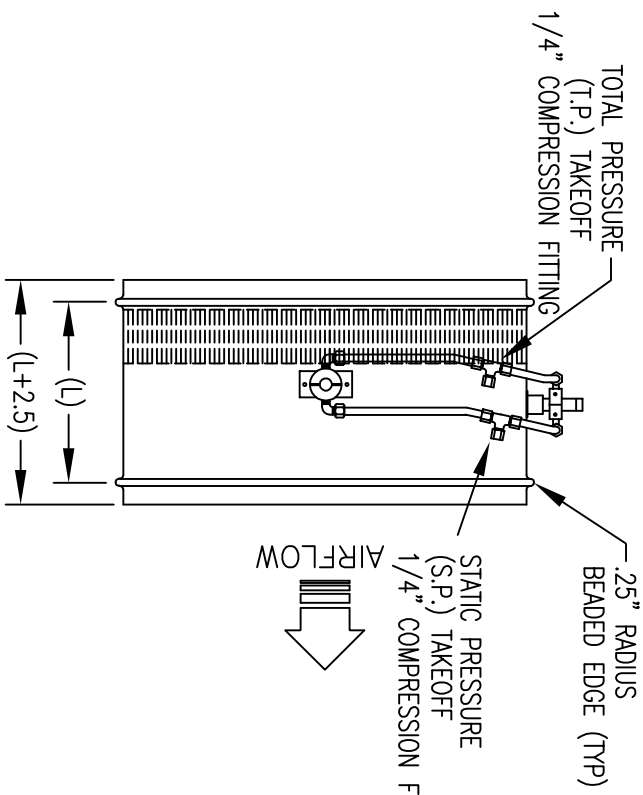


CIRCULAR FLANGE DIMENSIONS			
STATION SIZE "D"	FLANGE THICKNESS	FLANGE SIZE "F"	CASING LENGTH "L"
8"-15"	.064"	1"	8"
16"-44"	.064"	1-1/2"	8"
45"-72"	.188"	1-1/2"	10"
73" & OVER	.188"	2"	12"

CIRCULAR STYLE

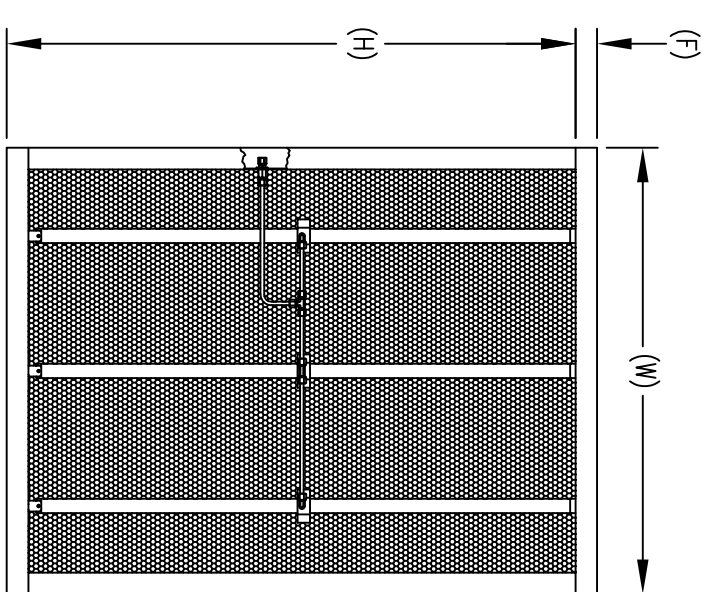
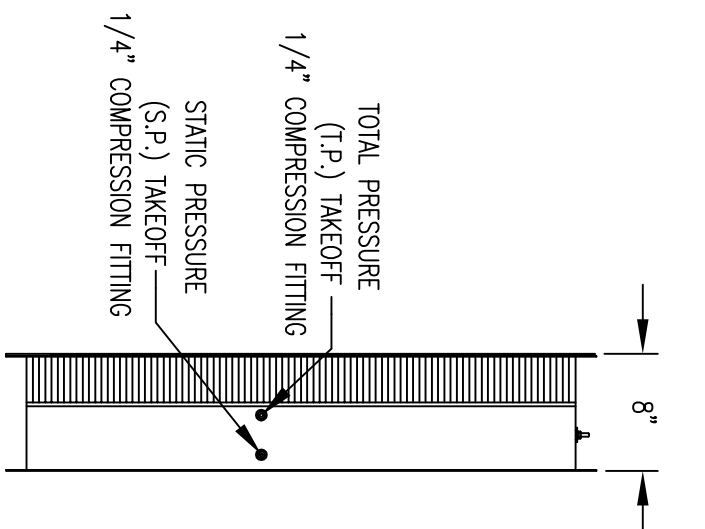
OVAL FLANGE DIMENSIONS (OPTIONAL)			
STATION WIDTH "W"	FLANGE THICKNESS	FLANGE SIZE	*CASING LENGTH "L"
UP TO 44"	.064"	1-1/2"	8"
OVER 44"	.188"	1-1/2"	10"

\*NOTE: ALL OVAL FLOW STATIONS WITHOUT FLANGE HAVE A CASING LENGTH OF 8"



OVAL STYLE

RECTANGULAR FLANGE DIMENSIONS			
STATION SIZE "H" OR "W"	FLANGE THICKNESS	FLANGE SIZE "F"	CASING LENGTH "L"
8"-72"	.064"	1-1/2"	8"
73" & OVER	.188"	2"	10"



RECTANGULAR STYLE

Ⓢ = CRITICAL DIMENSION  
 STANDARD TOLERANCES UNLESS NOTED:  
 ALL DECIMAL DIMENSIONS ± .005  
 ALL ANGLES ± 1°

SCALE = NONE

NO.		DATE		NAME		STRA FLOW STATION INFORMATION	MATERIAL	FINISH	FR. NO.			
CHANGES		BY/DATE		APPD		ACAD2002		FR. NO.				
								3				

NOTE: The drawing and the principles and elements of design embodied therein are the exclusive property of DWYER INSTRUMENTS, INC. and are made available for examination without the written consent of said corporation.

**DWYER INSTRUMENTS, INC.**  
 MICHIGAN CITY, INDIANA 46360 U.S.A.