



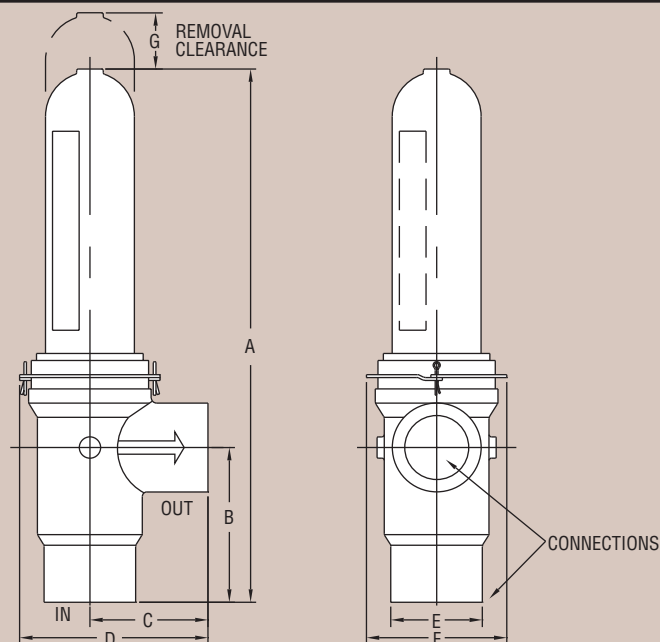
Series  
TVF

# Total View Industrial Flowmeter

View Flow Rate from 360°, Water or Air Ranges



TVFS



A	B	C	D	E	F	G	Female NPT	Material
9.36	2.81	2.68	4.00	1.35	2.72	3.00	3/4"	SS
15.22	4.53	3.71	5.70	2.48	3.95	5.00	1-1/2"	SS

The Series TVF Total View Industrial Flowmeters are economically priced, tough, simple and accurate meters for water, oils, coolants, compressed gases and other industrial applications. The flowmeters have a full-scale accuracy of  $\pm 2\%$  and can be disassembled quickly without the meter being removed from the pipeline for easy cleaning. The TVFS is constructed of T-316 SS and features a polysulfone sight tube. The Series Total View Industrial Flowmeters are available with standard 3/4" and 1-1/2" female NPT connections. The easy to read flowmeters provide 360° rotation of scale on plastic sight tube models.

### SPECIFICATIONS

- Service:** Compatible gases or liquids.
- Wetted Materials:** Body: SS; O-rings: Buna-N; Sight tube: Polysulfone.
- Temperature Limits:** see "Operating Limits" table.
- Pressure Limits:** see "Operating Limits" table.
- Accuracy:**  $\pm 2\%$  of full-scale.
- Repeatability:**  $\pm 1/4\%$  of indicated flow rate.
- Process Connections:** 3/4" and 1-1/2" female NPT.
- Scale Length:** 3.2" (8 cm) for 3/4" NPT connection, 5.2" (13 cm) for 1-1/2" NPT connection.
- Weight:** 4 lb (1.8 kg) for 3/4", and 12 lb (5.5 kg) for 1-1/2".

### Operating Limits

Connection	Maximum Non-Shock Working Pressure psig @ °F (bar @ °C)		
	200°F (93°C)	250°F (121°C)	300°F (148°C)
3/4"	300 (20.6)	250 (17.2)	115 (7.9)
1-1/2"	180 (12.4)	145 (10.0)	70 (4.8)

Series	TVFS		T-316 Stainless Steel
Range Code		-XX	See Range/ Connection Chart (add Range code to Series designator for model number)

\*Contact factory for optional metric scales (liters/minute).

### Available Ranges

Range Code	Range	Connection (female NPT)	Range Code	Range	Connection (female NPT)	Range Code	Range	Connection (female NPT)
-00	0.025-0.545 GPM Water	3/4" NPT	-19	0.16-3.20 SCFM Air	3/4" NPT	-33	1.50-25.0 SCFM Air	1-1/2" NPT
-01	0.04-0.80 GPM Water	3/4" NPT	-20	0.50-5.00 SCFM Air	3/4" NPT	-34	1.00-31.0 SCFM Air	1-1/2" NPT
-02	0.06-1.20 GPM Water	3/4" NPT	-21	0.30-7.40 SCFM Air	3/4" NPT	-35	2.00-40.0 SCFM Air	1-1/2" NPT
-03	0.08-1.64 GPM Water	3/4" NPT	-22	0.50-10.2 SCFM Air	3/4" NPT	-36	3.0-70.0 SCFM Air	1-1/2" NPT
-04	0.10-2.60 GPM Water	3/4" NPT	-23	0.60-14.0 SCFM Air	3/4" NPT	-37	4.0-100.0 SCFM Air	1-1/2" NPT
-05	0.15-3.80 GPM Water	3/4" NPT	-24	1.00-20.0 SCFM Air	3/4" NPT	-38	5.0-140.0 SCFM Air	1-1/2" NPT
-06	0.20-5.40 GPM Water	3/4" NPT	-25	1.00-26.0 SCFM Air	3/4" NPT	-39	5.0-175.0 SCFM Air	1-1/2" NPT
-07	0.20-7.00 GPM Water	3/4" NPT	-26	1.00-35.0 SCFM Air	3/4" NPT	-40	6.00-250.0 SCFM Air	1-1/2" NPT
-08	0.20-10.0 GPM Water	3/4" NPT	-27	2.00-50.0 SCFM Air	3/4" NPT	-41	2.00-310.0 SCFM Air	1-1/2" NPT
-09	0.60-14.00 GPM Water	3/4" NPT	-28	3.00-70.0 SCFM Air	3/4" NPT	-42	7.50-390.0 SCFM Air	1-1/2" NPT
-10	0.50-23.00 GPM Water	3/4" NPT	-29	4.00-85.0 SCFM Air	3/4" NPT	-43	10.0-510.0 SCFM Air	1-1/2" NPT
-11	0.50-11.0 GPM Water	1-1/2" NPT	-30	6.00-125.0 SCFM Air	3/4" NPT	-44	35.0-750.0 SCFM Air	1-1/2" NPT
-12	0.70-15.0 GPM Water	1-1/2" NPT	-31	6.0-160.0 SCFM Air	3/4" NPT	-45	20.0-1000.0 SCFM Air	1-1/2" NPT
-13	1.00-21.0 GPM Water	1-1/2" NPT	-32	4.00-260.0 SCFM Air	3/4" NPT			
-14	0.50-35.0 GPM Water	1-1/2" NPT						
-15	1.00-50.0 GPM Water	1-1/2" NPT						
-16	2.00-70.0 GPM Water	1-1/2" NPT						
-17	3.00-90.0 GPM Water	1-1/2" NPT						
-18	4.00-120.0 GPM Water	1-1/2" NPT						

Flowmeters, In-Line