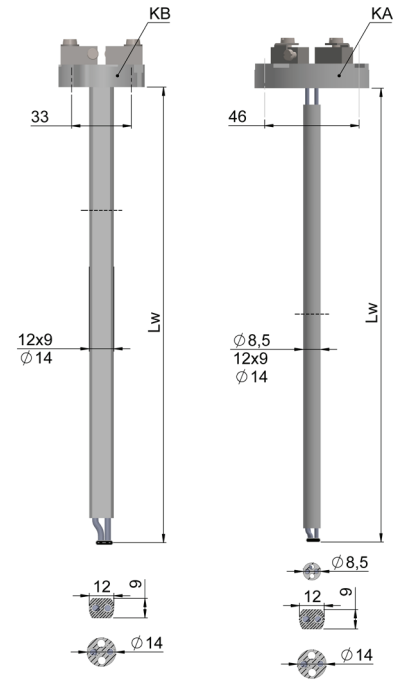


Replaceable measuring inserts for temperature sensors **WDJ, WDK**

Technical description

Measuring range / sensing element		
(-40 ÷ 750) °C	J	class 2
(-40 ÷ 1200) °C	K	class 2
Sheath		
– mullite 610 ceramics: ø8,5, thermocouple wire ø2 mm - KA		
– mullite 610 ceramics: 12x9, thermocouple wire ø3 mm - KA, KB		
– mullite 610 ceramics: ø14, thermocouple wire ø3 mm - KA, KB		
– length: L _w [mm]: 300+3035		
Options		
– double execution, diameter [mm]: ø8,5; ø14		
– thermocouple J, K: class 1		



Tolerance for thermocouples class acc to. PN-EN 60584

Thermocouple	Class 1		Class 2	
	Range [°C]	Tolerance [°C]	Range [°C]	Tolerance [°C]
J Fe-CuNi	(-40+375) (375+750)	±1,5 ±0,004 [t]	(-40+333) (333+750)	±2,5 ±0,0075 [t]
K NiCr-NiAl	(-40+375) (375+1000)	±1,5 ±0,004 [t]	from (-40+333) (333+1200)	±2,5 ±0,0075 [t]

Ordering code

Measuring insert	...	WD	...	/	...	-	...	-	...	-	...
Single		no sign									
Double		2									
Thermocouple Fe-CuNi										J	
Thermocouple NiCr-NiAl										K	
Thermowell dimensions [mm]										8,5; 12; 14	
Insert length L _w [mm]										1020*	
Thermocouple class											1, 2
Without mounting block											no sign
With mounting block for A terminal											KA
With mounting block for B terminal											KB

* or others acc. to requirements

Ordering example

WDK/14-1035-2