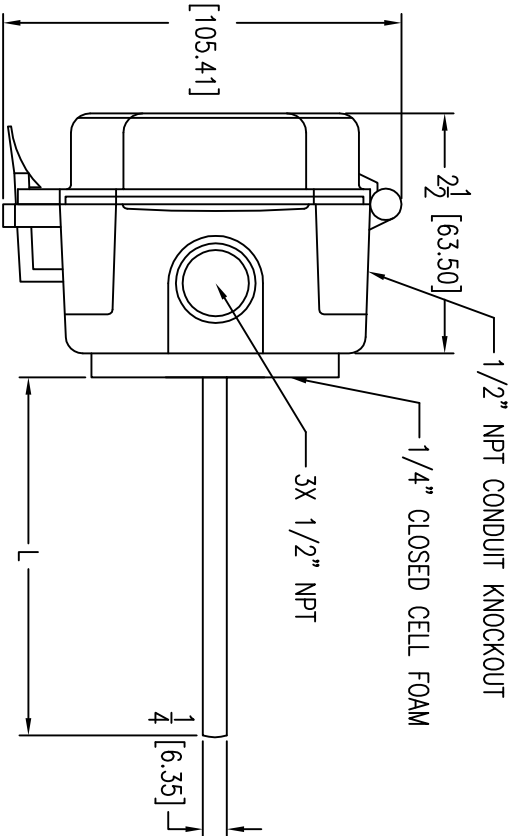
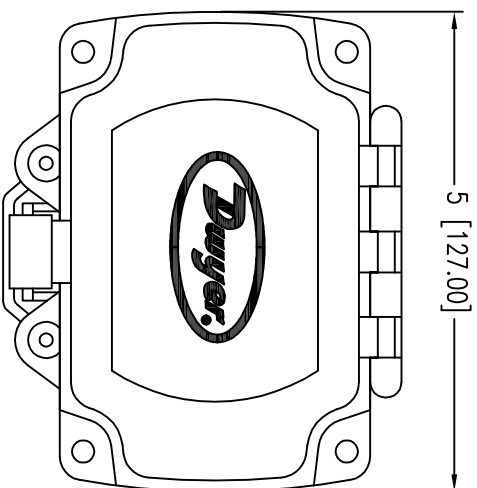


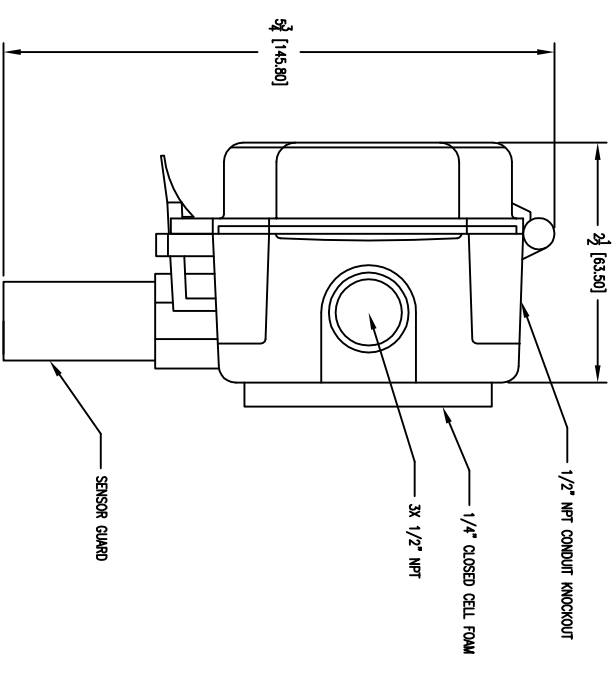
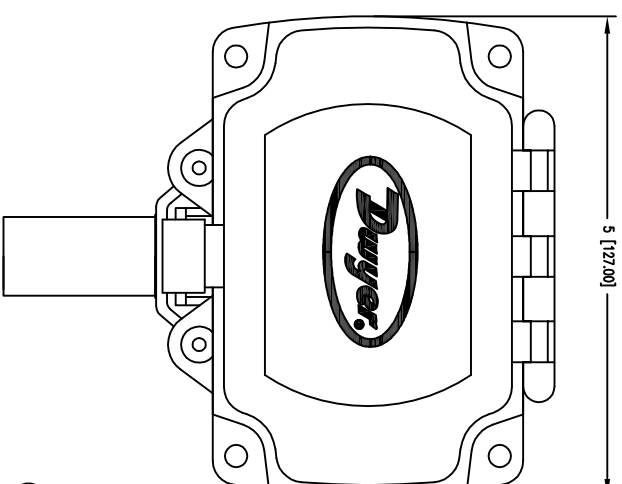
IMMERSION MODEL

MODEL	L
WTP-102	3.51"
WTP-104	5.76"
WTP-108	8.76"



DUCT MODEL

MODEL	L
WTP-D04	4"
WTP-D08	8"
WTP-D12	12"
WTP-D18	18"



OSA MODEL

① = CRITICAL DIMENSION
 STANDARD TOLERANCES UNLESS NOTED:
 ALL DECIMAL DIMENSIONS ± .005
 ALL ANGLES ± 1°

NO.	CHANGES	DATE		NAME
		BY/DATE	APPD	
				WTP SERIES WIRELESS TEMPERATURE SENSOR
		DWN BY	CHKD	
		APPD		
		ACAD2002		

MATERIAL
FINISH

DWYER INSTRUMENTS, INC.
 MICHIGAN CITY, INDIANA 46360 U.S.A.

FR. NO. 3

NOTICE: This drawing and the principles and elements of design embodied therein are the exclusive property of DWYER INSTRUMENTS, INC. and are not to be communicated, disclosed, reproduced or used except as previously authorized in writing by such corporation and must not be submitted to outside parties for examination without the written consent of said corporation.