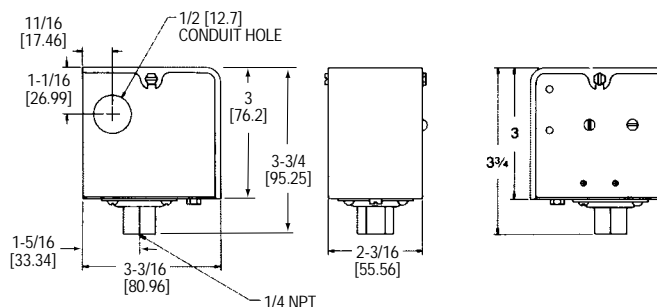


Series CS Low Cost Diaphragm Pressure Switches

Specifications - Installation and Operating Instructions



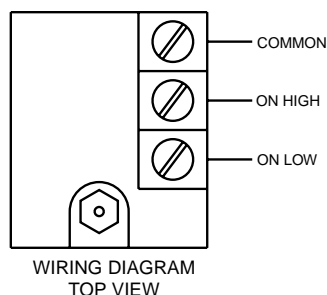
The Series CS Low Cost Diaphragm Pressure Switch is ideal for instrument panels, small compressors and general industrial applications. Visible set point and easy-to-wire SPDT snap switch reduce installation time. This switch operates in any position and is vibration resistant.

INSTALLATION/MOUNTING

The control can be pipe mounted. Do not twist the case when installing. Use wrench on the pressure connection flats.

WIRING

All wiring must conform to the National Electrical code and local regulations. Do not install control to handle loads in excess of electrical rating shown in specifications or as indicated on instructions inside control cover. Connect wiring to screw terminals depending on the action required. Common and High contacts will close and Common and Low contacts will open when increasing pressure (or vacuum) reaches set point. The reverse will occur when pressure (or vacuum) drops below the set point less the deadband.



CAUTIONS: Do not oil any parts. Mount control securely. Never exceed electrical rating for switch. Use only with compatible.

WARNING

A failure resulting in injury or damage can be caused by over-pressure, excessive vibration or pressure pulsation, excessive temperature, corrosion of pressure containing parts and movement assembly, electrical overload or other misuse.

PHYSICAL DATA

Temperature Limits: -30 to 150°F (-34.4 to 65.6°C)

Pressure Connections: 1/4" NPT(F)

Electrical Ratings: 12 A @ 120 VAC; 8 A @ 240 VAC; 7A @ 277 VAC; 1/8 HP @ 120 VAC; 1/4 HP @ 240 VAC

Switch Type: SPDT snap acting

Conduit Opening: 1/2"

Wiring Connections: Three screw type, common, N.O., N.C.

Set Point Adjustment: Screw type, inside cover

Housing: Galvanized steel, NEMA 1

Diaphragm: Buna-N/Nylon

Calibration Spring: Plated steel

Installation: Any position

Weight: 1/2 lb. (0.23 kg)

Model No.	Adjustable Operating Range	Fixed Deadband		Max. Pressure
		Maximum	Minimum	
CS-1	1-30" Hg. Vac.	1.5" Hg.	1" Hg. VAC	30 psig
	2.5-75 cm Hg. Vac	3.8 cm Hg. Vac	2.5 cm Hg. Vac	
CS-3	10-100" w.c.	7" w.c.	5" w.c.	30 psig
	2.5-250 cm w.c.	17.8 cm w.c.	12.7 cm w.c.	
CS-10	1-10 psig	0.4 psig	0.25 psig	30 psig
	0.07-0.7 kg/cm ²	0.03 kg/cm ²	0.02 kg/cm ²	
CS-30	1-30 psig	1.0 psig	0.5 psig	50 psig
	0.07-2.1 kg/cm ²	0.07 kg/cm ²	0.035 kg/cm ²	
CS-150	10-150 psig	5 psig	1.5 psig	175 psig
	0.07-10.5 kg/cm ²	0.35 kg/cm ²	0.1 kg/cm ²	