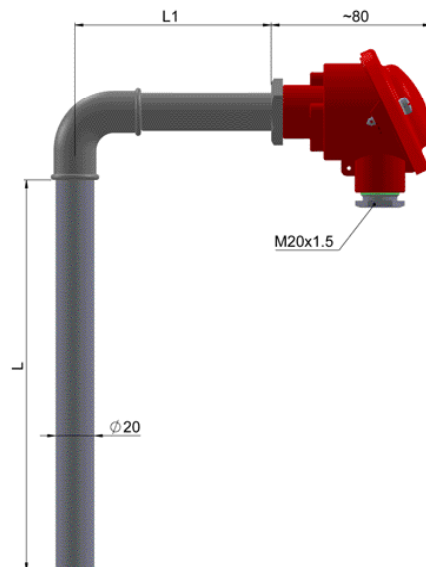


Temperature sensors with replaceable measuring inserts **TTJK-1, TTKK-1**

Technical description

Measuring range* / sensing element		
(-40 ÷ 750) °C	J	class 2
(-40 ÷ 1200) °C	K	class 2
Measuring insert – p. 47		
– thermoelectric wire insert WDJ/K-12		
– insert length: $L_w = L + L_1 + 40$ mm		
Sheath		
– material: steel 1.4841, max. temperature 1150 °C		
– material: steel 15Cr25T, max. temperature 1000 °C		
– length L [mm]: 500÷1000		
– length L_1 [mm]: 300, 400, 500, 600		
Connection head		
– BA, IP54, (-40 ÷ 100) °C		
Options		
– thermocouple J, K: class 1		
Additional accessories		
– temperature transmitters – p. 225+241		
– compensation cables – p. 197		
– mounting brackets: UG1-20 – p. 215		

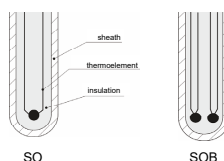


* applies to clean air

Tolerance for thermocouples class acc to. PN-EN 60584

Thermocouple	Class 1		Class 2	
	Range [°C]	Tolerance [°C]	Range [°C]	Tolerance [°C]
J Fe-CuNi	(-40+375) (375÷750)	±1,5 ±0,004 [t]	(-40+333) (333÷750)	±2,5 ±0,0075 [t]
K NiCr-NiAl	(-40+375) (375÷1000)	±1,5 ±0,004 [t]	from (-40+333) (333÷1200)	±2,5 ±0,0075 [t]

Types of measuring hot junction



Ordering code

Temperature sensor	T	...	K-1	- ... -
Thermocouple Fe-CuNi	TJ					
Thermocouple NiCr-NiAl	TK					
Sheath length $L \times L_1$ [mm]			800x600*			
Thermocouple class						1, 2
Material of the sheath						1.4841, 15Cr25T

* or others acc. to requirements

Ordering example

TTJK-1-500x400-2-1.4841