

Drilled thermowells for use in high pressure and high flow, as security for the proper operation of RTD and TC sensors (ex. type TOPGI-11) in measurement applications. The whole element is made of a single material with a deep drilling over the entire length. They are widely used in heavy industry, food, chemical and power industry. The thermowell is screwing in a place of measurement via threaded connector.

Specifications

Material

structural steel: 1.0460
 boiler steel: 1.7335, 1.7380
 stainless steel: 1.4541, 1.4571, 1.4404

Design version

- straight
- tapered
- stepped

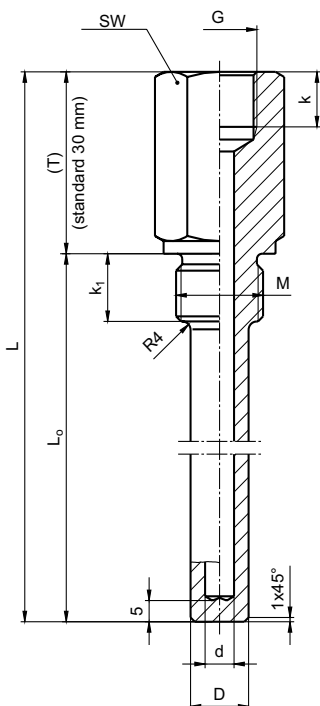
Bore diameter d	Min. thermowell diameter D	Max. thermowell length L
ø3.5	ø10	400
ø7	ø12	700
ø9	ø15	600
ø12	ø18	700
ø12		1400
ø14	ø20	600

*other dimensions

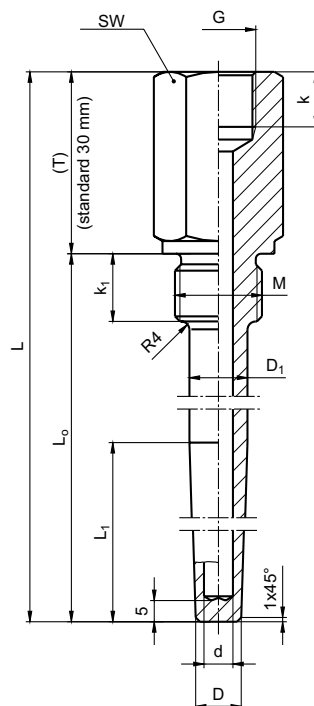
Thread dimensions M	Thread length k ₁	Hexagon dimensions SW	Thread dimensions G	Thread length k
M20x1,5 G½	14	27	M20x1,5 G½ ½NPT	15
½NPT	20	27		
M27x2 G¾	16	32		
¾NPT	20	27		
G1	18	41		

*other dimensions

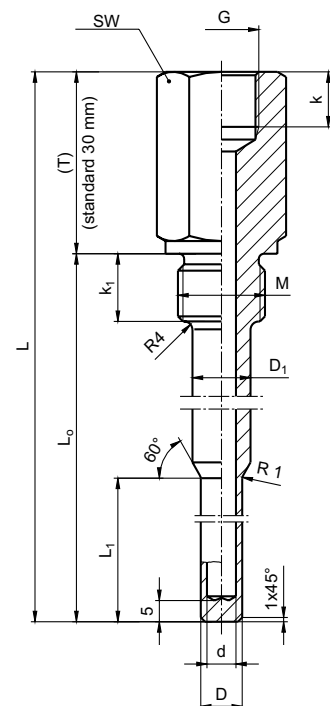
straight SWG-P



tapered SWG-Z



stepped SWG-S



Product code

		Designed version	
		P	straight
		Z	tapered
1	<input type="text"/>	S	stepped
		Thread dimensions M	
		M20x1,5	metric thread M20x1,5
2	<input type="text"/>		other parameters acc to requirements
		Thread length k₁	
		14	14 mm
3	<input type="text"/>		other parameters acc to requirements
		Thermowell diameter D	
		18	18 mm
4	<input type="text"/>		other parameters acc to requirements
		Thermowell diameter D₁*	
		20	20 mm
5	<input type="text"/>		other parameters acc to requirements
		Bore diameter d	
		7	7 mm
6	<input type="text"/>		other parameters acc to requirements
		Thread dimensions G	
		M20x1,5	metric thread M20x1,5
7	<input type="text"/>		other parameters acc to requirements
		Thread length k	
		15	15 mm
8	<input type="text"/>		other parameters acc to requirements
		Total length L	
		300	300 mm
9	<input type="text"/>		other parameters acc to requirements
		Length L₀	
		100	100 mm
10	<input type="text"/>		other parameters acc to requirements
		Length L₁*	
		65	65 mm
11	<input type="text"/>		other parameters acc to requirements
		Material	
		A	structural steel 1.0460
		B	boiler steel 1.7335
		C	boiler steel 1.7380
		D	stainless steel 1.4541
		E	stainless steel 1.4571
		F	stainless steel 1.4404
12	<input type="text"/>		other parameters acc to requirements

* No parameter for thermowell SWG-P

1 2 3 4 5 6 7 8 9 10 11 12

SWG - - - - - - - - - - - - -

Ordering example:

SWG-P-M20x1,5-14-18-7-M20x1,5-15-260-200-B