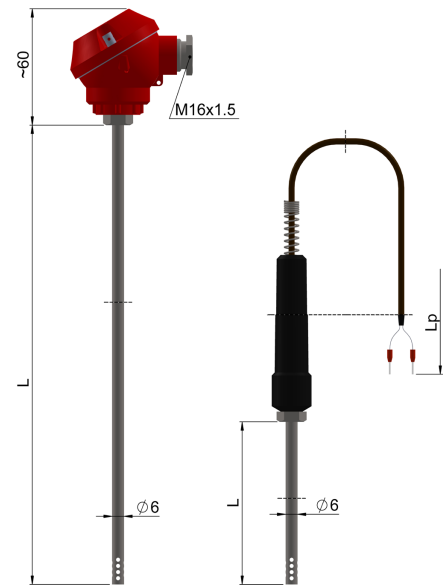


Temperature sensors for ventilation system TOPW-1, TOPWE-1

Dane techniczne

Measuring range / sensing element		
(-50 ÷ 400) °C	Pt100	class B; head connection
(-50 ÷ 180) °C	Pt100	class B; lead wire
Thermowell		
– material: steel 1.4541		
– diameter [mm]: $\phi 6$		
– length L [mm]: 50÷1000		
– perforated sheath, max. of the environment humidity: 85% RH		
Connection head		
– MA, IP54 (-40 ÷ 100) °C		
Construction version		
– plastic handle, max. working temperature 80 °C		
– Cu wire: 2, 4x0,22 mm ² in double silicone insulation		
– length L _p =1,5m (standard)		
Options		
– Pt500, Pt1000, Ni100, Ni1000		
– 2-wire connection connection: double sensors		
– 3-, 4-wire connection: single sensors		
– Pt100: class A (-30 ÷ 300) °C, class AA (0 ÷ 150) °C		
Additional accessories		
– mounting brackets: UG-1, UG-3, UG-8, UZK-1 – p. 215+216		
– temperature transmitters – p. 237		
– flat miniature plug (2 or 3 pin) – p. 198+199		



Response time T05/T09

Sensor type	$\phi 9$	$\phi 11$
Pt	$\leq 33/\leq 95$	$\leq 40/\leq 120$
J, K insulated junction	$\leq 22/\leq 62$	$\leq a27/\leq 90$
J, K grounded junction	$\leq 3/\leq 8$	$\leq 6/\leq 15$

Resistors tolerance acc. to PN-EN 60751

Class	Wire wound resistor	
	Range [°C]	Tolerance [°C]
AA	(-50÷250)	$\pm(0,1+0,0017 \cdot t)$
A	(-100÷450)	$\pm(0,15+0,002 \cdot t)$
B	(-196÷600)	$\pm(0,3+0,005 \cdot t)$

Ordering code

Temperature sensor	...	TOPW	...	1
Single	no sign									
Double	2									
With transmitter for TOPW-1	AP									
Head connection		no sign								
Lead wire connection			E							
Sheath length L [mm]						1000*				
Resistor class								A, B*		
Measuring circuit									2, 3, 4	
Type of transmitter										LTT-03J
Setting of transmitter temperature										(0 ÷ 100) °C*
Cable length L _p [m]										1,5m*

* or others acc. to requirements

Ordering example

TOPWE-1-200-A-3-2m single sensor Pt100, class A, 3-wire connection, sheath diameter $\phi 6$ mm, length L=200 mm, cable length L_p=2m