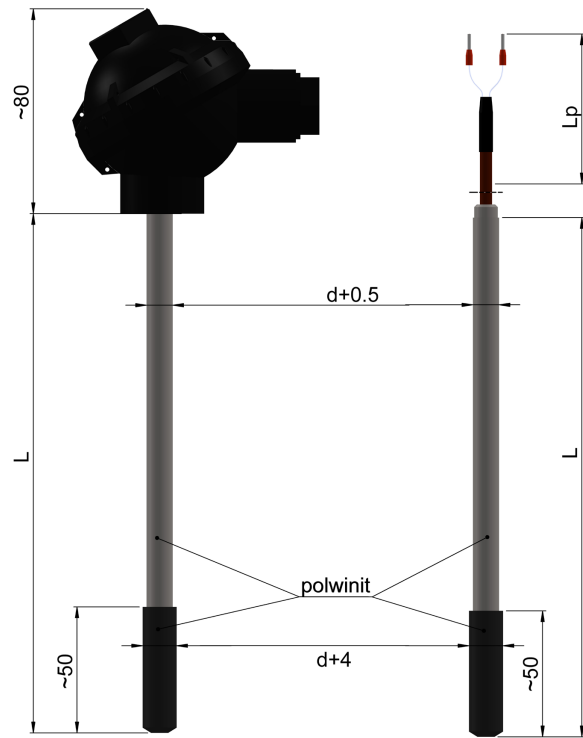


Temperature sensors for aggressive environments TOPCV-1, TOPCVE-1

Technical description

Measuring range / sensing element		
(0 + 100) °C	Pt100	class B
Thermowell		
– material: steel 1.4541, sheathed with heat-resistant PVC		
– length L [mm]: 200+2000		
Connection head for TOPVC-1		
– NS, IP54, (-30 ÷ 80) °C		
Lead wire for TOPCVE-1		
– Cu wire: 2, 4×0,22 mm ² in double teflon insulation		
– length L _p =1,5m (standard)		
Options		
– Pt500, Pt1000, Ni100, Ni1000		
– Pt100: class AA (0 ÷ 100) °C		
Additional accessories		
– temperature transmitters – p. 225+241		



Resistors tolerance acc. to PN-EN 60751

Class	Wire wound resistor	
	Range [°C]	Tolerance [°C]
AA	(-50+250)	±(0,1+0,0017· t)
A	(-100+450)	±(0,15+0,002· t)
B	(-196+600)	±(0,3+0,005· t)

Response time T05/T09

Sensor type	ø9	ø11
Pt	≤33/≤95	≤40/≤120

TEMPERATURE SENSORS FOR AGGRESSIVE ENVIRONMENTS

K

Ordering code

Temperature sensor	...	TOPCV	...	1
Single		no sign							
Double		2							
With transmitter		AP							
Head connection				no sign					
Lead wire connection				E					
Sheath length L [mm]						500*			
Thermowell diameter d [mm]							9, 11		
Resistor class								A, B*	
Measuring circuit									2, 3, 4
Cable length L _p [m] (for TOPCVE)									1,5m*

* or others acc. to requirements

Ordering example

TOPCVE-1-500-11-A-3-2 wired sensor Pt100, class A, 3-wire connection, sheath diameter ø11 mm, sheath length L = 500 mm, lead wire length L_p = 2m