

# DIGITAL PRESSURE GAUGES WITH SELECTABLE ENGINEERING UNITS AND MEASUREMENT MEMORY

**0-3 to 0-5000 psi Range  
Gauge, Compound Gauge,  
Absolute and Vacuum Models Available**

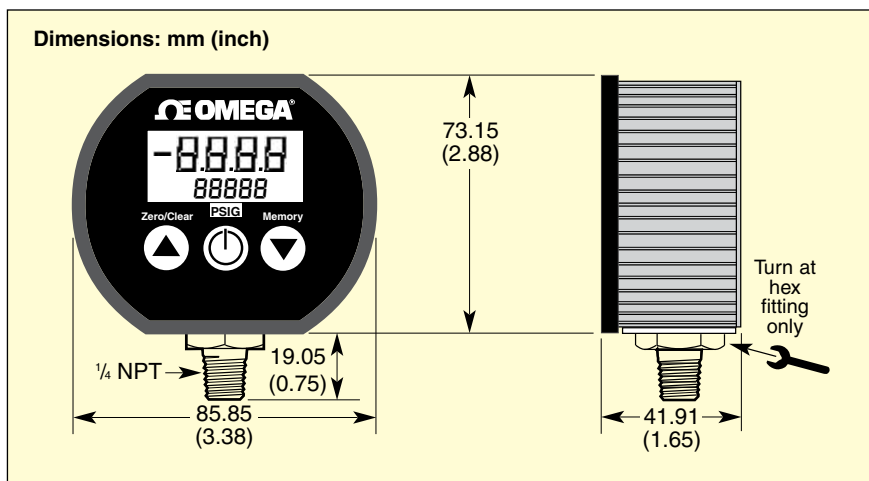
## DPG2001B Series



DPG2001B-300G

- ✓ ±0.25% Accuracy
- ✓ 316 SS Wetted Parts
- ✓ Selectable Engineering Units
- ✓ Selectable Auto Shutoff Times
- ✓ Front Zero Function
- ✓ Memory up to 6 Readings
- ✓ 4-Digit Display with 5 Character Alphanumerics
- ✓ Optional Backlit Display
- ✓ Optional NEMA 4X Case

OMEGA's DPG2001B Series digital pressure gauges are high accuracy battery powered gauges that include many premium functions at no extra cost. Options are available for a NEMA 4X case and backlighting. Each unit has a dual display (digital and alphanumeric), memory for 6 readings, front panel auto zero, auto shutoff from 1 minute to 8 hours, and up to 15 selectable engineering units depending upon the range.



## SPECIFICATIONS

**Power:** 2 AA batteries (included)

**Battery Life:** Approx. 2000 hrs or with backlighting (red): 150 to 1500 hours, depending upon use of backlighting

**Accuracy:** ±0.25% FS ±1 digit (includes linearity, hysteresis and repeatability)

**Display:** 4 digit, 0.5" H and 5 character 0.25" H alphanumeric

**Auto Shutoff:** 1 minute to 8 hours, or front button ON/OFF. Factory default is 5 minutes

**Overpressure:**

**5000 psi Range:** 7500 psi

**3000 psi Range:** 5000 psi

**All Other Ranges:** 2X pressure range

**Overpressure Display:** i---- or i-.-.-

**Burst Pressure:** 4X pressure range or 10,000 psi, whichever is less

**Storage Temperature:** -40 to 95°C (-40 to 203°F)

**Operating Temperature:** -20 to 85°C (-4 to 185°F)

**Compensated Temperature:** 0 to 70°C (32 to 158°F)

**Material:** Extruded aluminum case, epoxy powder coated, ABS/polycarbonate bezel, front and rear gaskets, polycarbonate label

**NEMA 4X:** ABS/Polycarbonate NEMA 4X case, rear gasket, polycarbonate label  
**Pressure Connection:** ¼ NPT male fitting, 316L SS

**Media Compatibility:** Liquids and gases compatible with 316L SS  
**Dimensions:** 86 L x 73 H x 42 mm D (3.38 x 2.88 x 1.65")  
**Weight:** 250 g (8.8 oz)

**OPTIONS**

**Backlighting:** Add suffix "-BL" to standard battery powered model, add additional cost to price  
**NEMA 4X Case:** Change model number to DPG2004, add additional cost to price

RANGE CODE	SELECTABLE ENGINEERING UNITS															
03	psi	inHg	inH <sub>2</sub> O	oz/in <sup>2</sup>	g/cm <sup>2</sup>	mmHg	torr	mbar	bar	mmH <sub>2</sub> O	cmH <sub>2</sub> O	ftH <sub>2</sub> O	kPa		kg/cm <sup>2</sup>	atm
05	psi	inHg	inH <sub>2</sub> O	oz/in <sup>2</sup>	g/cm <sup>2</sup>	mmHg	torr	mbar	bar	mmH <sub>2</sub> O	cmH <sub>2</sub> O	ftH <sub>2</sub> O	kPa		kg/cm <sup>2</sup>	atm
15	psi	inHg	inH <sub>2</sub> O	oz/in <sup>2</sup>	g/cm <sup>2</sup>	mmHg	torr	mbar	bar		cmH <sub>2</sub> O	ftH <sub>2</sub> O	kPa	MPa	kg/cm <sup>2</sup>	atm
30	psi	inHg	inH <sub>2</sub> O	oz/in <sup>2</sup>	g/cm <sup>2</sup>	mmHg	torr	mbar	bar		cmH <sub>2</sub> O	ftH <sub>2</sub> O	kPa	MPa	kg/cm <sup>2</sup>	atm
60	psi	inHg	inH <sub>2</sub> O	oz/in <sup>2</sup>	g/cm <sup>2</sup>	mmHg	torr	mbar	bar		cmH <sub>2</sub> O	ftH <sub>2</sub> O	kPa	MPa	kg/cm <sup>2</sup>	atm
100	psi	inHg	inH <sub>2</sub> O	oz/in <sup>2</sup>	g/cm <sup>2</sup>	mmHg	torr	mbar	bar		cmH <sub>2</sub> O	ftH <sub>2</sub> O	kPa	MPa	kg/cm <sup>2</sup>	atm
200	psi	inHg	inH <sub>2</sub> O	oz/in <sup>2</sup>					bar			ftH <sub>2</sub> O	kPa	MPa	kg/cm <sup>2</sup>	atm
300	psi	inHg		oz/in <sup>2</sup>					bar			ftH <sub>2</sub> O	kPa	MPa	kg/cm <sup>2</sup>	atm
500	psi	inHg							bar			ftH <sub>2</sub> O	kPa	MPa	kg/cm <sup>2</sup>	atm
1000	psi	inHg							bar			ftH <sub>2</sub> O	kPa	MPa	kg/cm <sup>2</sup>	atm
2000	psi	inHg							bar			ftH <sub>2</sub> O		MPa	kg/cm <sup>2</sup>	atm
3000	psi	inHg							bar			ftH <sub>2</sub> O		MPa	kg/cm <sup>2</sup>	atm
5000	psi								bar					MPa	kg/cm <sup>2</sup>	atm



DPG2001B-300G shown smaller than actual size with customer installed pipe fitting.

To Order	
RANGE	BATTERY POWERED MODEL NO.
<b>ABSOLUTE PRESSURE, VACUUM AND COMPOUND RANGES</b>	
15.00 to 0 psia	DPG2001B-15A
0 to 15.00 psiv	DPG2001B-15VAC
±15.00 psig	DPG2001B-15V15G
30.00 to 0 psia	DPG2001B-30A
100.0 to 0 psia	DPG2001B-100A
-15.0 to 100.0 psig	DPG2001B-15V100G
-15.0 to 200.0 psig	DPG2001B-15V200G
<b>GAUGE PRESSURE</b>	
0 to 3.000 psig	DPG2001B-03G
0 to 5.000 psig	DPG2001B-05G
0 to 15.00 psig	DPG2001B-15G
0 to 30.00 psig	DPG2001B-30G
0 to 60.00 psig	DPG2001B-60G
0 to 100.0 psig	DPG2001B-100G
0 to 200.0 psig	DPG2001B-200G
0 to 300.0 psig	DPG2001B-300G
0 to 500.0 psig	DPG2001B-500G
0 to 1000 psig	DPG2001B-1000G
0 to 2000 psig	DPG2001B-2000G
0 to 3000 psig	DPG2001B-3000G
0 to 5000 psig	DPG2001B-5000G
<b>OPTIONS*</b>	
<b>-BL</b>	Backlighting (red)
<b>DPG2004B-(range)</b>	NEMA 4X case
<b>-NIST</b>	5-point NIST calibration

Comes complete with operator's manual and 2 "AA" batteries.

\* To order with optional backlighting add suffix "-BL" to model number and additional cost to the price; To order with optional 5-point NIST calibration "-NIST" to model number and additional cost to price.

**Ordering Examples:** DPG2004B-15V15G, ±15 psig digital gauge in NEMA 4X case with selectable units and memory.

DPG2001B-100G, 100 psig digital gauge in standard case with selectable units and memory.