

GENERAL PURPOSE DIGITAL PRESSURE GAUGE

WITH 0.25% TERMINAL POINT ACCURACY

Ranges from Vacuum to 25,000 psi
(30 inHg to 1724 bar)

DPG8001 Series



- ✓ 0.25% Full Scale Terminal Point Accuracy Typical
- ✓ Enhanced Value vs. Mechanical Gauge
- ✓ 5 Digit LCD Display with Large 12.2 mm (0.48") Digits
- ✓ 20 Segment Bar Graph Display
- ✓ User-Selectable Engineering Units
- ✓ MIN/MAX Readings
- ✓ Tare Function Standard
- ✓ Environmentally Protected to NEMA 4X (IP65)
- ✓ All Stainless Steel Wetted Parts



DPG8001

The DPG8001 Series digital pressure gauges offer 0.25% full scale terminal point accuracy in a rugged easy-to-use unit and is price comparable to that of mechanical test gauges. All Stainless Steel wetted parts make them suitable for a wide variety of industrial liquids and gaseous media. This series features user-selectable engineering units, allowing one gauge to be used for a variety of pressure scales.

The DPG8001 comes standard with many features that are either not available or extra cost options on many competitive digital gauges such as a tare, 20 segment bar graph MIN/MAX Memory, 9 engineering units and backlighting for easy reading.

SPECIFICATIONS

Accuracy: 0.25% FS terminal point (0.5% full scale terminal point for ranges 15 psi, 30 Vac, 30V15 and 30V30)

Ranges: Vacuum through 25,000 psi gauge, vacuum and compound gauge

Battery: Two "AA" alkaline included

Battery Life: 2000 hr. minimum

Battery Indicator: 4 levels

Media Temperature: -20 to 80°C (-4 to 176°F)

Operating Temperature: -20 to 60°C (-4 to 140°F)

Temperature Effects: 0.04%/°F (-20 to 180°F) zero and span

Update Rate: 1 Hz

Cycle Life: 10 million

Vibration: MIL-STD-202G Method 201A

Shock: MIL-STD-202G Method 213 B

Display: 4 or 5-digit based upon resolution available

Bar Graph: 20 segment vertical bar graph

Digit Height: 12.2 mm (0.48") upper line; 6.1 mm (0.24") lower line

Display Indicators: 4-segment battery life indicator plus dedicated icons for gauge timer, backlight timer, tare, min and max

View Angle: 12 o'clock

Backlight: Standard, blue

Enclosure Material (Case and Back): Polycarbonate/ABS

Window: Polycarbonate

Enclosure Rating: NEMA 4X (IP67)

Protective Boot: Standard

Serial Number: Yes

Proof Pressure

Vac to <300 psi: 200% range
 300 to <5000 psi: 150% range
 5000 to 25,000 psi: 120% range

Burst Pressure

Vac to <300 psi: 800% range
 300 to <5000 psi: 500% range
 5000 to 25,000 psi: 300% range

Keypad Functions

3 Key with Multi Press Functionality

On/Off: Power symbol and enter
Zero: Zero, tare, and scroll up arrow
Menu: access, backlight, down arrow

Engineering Units: psi, bar, inHg, cmHg, mmHg, kPa, mPa, kg/cm², ftH₂O, custom units, except on compound gauge ranges

Auto-Off: Programmable for 1, 5 or 20 minutes or none for on/off

Display Update: Adjustable for 1 sec, 500 msec or 250 msec

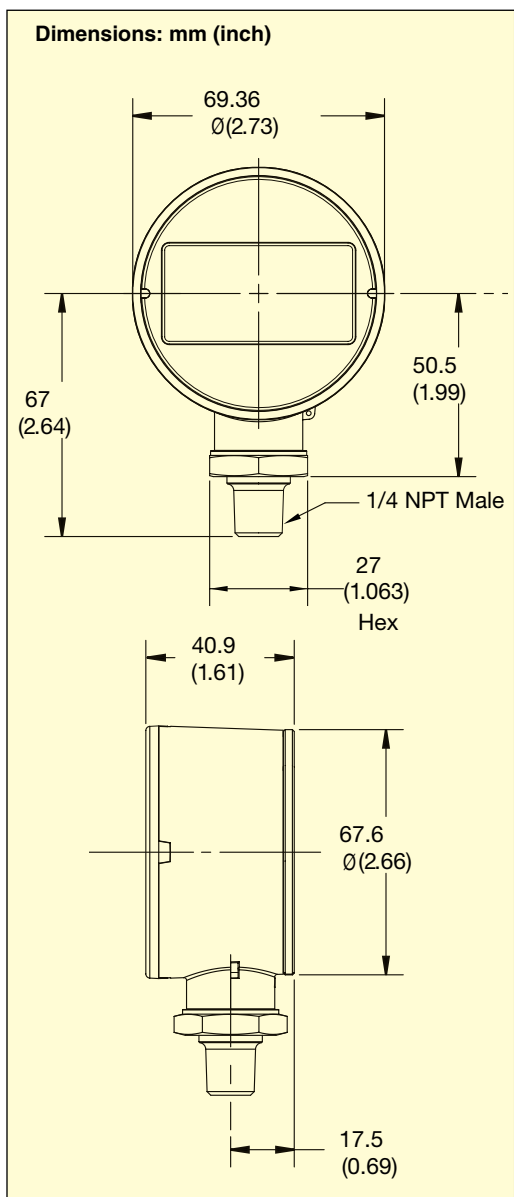
Agency Approvals: CE (heavy industrial), ASME B40.7, RoHs, UL 61010/cUL pending

Connection: ¼ NPT male, lower position up to 10,000 psi

>10,000 psi: ¼-18 UNF Female AMINCO

Dimensions: 27 mm Hex (1 ¼")

Wetted Parts: 17-4 SS & 316L SS laser welded



To Order

RANGE/RESOLUTION	MODEL NO.
VACUUM AND COMPOUND GAUGE RANGES	
30.00 inHg to 0	DPG8001-VAC
30.00 inHg to 15.00 psi	DPG8001-30V15
30.00 inHg to 30.00 psi	DPG8001-30V30
30.00 inHg to 60.00 psi	DPG8001-30V60
30.00 inHg to 100.0 psi	DPG8001-30V100
30.00 inHg to 150.0 psi	DPG8001-30V150
30.00 inHg to 300.0 psi	DPG8001-30V300
GAUGE PRESSURE (PSI)	
0 to 15.00	DPG8001-15
0 to 30.00	DPG8001-30
0 to 60.00	DPG8001-60
0 to 100.0	DPG8001-100
0 to 200.0	DPG8001-200
0 to 300.0	DPG8001-300
0 to 500.0	DPG8001-500
0 to 1000	DPG8001-1K
0 to 1500	DPG8001-1.5K
0 to 2000	DPG8001-2K
0 to 3000	DPG8001-3K
0 to 5000	DPG8001-5K
0 to 10,000	DPG8001-10K
0 to 15,000	DPG8001-15K†
0 to 20,000	DPG8001-20K†
0 to 25,000	DPG8001-25K†

Comes complete with protective rubber boot, 2 "AA" batteries, and operator's manual.
 † 15,000, 20,000 and 25,000 psi models supplied with female AMINCO ¼-18 UNF female AMINCO fitting.

Ordering Examples: DPG8001-15, digital pressure gauge with range of 0 to 15 psi with protective rubber boot and backlight.

DPG8001-30V30, digital pressure gauge with range of 30" Hg Vacuum to 30 psi compound gauge pressure with protective rubber boot and backlight.