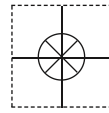


1 YEAR
WARRANTY



Ω OMEGA® **User's Guide**



***Shop online at
omega.com®***

***e-mail: info@omega.com
For latest product manuals:
www.omegamanual.info***

FPD3000-D and FPD3000-D-A Series

**12mm LC Digital Display
with Analog Output Options for
FPD3000, FPD3200, FPD3300 Series**



omega.com info@omega.com

Servicing North America:

U.S.A.:

Omega Engineering, Inc., One Omega Drive, P.O. Box 4047
Stamford, CT 06907-0047 USA

Toll-Free: 1-800-826-6342 (USA & Canada only)

Customer Service: 1-800-622-2378 (USA & Canada only)

Engineering Service: 1-800-872-9436 (USA & Canada only)

Tel: (203) 359-1660

Fax: (203) 359-7700

e-mail: info@omega.com

For Other Locations Visit omega.com/worldwide

Product Overview

General Product Functionality	Page 4
-------------------------------------	--------

Type FPD3000-D Digital Register

Program Overview	Page 5
Set-up Functions	Page 6
Wiring Diagram	Page 7
Parts Listing	Page 7
Technical Specifications	Page 8

Type FPD3000-D-A Digital Register

Program Overview	Page 10
Set-up Functions	Page 11-13
Wiring Diagram	Page 13
Outputs	Page 14
Parts Listing	Page 15
Technical Specifications	Page 16-17
List Configuration Settings	Page 18
Wall Mount Bracket Dimensions	Page 19

Please read and retain this instruction manual to assist you in the operation of this product.
This Instruction Manual provides a instruction guide on the set-up and programming of the Type FPD3000-D and FPD3000-D-A, 12mm LCD Digital Register.

PRODUCT OVERVIEW

SYSTEM DESCRIPTION OF THE FPD3000-D and FPD3000-D-A

Functions and features

The flow rate / totalizer model FPD3000 series is a microprocessor driven instrument designed to display flow rate, total and accumulated total.

This product has been designed with a focus on:

ultra-low power consumption to allow long-life battery powered applications.

The glass reinforced polypropylene housing offers IP65 environmental protection.

Configuration of the unit

The FPD3000 Series has been designed to be implemented in many types of applications. For that reason, a SETUP-level is available to configure your FPD3000 according to your specific requirements.

It includes several important features, such as K-factors, measurement units etc. All settings are stored in EEPROM memory and will not be lost in the event of power failure.

Display information

The unit has a large transfective LCD with a range of symbols and digits to display measuring units, status information, trend-indication and key-word messages.

Flow rate and totals can be displayed by using the S button to move through the various options..

A backup of the total and accumulated total in EEPROM memory is made every minute.

OPERATIONAL GENERAL

This chapter describes the daily use of the FPD3000-D / -D-A Series Digital Register. This instruction is meant for users / operators.

CONTROL PANEL

The following keys are available:



Functions of the keys



This key is used to program and save new values or settings.
It is also used to gain access to SETUP-level.



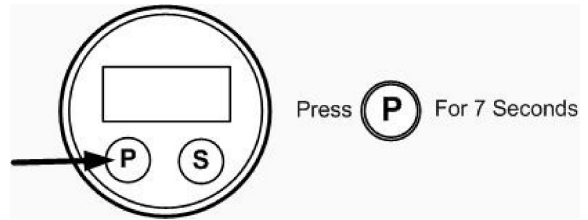
This key is used to SELECT the display defaults, ACC.TOTAL, RATE, TOTAL, BATCH
The key is also used in the setup program to scroll through the base levels and options in each level



Pressing both keys simultaneously to CLEAR the value for total and batch then press P for NO or S for YES to clear the total/batch.
In the setup mode pressing both keys simultaneously whilst in the upper levels of each of the functions will allow modification of the setting and pressing again will save

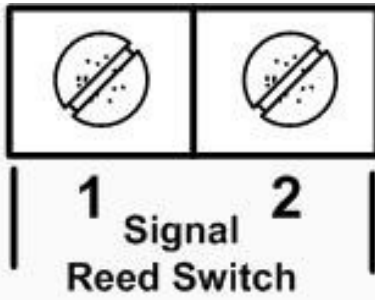
GENERAL

Configuration of the FPD3000-D is done at SETUP-level. SETUP-level is reached by pressing the PROG/ENTER key for 7 seconds; at which time, setup will be displayed. In order to return to the operator level, PROG will have to be pressed for three seconds. Alternatively, if no keys are pressed for 2 minutes, the unit will exit SETUP automatically. SETUP can be reached at all times while the register remains fully operational.



SETUP FUNCTIONS AND VARIABLES			
1	TOTAL/BATCH TOTAL		
	1.1	UNIT	L - m3 - UKGAL - USGAL - Oilbbl -UKbbl -USbbl
	1.2	DECIMALS	0 - 1 - 2 - 3
2	ACCUMULATED TOTAL		
	2.1	UNIT	L - m3 - UKGAL - USGAL - Oilbbl -UKbbl -USbbl
	2.2	DECIMALS	0 - 1 - 2 - 3
3	RATE		
	3.1	UNIT	L - m3 - UKGAL - USGAL - Oilbbl -UKbbl -USbbl
	3.2	PERIOD	sec - min - hour
	3.3	DECIMALS	0 - 1 - 2 - 3
	3.4	CALCULATION	per 1 - 255 pulses (default 10)
	3.5	CUT-OFF	0.1 - 999.9 seconds (Default 35)
4	METER		
	4	METER SIGNAL	Reed Switch Only
	4.1	K FACTOR (Pulses per Unit)	0000.000 to 9999.999
5	OTHERS		
	6.1	TYPE	PR
	6.2	SOFTWARE VERSION	03.xx.xx
	6.3	SERIAL NO.	xxxxxxx

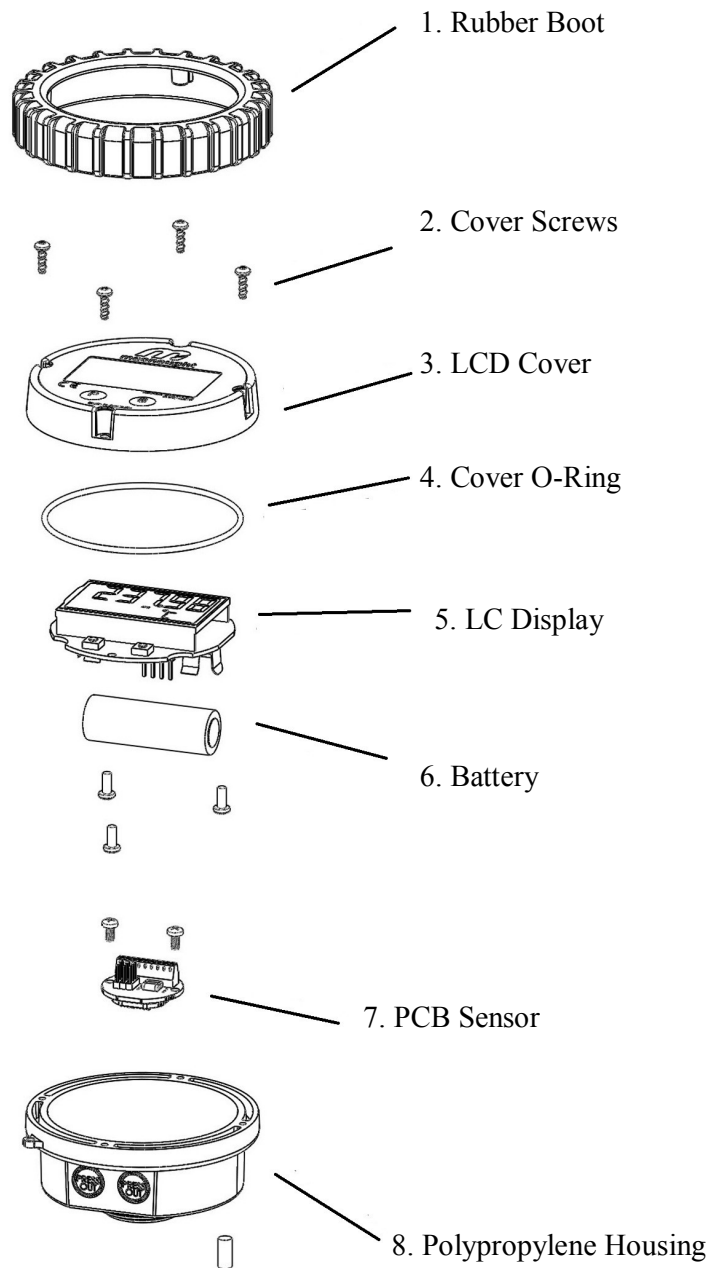
SETUP PARAMETERS	
TOTAL/BATCH TOTAL 1.1	<p>SETUP - 1.1 determines the measurement unit for total and batch total. The following units can be selected:</p> <p style="text-align: center;">L - m3 - UKGAL - USGAL - UKbbl - USbbl - OILbbl</p> <p>Please note that the K-Factor entered in 4.1 should be in pulses per litre and unit adjustment is done automatically.</p>
DECIMALS 1.2	<p>The decimal point determines for total and batch total the number of digits following the decimal point. The following can be selected:</p> <p style="text-align: center;">0000000 - 111111.1 - 22222.22 - 3333.333</p>
TOTAL ACCUMULATED 2.1	<p>SETUP - 2.1 determines the measurement unit for accumulated total. The following units can be selected:</p> <p style="text-align: center;">L - m3 - UKGAL - USGAL - UKbbl - USbbl - OILbbl</p> <p>Please note that the K-Factor entered in 4.1 should be in pulses per litre and unit adjustment is done automatically.</p>
Decimals 2.2	<p>The decimal point determines for accumulated total the number of digits following the decimal point. The following can be selected:</p> <p style="text-align: center;">0000000 - 111111.1 - 22222.22 - 3333.333</p>
Flow Note	<p><i>The settings for total and flow rate are entirely separate. In this way, different units of measurement can be used for each e.g. cubic meters for total and liters for flow rate.</i></p> <p><i>The display update time for flow rate is one second or more.</i></p>
RATE 3.1	<p>SETUP - 21 determines the measurement unit for flow rate.</p> <p>The following units can be selected:</p> <p style="text-align: center;">L - m3 - UKGAL - USGAL - UKbbl - USbbl - OILbbl</p> <p>Please note that the K-Factor entered in 4.1 should be in pulses per litre and unit adjustment is done automatically.</p>
TIME UNIT 3.2	<p>The flow rate can be calculated per second (SEC), minute (MIN), hour (HR) or day (DAY).</p>
DECIMALS 3.3	<p>This setting determines for flow rate the number of digits following the decimal point. The following can be selected:</p> <p style="text-align: center;">00000 - 1111.1 - 2222.22 - 3333.333</p>
CALCULATION 3.4	<p>The flow rate is calculated by measuring the time between a number of pulses, for example 10 pulses. The more pulses the more accurate the flow rate will be. The maximum value is 255 pulses.</p> <p>Note: <i>the lower the number of pulses, the higher the power consumption of the unit will be (important for battery powered applications).</i></p> <p>Note: <i>for low frequency applications (below 10Hz): do not program more than 10 pulses else the update time will be very slow.</i></p> <p>Note: <i>for high frequency application (above 1kHz) do program a value of 100 or more pulses.</i></p>
CUT-OFF TIME 3.5	<p>With this setting, you determine a minimum flow requirement threshold, if during this time less than XXX-pulses (SETUP 26) are generated, the flow rate will be displayed as zero. The cut-off time has to be entered in seconds - maximum time is 999 seconds (about 15 minutes).</p>
K-FACTOR 4.1	<p>With the K-factor, the flow meter pulse signals are converted to a flow rate. The K-factor is based on the number of pulses generated by the flow meter per selected measurement unit (SETUP 1.1), for example per liter. The more accurate the K-factor, the more accurate the functioning of the system will be.</p>
	<p>The setting allows a K Factor with up to 3 decimal places and 4 whole numbers eg; 1234.123</p>



The FPD3000 unit can only accept a reed switch input, this sensor has been selected as the most common sensor and requires very little power with small effect on battery life.

The 2 position terminal block is not polarity conscious so the reed switch wires can be connected in any order.

Connecting any other sensor type could cause damage to the electronics module



GENERAL

Display	
Type	High intensity reflective numeric and alphanumeric LCD, UV-resistant.
Digits	Seven 12mm (0.47") and seven 8mm (0.31"). Various symbols and measuring units.
Refresh rate	Flow Rate: once per second. Total: 8 times/second after key press to one second.

Enclosures	
General	Aluminium with Polycarbonate window, silicone and EPDM gaskets. UV stabilized and flame retardant material.
Control Keys	Two industrial micro-switch keys. UV-resistant silicone keypad.
Meter mount enclosures	Dimensions: 100mm diameter
Classification	IP67
Cable entry	Black Anodised

Operating temperature	
Operational	-20°C to +60°C (-4°F to +140°F).

Power supply	
Battery powered	Lithium battery - life-time depends upon settings - up to 3 years @ 20°C.

Terminal connections	
Type:	Terminal strip. Wire max. 1mm ²

Data protection	
Type	Backup of all settings and running totals in flash memory.

Environment	
Electromagnetic compatibility	Compliant ref: EN 61326-1:2006, EN61010-1:2001

INPUT

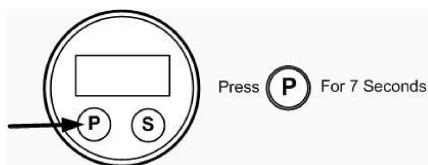
Total / Batch total / Accumulated total	
Digits	7 digits.
Units	L, m ³ , US-GAL, UK-GAL, US-bbl, UK-bbl, OIL-bbl.
Decimals	0 - 1 - 2 or 3.
Note	total and batch total can be reset to zero.

Operator functions	
Displayed functions	Flow Rate. Total (can be reset to zero by the operator). Batch total (can be reset to zero by the operator). Accumulated total (non resettable)

Flow Meter	
Type	reed-switch
Frequency	Total: minimum 0 Hz - maximum 120 Hz for total Flow Rate: 0.01 Hz – maximum 120Hz.
K-Factor	0000.001 - 9,999.999 pulses per unit of measure

Flow Rate	
Digits	7 digits.
Units	L, m ³ , US-GAL, UK-GAL, US-bbl, UK-bbl, OIL-bbl.
Decimals	0 - 1 - 2 or 3.
Time units	/sec - /min - /hr .

PROGRAMMING SETUP-LEVEL



GENERAL

Configuration of the FPD3000-D-A is done at SETUP-level. SETUP-level is reached by pressing the PROG/ENTER key for 7 seconds; at which time, setup will be displayed. In order to return to the operator level, PROG will have to be pressed for three seconds. Alternatively, if no keys are pressed for 2 minutes, the unit will exit SETUP automatically.

SETUP can be reached at all times while the register remains fully operational.

SETUP FUNCTIONS AND VARIABLES DRA

OPERATE / RUN TIME VARIABLES			
TOTAL / BATCH TOTAL			DEFAULT
11	UNIT	L, m3, US-GAL, UK-GAL, US-bbl, UK-bbl, OIL-bbl.	L
12	DECIMALS	0 - 1 - 2 - 3	0
ACCUMULATED TOTAL			DEFAULT
21	UNIT	L, m3, US-GAL, UK-GAL, US-bbl, UK-bbl, OIL-bbl.	L
22	DECIMALS	0 - 1 - 2 - 3	0
FLOWRATE			DEFAULT
31	UNIT	L, m3, US-GAL, UK-GAL, US-bbl, UK-bbl, OIL-bbl.	L
32	TIME UNIT	sec - min - hour	min
33	DECIMALS	0 - 1 - 2 - 3	0
34	CALCULATION	per 1 - 255 pulses	10
35	CUT-OFF	0.1 - 999.9 seconds	30.0
ALARM			DEFAULT
41	FLOW ALARM	operate - hidden - off	off
42	FLOW ZERO	on - off	on
43	ALARM LOW	0000.000 unit/time unit	0
44	ALARM HIGH	0000.000 unit/time unit	99999
45	DELAY ALARM	0... 99 seconds	0
FLOWMETER			DEFAULT
51	K-FACTOR	0000.001 - 9999.999 pulses / unit of measure	1.000
ANALOG OUTPUT			DEFAULT
61	LOW FLOW	0000.000 - 9,999,999 unit/time unit	0
62	HIGH FLOW	0000.000 - 9,999,999 unit/time unit	99999
63	LOW CALIB - 4mA	0 - 9999	631
64	HIGH CALIB - 20mA	0 - 9999	3200
PULSE OUTPUT			DEFAULT
71	DECIMALS	0 - 1 - 2 - 3	0
72	PULSE WIDTH	0.005 - 1.000 sec	0
73	PULSE PER	X,XXX,XXX quantity	1000
OTHERS			DEFAULT
81	MODEL / TYPE	DRA	-
82	SOFTWARE VERSION	xx.xx.xx	-
83	SERIAL NO.	xxxxxxx	-

SETUP PARAMETERS	
TOTAL/BATCH TOTAL 1.1	<p>SETUP - 1.1 determines the measurement unit for total and batch total The following units can be selected:</p> <p style="text-align: center;">L - m3 - UKGAL - USGAL - UKbbl - USbbl - OILbbl</p> <p>Please note that the K-Factor entered in 5.1 should be in pulses per litre and unit adjustment is done automatically.</p>
DECIMALS 1.2	<p>The decimal point determines for total and batch total the number of digits following the decimal point. The following can be selected:</p> <p style="text-align: center;">0000000 - 111111.1 - 22222.22 - 3333.333</p>
TOTAL ACCUMULATED 2.1	<p>SETUP - 2.1 determines the measurement unit for accumulated total. The following units can be selected:</p> <p style="text-align: center;">L - m3 - UKGAL - USGAL - UKbbl - USbbl - OILbbl</p> <p>Please note that the K-Factor entered in 5.1 should be in pulses per litre and unit adjustment is done automatically.</p>
Decimals 2.2	<p>The decimal point determines for accumulated total the number of digits following the decimal point. The following can be selected:</p> <p style="text-align: center;">0000000 - 111111.1 - 22222.22 - 3333.333</p>
Flow Note	<p><i>The settings for total and flow rate are entirely separate. In this way, different units of measurement can be used for each e.g. cubic meters for total and liters for flow rate. The display update time for flow rate is one second or more.</i></p>
FLOW RATE 3.1	<p>SETUP - 21 determines the measurement unit for flow rate. The following units can be selected:</p> <p style="text-align: center;">L - m3 - UKGAL - USGAL - UKbbl - USbbl - OILbbl</p> <p>Please note that the K-Factor entered in 5.1 should be in pulses per litre and unit adjustment is done automatically.</p>
TIME UNIT 3.2	<p>The flow rate can be calculated per second (SEC), minute (MIN), hour (HR) or day (DAY).</p>
DECIMALS 3.3	<p>This setting determines for flow rate the number of digits following the decimal point. The following can be selected:</p> <p style="text-align: center;">00000 - 1111.1 - 2222.22 - 3333.333</p>
CALCULATION 3.4	<p>The flow rate is calculated by measuring the time between a number of pulses, for example 10 pulses. The more pulses the more accurate the flow rate will be. The maximum value is 255 pulses.</p> <p>Note: <i>the lower the number of pulses, the higher the power consumption of the unit will be (important for battery powered applications).</i></p> <p>Note: <i>for low frequency applications (below 10Hz): do not program more than 10 pulses else the update time will be very slow.</i></p> <p>Note: <i>for high frequency application (above 1kHz) do program a value of 100 or more pulses.</i></p>
CUT-OFF TIME 3.5	<p>With this setting, you determine a minimum flow requirement thresh-hold, if during this time less than XXX-pulses (SETUP 26) are generated, the flow rate will be displayed as zero. The cut-off time has to be entered in seconds - maximum time is 999 seconds (about 15 minutes).</p>
FLOW METER K FACTOR 5.1	<p>With the K-factor, the flow meter pulse signals are converted to a flow rate. The K-factor is based on the number of pulses generated by the flow meter per selected measurement unit (SETUP 1.1), for example per liter. The more accurate the K-factor, the more accurate the functioning of the system will be.</p>
SETTING K-FACTOR	<p>The setting allows a K Factor with up to 3 decimal places and 4 whole numbers eg; 1234.123</p>

4 - ALARM



With these settings, it is determined how the flow rate will be monitored and the functionality of the transistor outputs be determined.

ALARM 4.1	Setting the function of the Alarm The following settings can be selected: Off: Function disabled. Operate: Full function of the low flow alarm. Hidden: Does not display alarms on LCD.
ALARM VALUE ZERO 4.2	The Zero alarm is set with this setting. An alarm will be generated as long as there is no flow rate. Select Off to disable
ALARM VALUE LOW 4.3	The low alarm is set with this setting. An alarm will be generated as long as the flow rate is lower than this. With value 0.0 this function is disabled.
ALARM VALUE HIGH 4.4	The high alarm is set with this setting. An alarm will be generated as long as the flow rate is higher than this. With value 0.0 this function is disabled.
DELAY TIME ALARM 4.5	This function allows a delay period before the alarm is activated 0—99 seconds.

6 - ANALOG OUTPUT

A linear analog (0)4-20mA signal is generated according to the flow rate with a 10 bits resolution. The settings for flow rate (SETUP - 2) influence the analog output directly.

The relationship between rate and analog output is set with the following functions:

MINIMUM FLOWRATE 6.1	Enter here the flowrate at which the output should generate the minimum signal (0/4mA or 0V) - in most applications at flow rate "zero". The number of decimals displayed depend upon SETUP 23. The time and measuring units (L/min for example) are dependant upon SETUP 21 and 22 but are not displayed.
MAXIMUM FLOWRATE 6.2	Enter here the flow rate at which the output should generate the maximum signal (20mA or 10V) - in most applications at maximum flow. The number of decimals displayed depend upon SETUP 23. The time and measuring units (L/min for example) are dependant upon SETUP 21 and 22 but can not be displayed.
TUNE MIN / 4MA 6.3	The initial minimum analog output value is 4mA . However, this value might differ slightly due to external influences such as temperature for example. The 4mA value can be tuned precisely with this setting.  Before tuning the signal, be sure that the analog signal is not being used for any application! After pressing PROG, the current will be about 4mA The current can be increased / decreased with incrementing or decrementing the numbers and is <u>directly active</u> . Press ENTER to store the new value. Remark: the analog output value can be programmed “up-side-down” if desired, so 20mA at minimum flowrate for example!
TUNE MAX / 20MA 6.4	The initial maximum analog output value is 20mA. However, this value might differ slightly due to external influences such as temperature for example. The 20mA value can be tuned precisely with this setting.  Before tuning the signal, be sure that the analog signal is not being used for any application! After pressing PROG, the current will be about 20mA. The current can be increased / decreased with incrementing or decrementing the numbers and is <u>directly active</u> . Press ENTER to store the new value. Remark: the analog output value can be programmed “up-side-down” if desired, so 4mA at maximum flow rate for example!

7 - PULSE OUTPUT

One transistor output is available as scaled pulse output according to the accumulated total.

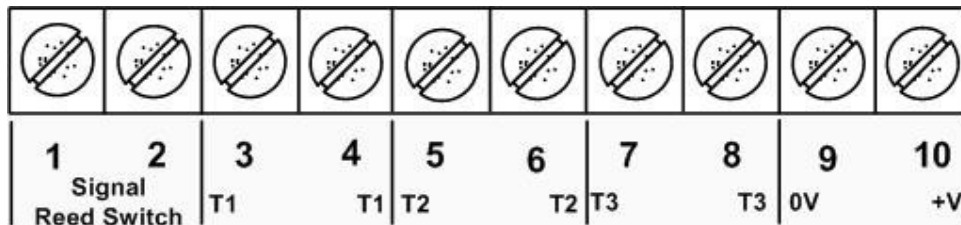
DECIMALS 7.1	Sets the decimals for the pulses per 7.3
WIDTH OF PULSE 7.2	<p>The pulse width determines the time that the transistor will be switched; in other words the pulse length. The minimum time between the pulses is as long as the selected period time.</p> <p>Pulse widths are between 5 m sec to 1 sec at 5 m sec this is a frequency of 100Hz</p> <p>Note: <i>If the frequency should go out of range - when the flow rate increases for example - an internal buffer will be used to "store the missed pulses": As soon as the flow rate reduces again, the buffer will be "emptied". It might be that pulses will be missed due to a buffer-overflow, so it is advised to program this setting within it's range.</i></p>
PULSE PER 7.3	According to the measurement unit settings for total, a pulse will be generated every X-quantity. Enter this quantity here while taking the displayed decimal position and measuring unit into account. i.e. set to 00000.10 = 10 pulses per unit of measure selected

Type DRA DIGITAL REGISTER

Wiring Diagram

The FPD3000-D-A unit can only accept a reed switch input, this sensor has been selected as the most common sensor and requires very little power with small effect on battery life.

The reed switch is not polarity conscious so the reed switch wires can be connected in any order to pins 1 and 2

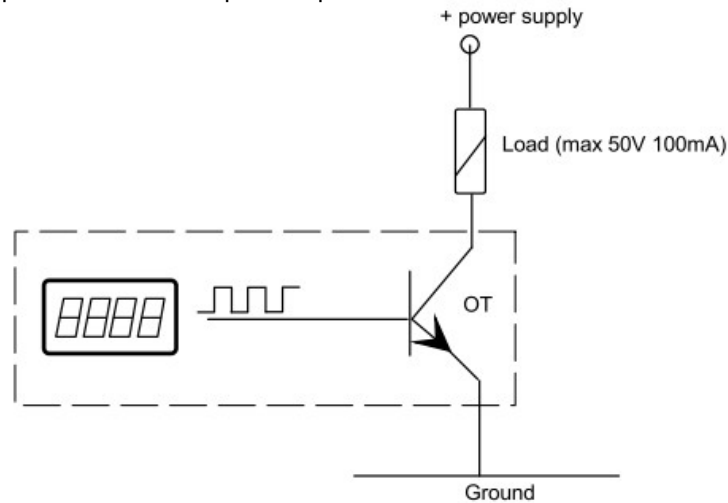


1	Reed Switch Sensor Input
2	Reed Switch Sensor Input
3 T1	Pulse Output - 0V
4 T1	Pulse Output +V
5 T2	Low Alarm 0V
6 T2	Low Alarm +V
7 T3	High Alarm 0V
8 T3	High Alarm +V
9	Analog Output & Power Supply 0V
10	Analog Output & Power Supply +V

Pulse Output

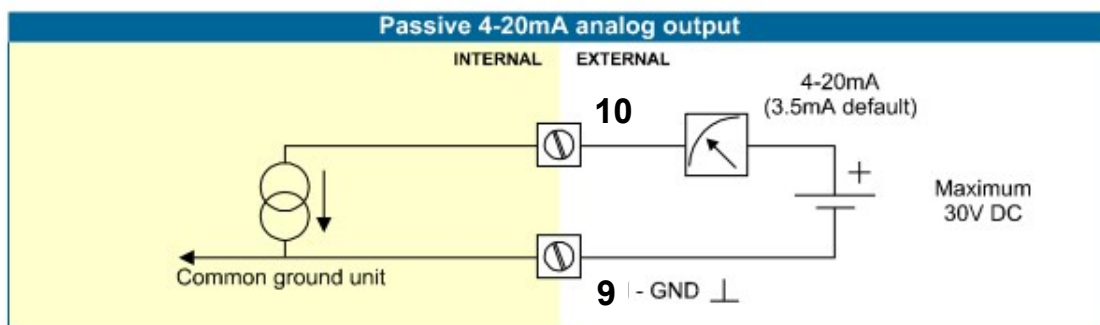
Example for scaled 1 pulse per litre the output must be programmed as follows:
 In menu 7.1 set 2222.22
 In menu 7.2 set 10 or more (10mS or more if needed)
 In menu 7.3 set 1.00

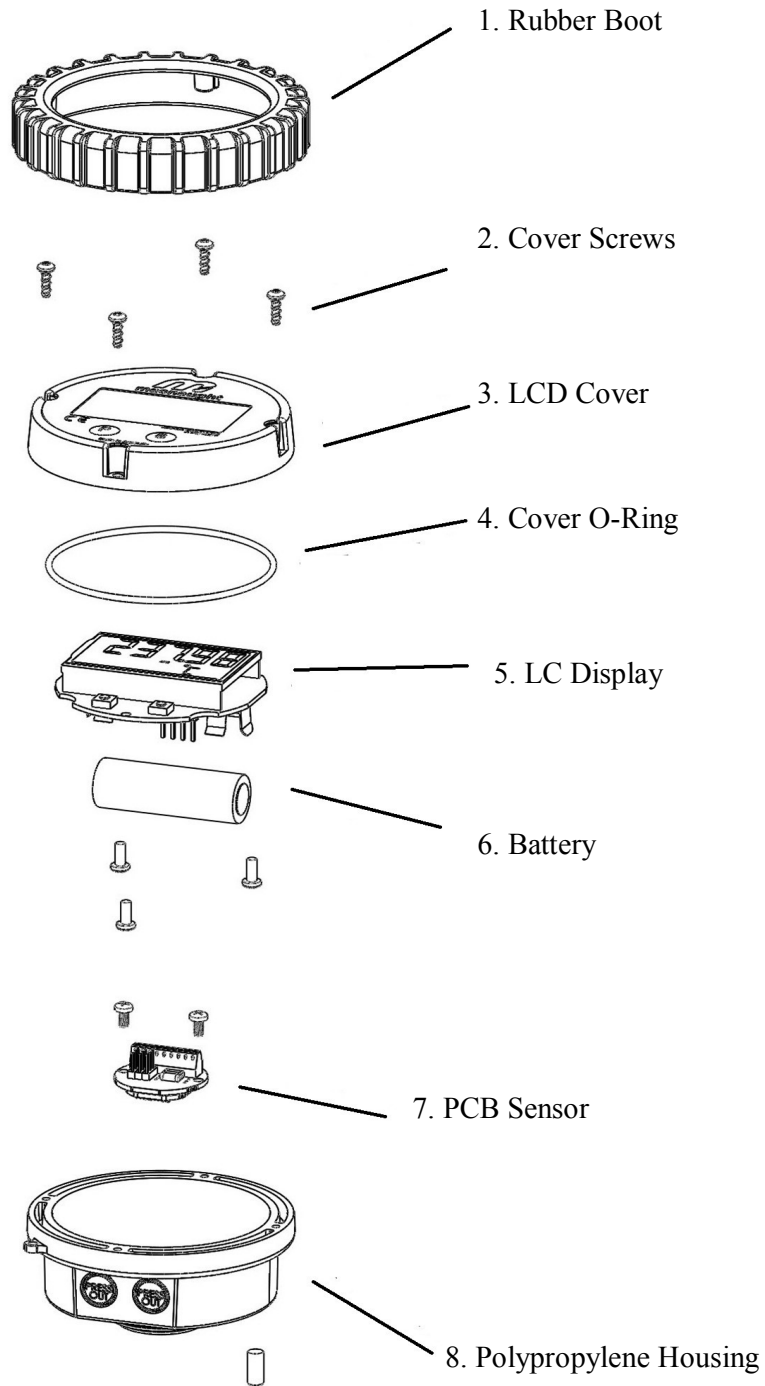
Example Pulse/Alarm Output Setup



Passive 4-20mA setup

A passive 4-20mA signal proportional to the flowrate is available with this option. When a power supply is connected but the output is disabled, a 3.5mA signal will be generated.
 Max. driving capacity 1000 Ohm.





GENERAL

Display	
Type	High intensity reflective numeric and alphanumeric LCD, UV-resistant.
Digits	Seven 12mm (0.47") and seven 8mm (0.31"). Various symbols and measuring units.
Refresh rate	Flow Rate: once per second. Total: 8 times/second after key press to one second.

Enclosures	
General	Aluminium with Polycarbonate window, silicone and EPDM gaskets. UV stabilized and flame retardant material.
Control Keys Painting	Two industrial micro-switch keys. UV-resistant silicone keypad. ?????
Meter mount enclosures Classification Cable entry	Dimensions: 100mm diameter IP67 Black Anodised

Operating temperature	
Operational	-20°C to +60°C (-4°F to +140°F).

Power supply	
Battery powered	Lithium battery - life-time depends upon settings - up to 3 years @ 20°C.

Terminal connections	
Type:	Terminal strip. Wire max. 1mm ²

Data protection	
Type	Backup of all settings and running totals in flash memory.

Environment	
Electromagnetic compatibility	Compliant ref: EN 61326-1:2006, EN61010-1:2001

INPUT

Total / Batch total / Accumulated total	
Digits	7 digits.
Units	L, m3, US-GAL, UK-GAL, US-bbl, UK-bbl, OIL-bbl.
Decimals	0 - 1 - 2 or 3.
Note	total and batch total can be reset to zero.

Operator functions	
Displayed functions	Flow Rate. Total (can be reset to zero by the operator). Batch total (can be reset to zero by the operator). Accumulated total (non resettable)

Flow Meter	
Type	reed-switch
Frequency	Total: minimum 0 Hz - maximum 120 Hz for total Flow Rate: 0.01 Hz – maximum 120Hz.
K-Factor	0000.001 - 9,999.999 pulses per unit of measure

Flow Rate	
Digits	7 digits.
Units	L, m3, US-GAL, UK-GAL, US-bbl, UK-bbl, OIL-bbl.
Decimals	0 - 1 - 2 or 3.
Time units	/sec - /min - /hr .

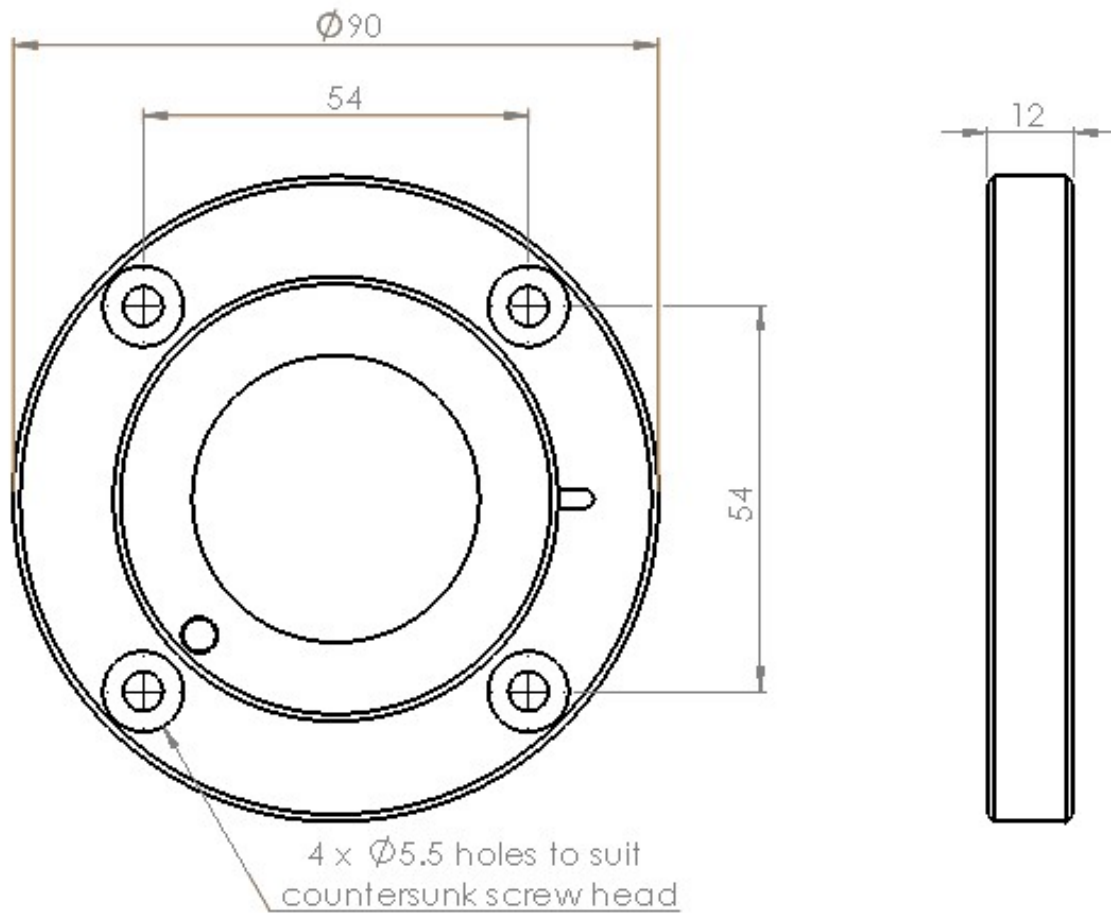
List of configuration settings

SETTING	DEFAULT	DATE :	DATE :
1 - TOTAL		Enter your settings here	
11 unit	L		
12 decimals	0000000		
2- ACCMULATED TOTAL			
21 unit	L		
22 decimals	0000000		
3 - FLOWRATE			
31 unit	L		
32 time unit	/min		
33 decimals	0000000		
34 calculation / pulses	010		
35 cut-off time	30.0 sec.		
4 - Alarm			
41 alarm	disabled		
42 flow zero	on		
43 alarm low	0		
44 alarm high	9999		
45 delay alarm	0		
5 - FLOWMETER			
51 k factor	1.000		
6 - ANALOG OUTPUT			
61 4 mA	0		
62 20 mA	99999		
63 max. tune min 4 mA			
64 tune max 20 mA			
7 - PULSE OUTPUT			
71 decimal	0		
71 impulse width	0		
72 pulse per	1000		
8 - OTHERS			
81 model	DRA		
82 software version	30.05.01		
83 serial number			

Wall Mount Bracket

The FPD3000 series is available with a Wall Mount Bracket option for applications requiring remote mount display. Both the models -D and -D-A are available with this option.

Following is a dimensional drawing for the wall mount bracket.



WARRANTY/DISCLAIMER

OMEGA ENGINEERING, INC. warrants this unit to be free of defects in materials and workmanship for a period of **13 months** from date of purchase. OMEGA's WARRANTY adds an additional one (1) month grace period to the normal **one (1) year product warranty** to cover handling and shipping time. This ensures that OMEGA's customers receive maximum coverage on each product.

If the unit malfunctions, it must be returned to the factory for evaluation. OMEGA's Customer Service Department will issue an Authorized Return (AR) number immediately upon phone or written request. Upon examination by OMEGA, if the unit is found to be defective, it will be repaired or replaced at no charge. OMEGA's WARRANTY does not apply to defects resulting from any action of the purchaser, including but not limited to mishandling, improper interfacing, operation outside of design limits, improper repair, or unauthorized modification. This WARRANTY is VOID if the unit shows evidence of having been tampered with or shows evidence of having been damaged as a result of excessive corrosion; or current, heat, moisture or vibration; improper specification; misapplication; misuse or other operating conditions outside of OMEGA's control. Components in which wear is not warranted, include but are not limited to contact points, fuses, and triacs.

OMEGA is pleased to offer suggestions on the use of its various products. However, OMEGA neither assumes responsibility for any omissions or errors nor assumes liability for any damages that result from the use of its products in accordance with information provided by OMEGA, either verbal or written. OMEGA warrants only that the parts manufactured by the company will be as specified and free of defects. OMEGA MAKES NO OTHER WARRANTIES OR REPRESENTATIONS OF ANY KIND WHATSOEVER, EXPRESSED OR IMPLIED, EXCEPT THAT OF TITLE, AND ALL IMPLIED WARRANTIES INCLUDING ANY WARRANTY OF MERCHANTABILITY AND FITNESS FOR A PARTICULAR PURPOSE ARE HEREBY DISCLAIMED. LIMITATION OF LIABILITY: The remedies of purchaser set forth herein are exclusive, and the total liability of OMEGA with respect to this order, whether based on contract, warranty, negligence, indemnification, strict liability or otherwise, shall not exceed the purchase price of the component upon which liability is based. In no event shall OMEGA be liable for consequential, incidental or special damages.

CONDITIONS: Equipment sold by OMEGA is not intended to be used, nor shall it be used: (1) as a "Basic Component" under 10 CFR 21 (NRC), used in or with any nuclear installation or activity; or (2) in medical applications or used on humans. Should any Product(s) be used in or with any nuclear installation or activity, medical application, used on humans, or misused in any way, OMEGA assumes no responsibility as set forth in our basic WARRANTY/DISCLAIMER language, and, additionally, purchaser will indemnify OMEGA and hold OMEGA harmless from any liability or damage whatsoever arising out of the use of the Product(s) in such a manner.

RETURN REQUESTS/INQUIRIES

Direct all warranty and repair requests/inquiries to the OMEGA Customer Service Department. BEFORE RETURNING ANY PRODUCT(S) TO OMEGA, PURCHASER MUST OBTAIN AN AUTHORIZED RETURN (AR) NUMBER FROM OMEGA'S CUSTOMER SERVICE DEPARTMENT (IN ORDER TO AVOID PROCESSING DELAYS). The assigned AR number should then be marked on the outside of the return package and on any correspondence.

The purchaser is responsible for shipping charges, freight, insurance and proper packaging to prevent breakage in transit.

FOR **WARRANTY** RETURNS, please have the following information available BEFORE contacting OMEGA:

1. Purchase Order number under which the product was PURCHASED,
2. Model and serial number of the product under warranty, and
3. Repair instructions and/or specific problems relative to the product.

FOR **NON-WARRANTY** REPAIRS, consult OMEGA for current repair charges. Have the following information available BEFORE contacting OMEGA:

1. Purchase Order number to cover the COST of the repair,
2. Model and serial number of the product, and
3. Repair instructions and/or specific problems relative to the product.

OMEGA's policy is to make running changes, not model changes, whenever an improvement is possible. This affords our customers the latest in technology and engineering.

OMEGA is a registered trademark of OMEGA ENGINEERING, INC.

© Copyright 2013 OMEGA ENGINEERING, INC. All rights reserved. This document may not be copied, photocopied, reproduced, translated, or reduced to any electronic medium or machine-readable form, in whole or in part, without the prior written consent of OMEGA ENGINEERING, INC.

Where Do I Find Everything I Need for Process Measurement and Control? **OMEGA...Of Course!** *Shop online at omega.comSM*

TEMPERATURE

- ☑ Thermocouple, RTD & Thermistor Probes, Connectors, Panels & Assemblies
- ☑ Wire: Thermocouple, RTD & Thermistor
- ☑ Calibrators & Ice Point References
- ☑ Recorders, Controllers & Process Monitors
- ☑ Infrared Pyrometers

PRESSURE, STRAIN AND FORCE

- ☑ Transducers & Strain Gages
- ☑ Load Cells & Pressure Gages
- ☑ Displacement Transducers
- ☑ Instrumentation & Accessories

FLOW/LEVEL

- ☑ Rotameters, Gas Mass Flowmeters & Flow Computers
- ☑ Air Velocity Indicators
- ☑ Turbine/Paddlewheel Systems
- ☑ Totalizers & Batch Controllers

pH/CONDUCTIVITY

- ☑ pH Electrodes, Testers & Accessories
- ☑ Benchtop/Laboratory Meters
- ☑ Controllers, Calibrators, Simulators & Pumps
- ☑ Industrial pH & Conductivity Equipment

DATA ACQUISITION

- ☑ Data Acquisition & Engineering Software
- ☑ Communications-Based Acquisition Systems
- ☑ Plug-in Cards for Apple, IBM & Compatibles
- ☑ Data Logging Systems
- ☑ Recorders, Printers & Plotters

HEATERS

- ☑ Heating Cable
- ☑ Cartridge & Strip Heaters
- ☑ Immersion & Band Heaters
- ☑ Flexible Heaters
- ☑ Laboratory Heaters

ENVIRONMENTAL MONITORING AND CONTROL

- ☑ Metering & Control Instrumentation
- ☑ Refractometers
- ☑ Pumps & Tubing
- ☑ Air, Soil & Water Monitors
- ☑ Industrial Water & Wastewater Treatment
- ☑ pH, Conductivity & Dissolved Oxygen Instruments