

POSITIVE DISPLACEMENT FLOW METER FOR CORROSIVE LIQUIDS



FPD3100 Series



- ✓ PPS Body
- ✓ Temperatures up to 80°C (176°F)
- ✓ NPT or BSP Threads

The FPD3100 Series positive displacement flow meters are affordable and accurate. One primary feature is the ability to maintain consistent accuracy despite changing viscosity conditions. The meter's solid construction and excellent dynamic response are well suited to the measurement of many corrosives as well as other non-abrasive fluids. Since there is no need for straight run piping upstream or downstream of the flow meter, the FPD3100 flow meters are simple to use and to install. The meter has good resolution and high accuracy at low flow rates.

SPECIFICATIONS

Accuracy: ±0.5% of reading

Repeatability: ±0.03%

Fitting Type:

NPT: Female

BSP: "-BSP" option

Hall-Effect Sensor Power: 4.5 to 24 Vdc (7.5 mA)

Reed Sensor Power: 30 Vdc (500 mA)

Output Options:

Pulse Output: Standard NPN

4 to 20 mA Transmitter:

"-D-A" option; no output on battery powered "-D" model

Display: 7-digit/12 mm (0.47") upper, 7-digit/7 mm (0.28") lower all "-D" options

Rate: User defined

Total: Resettable

Accumulated-Total: Non-resettable

Both models shown smaller than actual size.

FPD3105D-A



FPD3105



Minimum Viscosity: 1cPs

Maximum Viscosity: 1000 cPs standard

Maximum Pressure: See chart on next page

Strainer Size: See ordering chart on next page

Mounting: Shafts must be in a horizontal plane

Electrical Connections: 2 x 12 mm (0.08 x 0.47"), fittings included "-D-A" option

Cable Length: 1 m (3') stripped ends, non-display models

Mounting: Pipe

Power: 4 to 20 mA, "-D-A" models 18 to 30 Vdc display, "-D" models 3 Vdc lithium battery (included)

Liquid Temperature: -40 to 80°C (-40 to 176°F), -20 to 60°C (-4 to 140°F) for display models

Materials

Body and Rotors: PPS

Seals: FKM, FEP (FPD3105)

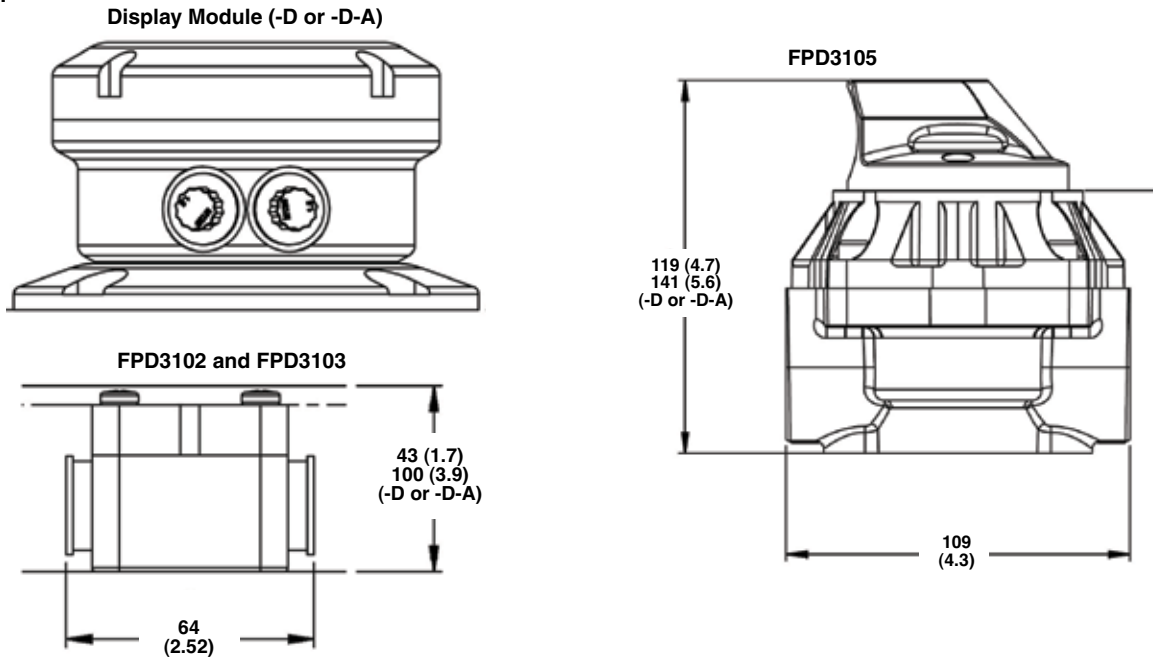
Fasteners: Stainless steel

Cable Insulation: PVC

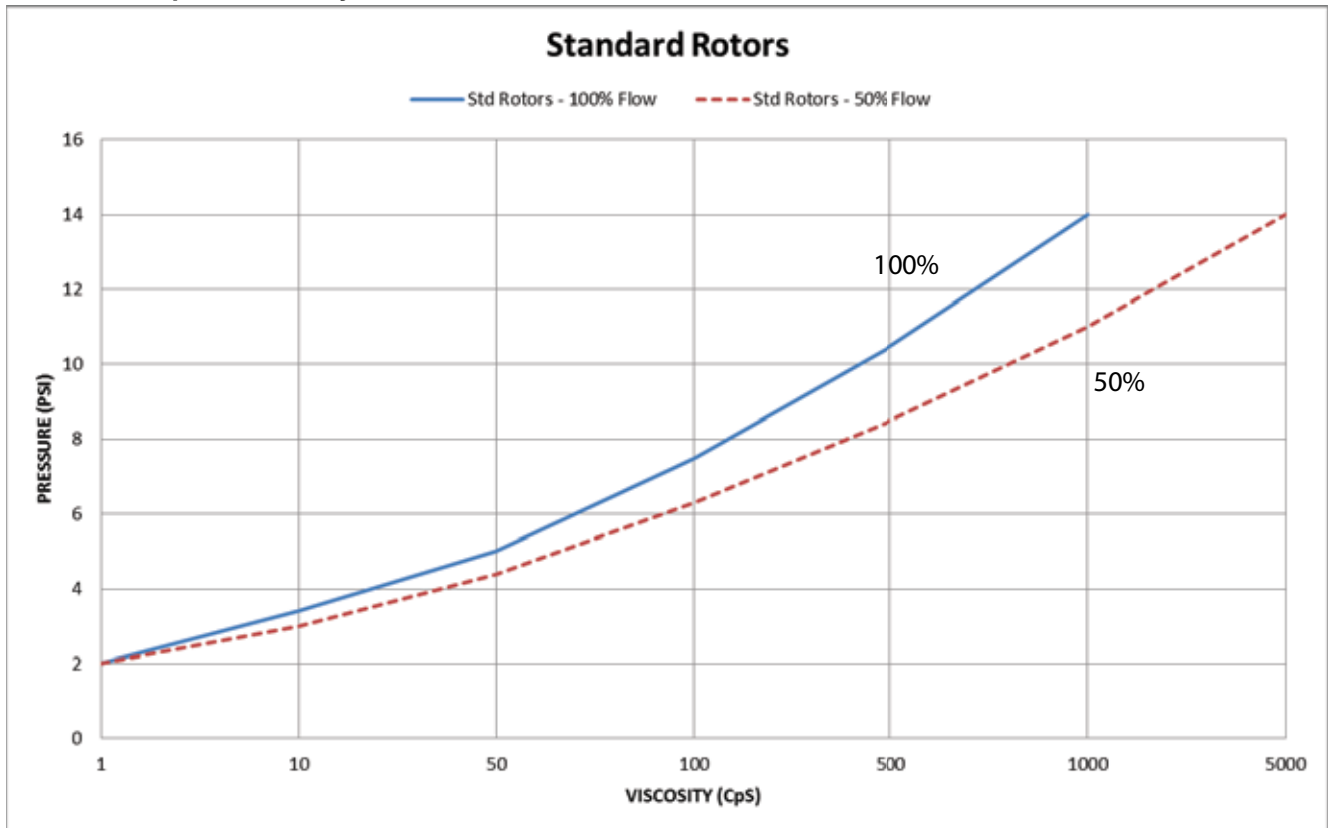
Shaft: Hastelloy C

Enclosure: NEMA 6 (IP67)

Dimensions:
mm (inch)



Pressure Drop vs. Viscosity



F

To Order				
Model No.	Port Size	Flow Range		Maximum Pressure psi (Kpa)
		< 5 cPs	> 5 cPs	
FPD3102	1/4"	2 to 100 LPH (0.5 to 26 GPH)	0.5 to 100 LPH (0.13 to 26 GPH)	75 (500)
FPD3103	1/4"	25 to 500 LPH (6.6 to 132 GPH)	15 to 500 LPH (4 to 132 GPH)	75 (500)
FPD3105	1"	3 to 25 LPM (2.6 to 26 GPM)	2 to 30 LPM (1.6 to 36 GPM)	150 (1000)

Comes complete with lithium battery (-D) and operator's manual.
 For units with a battery powered digital display add "-D" to the model number, for an additional charge.
 For units with a DC powered digital display and 4 to 20 mA output add "-D-A" to the model number, for an additional charge.
 For units with BSP connections add "-BSP" to the model number, no additional charge.