



# User's Guide



*Shop online at*

**omega.com<sup>®</sup>**

Ω OMEGA<sup>®</sup>

*omega.com*

*e-mail: info@omega.com*

*For latest product manuals:  
omegamanual.info*



**ISO 9001**

CERTIFIED  
CORPORATE QUALITY

STAMFORD, CT

**ISO 9002**

CERTIFIED  
CORPORATE QUALITY

MANCHESTER, UK

## *Product Manual*

*For Omega Flow Meters,  
Alarms and Transmitters*



<b>OMEGAnet® Online Service</b> <b>omega.com</b>	<b>Internet e-mail</b> <b>info@omega.com</b>
-----------------------------------------------------	-------------------------------------------------

**Servicing North America:**

**U.S.A.:** One Omega Drive, Box 4047  
ISO 9001 Certified Stamford, CT 06907-0047  
Tel: (203) 359-1660 FAX: (203) 359-7700  
e-mail: info@omega.com

**Canada:** 976 Bergar  
Laval (Quebec) H7L 5A1, Canada  
Tel: (514) 856-6928 FAX: (514) 856-6886  
e-mail: info@omega.ca

**For immediate technical or application assistance:**

**U.S.A. and Canada:** Sales Service: 1-800-826-6342 / 1-800-TC-OMEGA®  
Customer Service: 1-800-622-2378 / 1-800-622-BEST®  
Engineering Service: 1-800-872-9436 / 1-800-USA-WHEN®  
TELEX: 996404 EASYLINK: 62968934 CABLE: OMEGA

**Mexico:** En Español: (001) 203-359-7803 e-mail: espanol@omega.com  
FAX: (001) 203-359-7807 info@omega.com.mx

**Servicing Europe:**

**Benelux:** Postbus 8034, 1180 LA Amstelveen, The Netherlands  
Tel: +31 (0)20 3472121 FAX: +31 (0)20 6434643  
Toll Free in Benelux: 0800 0993344  
e-mail: sales@omegaeng.nl

**Czech Republic:** Frystatska 184, 733 01 Karviná, Czech Republic  
Tel: +420 (0)59 6311899 FAX: +420 (0)59 6311114  
Toll Free: 0800-1-66342 e-mail: info@omegashop.cz

**France:** 11, rue Jacques Cartier, 78280 Guyancourt, France  
Tel: +33 (0)1 61 37 2900 FAX: +33 (0)1 30 57 5427  
Toll Free in France: 0800 466 342  
e-mail: sales@omega.fr

**Germany/Austria:** Daimlerstrasse 26, D-75392 Deckenpfronn, Germany  
Tel: +49 (0)7056 9398-0 FAX: +49 (0)7056 9398-29  
Toll Free in Germany: 0800 639 7678  
e-mail: info@omega.de

**United Kingdom:** One Omega Drive, River Bend Technology Centre  
ISO 9002 Certified Northbank, Irlam, Manchester  
M44 5BD United Kingdom  
Tel: +44 (0)161 777 6611 FAX: +44 (0)161 777 6622  
Toll Free in United Kingdom: 0800-488-488  
e-mail: sales@omega.co.uk

---

It is the policy of OMEGA Engineering, Inc. to comply with all worldwide safety and EMC/EMI regulations that apply. OMEGA is constantly pursuing certification of its products to the European New Approach Directives. OMEGA will add the CE mark to every appropriate device upon certification.

The information contained in this document is believed to be correct, but OMEGA accepts no liability for any errors it contains, and reserves the right to alter specifications without notice.

**WARNING:** These products are not designed for use in, and should not be used for, human applications.

# FLOW METERS



## FLMX-XXXX In-Line Flow Meters

Specification and General Information . . . . .	4-5
Installation . . . . .	6-7
Operation . . . . .	8-10
Pneumatic Meters Uses and Operation . . . . .	10-13
Troubleshooting and General Maintenance . . . . .	14-18
Filtration and Contamination . . . . .	19-20
Interchangeable Flow Cartridge . . . . .	20

Specifications	
Casing Material	Aluminum, Brass or Stainless Steel #304
Maximum Pressure	Aluminum and Brass: 3500 psi (240 Bar) Stainless Steel #304: 6000 psi (413 Bar)
Maximum Temperature	240°F (115°C)
Reading	Direct Reading - 360° Ref. Line (Non-Electrical)
Scale Accuracy	+/- 4% FS, Center 1/3 of scale +/- 2.5% FS
Repeatability	+/- 1% FS
Port Sizes	1/8" - 2" NPTF, #6 - #32 SAE (No Brass) 1/4" - 2" BSP
Installation Dimensions (Port Sizes/Dimensions)	1/4", 3/8", 1/2"      1-7/8" O.D. x 6-9/16" Length (48mm O.D. x 167mm Length)
	3/4", 1"                2-3/8" O.D. x 7-5/32" Length (60mm O.D. x 182mm Length)
	1-1/4", 1-1/2"        3-1/2" O.D. x 10-1/8" Length (90mm O.D. x 258mm Length)
Installation Orientation	Horizontal or Vertical (Scaled Vertically)
Flow Straighteners	Not Required
Test Fluid	Mobile DTE 25 Medium @ 110°F (43°C)

## Basic Application Information

The flow meter can be installed directly in the fluid line without flow straighteners or special piping. The meter is used to measure the flow rate of most liquids which do not contain particles greater than 74 micron.

- 1) External components are sealed inside the Lexan window tube to permit use in areas where the meter may be sprayed or washed with soap and water.
- 2) Mount the meter in the most convenient location to allow easy access for reading and maintenance.
- 3) The meter should NOT be mounted near hot pipes or equipment which can cause deformation of the window tube and scale.
- 4) The meter should be mounted at least one foot (.3 meter) from large electric motors, or the internal magnet may weaken or become demagnetized.
- 5) Aluminum and brass meters should not be mounted where assembled piping is not supported.

## Warning and Precautionary Areas

---

- 1) The meters are designed to operate in systems that flow in only one direction: the direction of the arrow on the flow scale. Attempting operation in the reverse direction may cause damage to the meter or other system components.
- 2) The window tube of standard meters is made of Lexan. Lexan can be safely cleaned with soap and water. However, many other cleaning agents can damage Lexan, causing discoloration or crazing. If you are unsure of your cleaning agent, call the General Electric Lexan Compatibility Reference Line at 800-845-0600.
- 3) To retain accuracy and repeatability many internal moving parts are precision machined and require filtration of at least 74 micron or a 200 mesh screen.
- 4) All meters are tested and calibrated at our test facility using a light hydraulic oil. The units are well drained, but some oil residue may still remain within the meters. Please check the compatibility with your fluid. The meter may have to be cleaned before use. (See "Cleaning & Inspection")
- 5) When installing aluminum or brass meters onto steel pipe caution should be taken not to over tighten the pipe connections. The thread in the meter end fittings may strip if over tightened.
- 6) Aluminum and brass meters should not be used in systems where the assembled piping is not supported. Heavy weight may cause the meter to bend or malfunction.
- 7) **Operating Temperature:** In standard meters, several components have a maximum temperature rating of 240°F (115°C).
- 8) **Operating Pressure:** All meters are tested at a burst pressure three times of operating pressure. Meters should not be used over the operating pressure rating.
- 9) Pressure and flow surges may disengage the outer magnet follower from the transfer magnet. If this occurs, a shock suppressor should be used to eliminate malfunction.
- 10) **Teflon tape:** Caution should be used when using Teflon tape on pipe thread joints. Leave at least 1/8" (3mm) of pipe thread exposed from end of pipe when applying tape.
- 11) These meters, as well as many other meters, use an internal transfer magnet in the design. Because of this magnet, be aware of the following:
  - a) Keep flow meters away from computer disks and tapes.
  - b) If metal particles are moving through the system, a magnetic filter may be required.

# INSTALLATION

## Basic Installation Instructions

---

The meters are mounted in-line and are direct reading. The meters can be mounted in a vertical or horizontal position as long as the fluid is flowing in the direction of the arrow on the flow scale. No straight pipe is required before or after the meter. In fact, 90° elbows can be installed on both ends without any noticeable flow variation.

When installing a meter, apply “Teflon Tape” or “Liquid Teflon Sealant” on pipe threads. If tape is used, be sure to leave 1/8" (3 mm) of pipe thread exposed on end of pipe. Position filter in front of meter and in a location that allows easy access for routine maintenance. Refer to “Warnings and Precautionary Areas” for additional information.

### **INSTALLATION DOS AND DON'T**

To obtain satisfactory operation from a flow meter, the following points should be considered:

#### **DO:**

---

- install a pressure gauge near the inlet of the meter
- place throttling valves at the outlet of the meter
- use pipe sealer on the connections
- install a union on one side of the meter for easy removal for maintenance and calibration
- install solenoid valves at meter outlet (as far downstream as possible)
- mount in any orientation: vertical, horizontal or upside down

#### **DO NOT:**

---

- place restrictions between the meter's pressure gauge meter inlet
- use in systems where reverse flow is possible
- place meter in non-aligned piping
- over-flow the meter by more than 150% of maximum reading
- operate at pressures and temperatures greater than specified
- \* install restrictions between pressure gauges and the meter inlet
- \* install solenoid valves at the meter inlet

\* *pneumatic flow meter applications*

## Fluid Flow in Reverse Direction

The standard monitor will not permit flow in the reverse direction (opposite direction to the arrow printed on the flow rate scale). In the reverse direction, the meter will behave in a manner similar to a leaky check valve.

Prolonged flow in the reverse direction will cause damage to the standard monitor's internal mechanism that could result in inaccurate readings or premature failure of the meter. If the standard meter will be installed in a system where reverse flow is possible, it is recommended that a check valve be installed in parallel with the meter in order to facilitate reverse flow around the meter. Check valves are readily available through fluid component distributors.

## Bi-Directional Flow Measurement

In certain situations it may be necessary to measure flow rates in both directions. For a small additional fee, an option for bi-directional flow measurement may be specified. Meters that include this option are designated by a "-BI" suffix attached to the end of the model code.

If the part number label on the meter that is being installed shows a model code containing the "-BI" suffix, then the meter may be installed in any orientation regardless of flow direction.

# OPERATION

## Operating Principles

---

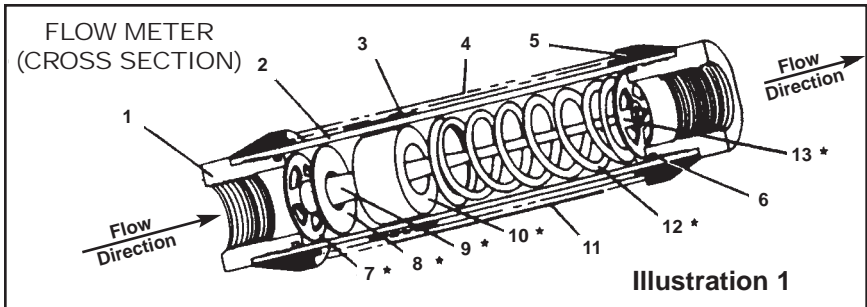
Omega has developed a line of unique flow meters which combine the simplicity of a sharp-edged orifice disk and a variable area flow meter. See **Illustration 1** “Flow Meter Cross Section” on page 9.

The meters are tubular, with all internal wetted parts sealed within the body casing. Running through the center of the body casing is a tapered center shaft which is centered in the bore by pilot disks at each end. Encircling the shaft is a sharp-edged, floating orifice disk, transfer magnet and return spring. The disk and transfer magnet are held in the “no flow” position by the biased return spring.

As the flow moves through the meter it creates a pressure differential across the floating orifice disk, forcing the disk and transfer magnet against the return spring. As flow increases, the pressure differential across the disk increases, forcing the disk and transfer magnet to move along the tapered center shaft. As flow decreases, the biased return spring forces the disk and transfer magnet down the tapered center shaft, returning to the “no flow” position.

In metal casing meters we cannot see the movement of the floating orifice disk and transfer magnet because they are sealed inside the body casing. Therefore, a magnet follower is positioned around the outside of the body casing and is magnetically coupled to the internal transfer magnet. As the flow rate increases, the internal magnet moves along the tapered center shaft (inside the body casing) and the magnet follower moves along the outside of the body casing (under the scale).





- |                    |                                      |
|--------------------|--------------------------------------|
| 1. End Porting     | 8. Floating Sharp-Edged Orifice Disk |
| 2. Body Casing     | 9. Tapered Center Shaft              |
| 3. Magnet Follower | 10. Transfer Magnet                  |
| 4. Window Tube     | 11. Scale                            |
| 5. Window Seal     | 12. Return Spring                    |
| 6. Seal Assembly   | 13. Retainer Ring                    |
| 7. Pilot Disk      |                                      |

\* Cartridge contains: 7, 8, 9, 10, 12 & 13

## Reading the Meter

---

Notice the black reference line which runs 360° around the white magnetic follower. This reference line moves under the scale in direct relation to the movement of the internal orifice disk. When fluid is flowing, the flow rate through the meter is read by lining up the black reference line with the closest rate line on the external flow scale.

## Specific Gravity or Density Effect

---

Standard meters are calibrated for either WATER with a specific gravity of 1.0 or OIL with a specific gravity of .873. The floating disk meter is effected by fluid density as are most other similar types of meters. Omega meters have less of this effect because of the sharpness of the floating orifice disks being used.

The indicated flow reading will read high for heavier fluids and low for lighter fluids. A corrective factor can be applied to the standard scale or a special scale can be added at a slight additional cost. When flowing other specific gravities, the basic equations below can be used.

**For WATER Meters use:**  $\sqrt{1.0/\text{Specific Gravity}} \times \text{scale reading}$

**For OIL Meters use:**  $\sqrt{.873/\text{Specific Gravity}} \times \text{scale reading}$

## Viscosity Effect

The meters incorporate a unique floating, sharp-edged orifice disk. The floating, sharp-edged orifice disk offers greater operating stability and accuracy over a wide range of viscosities.

## PNEUMATIC METER USES & OPERATING THEORY

Rugged, high pressure, pneumatic meters are designed for permanent installation in compressed gas systems. These products provide a low cost means to measure compressor volumetric outputs, pneumatic tool consumptions and other industrial gas flow rates.

The meters operate using the variable annular orifice method with compression spring return –the identical method used in our field proven liquid flow rate meters. The product's follower, where the measurement is indicated, is magnetically coupled through a high pressure casing to the meter's internal orifice assembly.

### **Benefits of these design features are:**

- high operating pressure
- linear displacement of the follower with respect to flow rate
- high turn-down ratios
- measuring accuracy within  $\pm 4\%$  of full-scale
- operation in any mounting orientation

### **Meters are offered in three standard materials of construction:**

- aluminum for standard monitoring applications to 600 PSIG
- brass for media/material compatibility
- stainless steel for compatibility and operation to 1000 PSIG.

Measuring ranges cover 1.5-12 SCFM through 150-1300 SCFM. Twenty-four port sizes from 1/8" through 2" in NPT, SAE and BSP can be ordered to meet specific plumbing requirements. Pneumatic meters are also available in alarm and transmitter configurations for electronic monitoring applications.

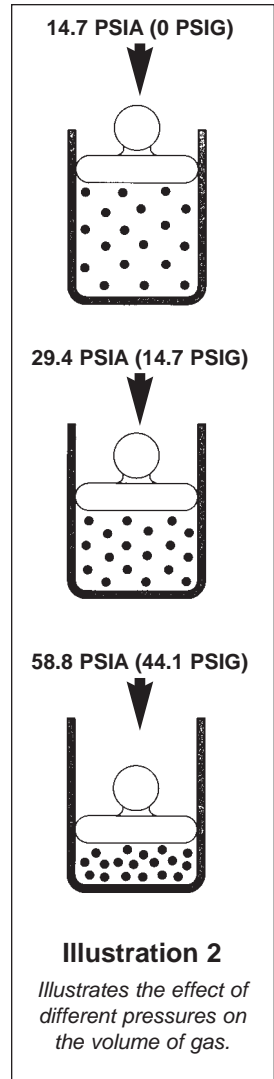
### **Standard Cubic Feet**

Meters are calibrated to measure the flow of compressible media (gases) in SCFM – standard cubic feet per minute. A “standard” cubic foot is defined as a cubic foot of dry air at standard atmospheric conditions: 70°F and 14.7 PSIA (0 PSIG) measured at sea level.

When a standard cubic foot of air is compressed, its actual volume will decrease proportionally as absolute pressure increases. For example, a standard cubic foot of air’s actual volume will decrease by 50% and density will increase by 100% as the air is compressed from atmospheric pressure 14.7 PSIA (0 PSIG) to 29.4 PSIA (14.7 PSIG). **See Illustration 2.**

There are three factors that affect the Flow Meter Calibration: specific gravity, pressure and temperature. Meters are calibrated for air (specific gravity of 1.0) at 70°F and 100 PSIG. Most low pressure rotameters are calibrated at 0 PSIG and require corrections for use at any other pressure.

**Omega meters are designed for pneumatic systems where pressures between 90 -110 PSIG are used. In these common applications, a monitor with a standard calibration can be read directly without applying corrections.**



## DENSITY CORRECTION FACTORS

SCFM (indicated) x (CF) = SCFM (Actual) CF= (F<sub>1</sub>) x (F<sub>2</sub>) X (F<sub>3</sub>)

Note: all correction factors need not be used.

**Table 1. (f<sub>1</sub>) PRESSURE CORRECTION FACTORS (inlet pressure)**

psig	25	50	75	100	125	150	175	200
f <sub>1</sub>	.56	.75	.88	1.0	1.11	1.2	1.29	1.37

$$f_1 = \sqrt{\frac{14.7 + \text{psig}}{114.7}}$$

**Table 2. (f<sub>2</sub>) TEMPERATURE CORRECTION FACTORS**

°F	10°	30°	50°	70°	90°	110°	130°	150°
f <sub>2</sub>	1.08	1.04	1.02	1.0	.98	.96	.95	.93

$$f_2 = \sqrt{\frac{530}{460 + ^\circ\text{F}}}$$

**Table 3. (f<sub>3</sub>) SPECIFIC GRAVITY CORRECTION FACTOR**

$$f_3 = \sqrt{\frac{1}{\text{Sp. Gr.}}}$$

f<sub>1</sub>= correction factor for other than 100 PSI inlet.

f<sub>2</sub>= correction factor for other than 70°F.

f<sub>3</sub>= correction factor for other than air at 1.0 Sp. Gr.

### Correction Factors

If a meter is installed in a system where conditions differ from the standard listed above, correction factors will need to be applied to retain the design accuracy of the meter. The appropriate correction factor equations are detailed above. To assure the best monitoring accuracy, pressure and temperature measurements should be taken directly at the meter's inlet port.

### Special Scales

Special calibrations can be performed to correct for the following system characteristics:

- system pressure
- system temperature
- media specific gravity
- various measuring units (i.e. LPM, LPS, m3/hr, etc.)
- any combination of the above

Consult the factory or your distributor for details and prices.

## ***Selecting the Proper Monitor***

To order a pneumatic flow meter the following information is required:

- pipe size and port style
- media (air, nitrogen, argon, etc.) – for material compatibility and specific gravity considerations
- approximate flow range required<sup>1</sup>
- system pressure: nominal, maximum, minimum
- system temperature

## ***Flow Range<sup>1</sup>***

Estimating the flow rate in a compressed gas system may seem complicated, but with some research and a few simple equations an educated guess can be made.

*Two suggested methods are:*

### **Method 1**

A compressor is typically rated in SCFM output at a certain pressure and efficiency. If the rating cannot be located or is unknown, an estimate of compressor output can be obtained by the following formulas:

- **1-stage compressors:**  
motor HP/0.179 = SCFM @ 100 PSIG
- **2-stage compressors:**  
motor HP/0.164 = SCFM @ 100 PSIG
- **3-stage compressors:**  
motor HP/0.159 = SCFM @ 100 PSIG

### **Method 2**

If all of the potential of a compressor is not being used (the unit cycles on and off) or if flow rate in excess of compressor capacity is being consumed (the compressor cannot meet the demand), a summation of machine usages can be totaled to determine the maximum flow rate. Most machine tools that use compressed air specify the maximum consumption of the tool.

# TROUBLESHOOTING & MAINTENANCE

## TROUBLESHOOTING CHART

Malfunction: Magnet follower sticks in mid-scale and will not return to the "no flow" position.

Possible Cause:

**Horizontal/Vertical Mount**

Particulate, Teflon tape, rust or other foreign matter is holding the internal parts from returning.

**Horizontal/Vertical Mount**

A surge or shock in the fluid flow moved the internal magnet faster than the external follower could follow, thus separating the follower from the magnet.

Corrective Action:

Disassemble and inspect meter for contamination. Install proper filtration or problem may reoccur.

**Warning:** Shut down systems before removing meter from flow line. Remove meter from system. Tip the meter so the arrow on the flow scale points upward. This should return the magnet follower to the "no flow" position. Add some type of surge protection, or problem may reoccur.

Malfunction: Meter scale reading is off an equal amount at all points and the magnet follower still moves freely.

Possible Cause:

Reading the scale using the top or bottom edge of the magnet follower.

Corrective Action:

Be sure to read the scale using the black reference line which runs around the magnet follower.

Possible Cause:

Fluid being monitored may not be compatible with standard meter scale.

Corrective Action:

Standard meters are calibrated for .873 SP. Gr. oil at 110° (43°C) using Mobile DTE 25 Medium fluid. Check your fluid data for a variance, or call the factory for assistance.

Possible Cause:

All meters are calibrated in the vertical position.

Corrective Action:

Check with the factory for a correction factor or for a replacement scale corrected for horizontal use.

## TROUBLESHOOTING CHART (CONTINUED)

<p>Malfunction: Window tube is cracking or crazing.</p>	
<p>Possible Cause: Using incompatible cleaning solution on Lexan window tube.</p>	<p>Corrective Action: Use soap &amp; water or a mild degreaser (Stoddard or Naptha) to clean Lexan tube. To check the compatibility of your cleaning fluid, call General Electric's Lexan Compatibility Reference line at 800-845-0600.</p>
<p>Malfunction: Scale is fogging or coming loose.</p>	
<p>Possible Cause: Ambient or fluid temperature is too high.</p>	<p>Corrective Action: Relocate meter in another area where temperature specifications are not being exceeded.</p>
<p>Possible Cause: Using incompatible cleaning solvents on scale.</p>	<p>Corrective Action: Use soap and water.</p>

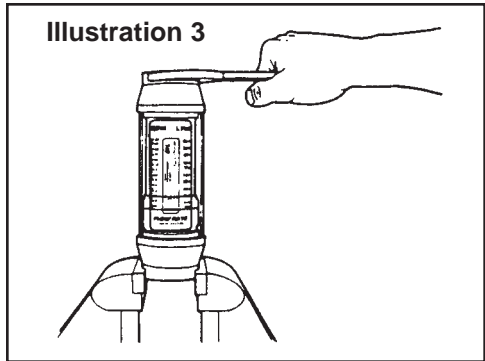
## Disassembly

---

**Important:** It is not necessary to remove window tube or window seals to clean the meter. Note also how the meter disassembles for easy of reassembly.

**Warning:** Shut down system before removing meter from flow line.

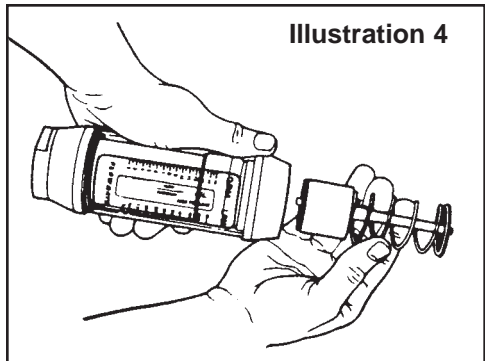
1. Use a clean dry cloth to remove all foreign material from exterior of meter, especially around threaded ends.
2. Remove meter from the flow line.
3. With the arrow on the scale pointing upward, mount the meter in a vice. See **Illustration 3**.



Use the flats of the inlet end porting when securing the meter in the vice.

**Important:** DO NOT wrench or tighten vice on Lexan tube.

4. Install a wrench across the flats of the outlet end porting and turn counterclockwise to loosen assembly. Do not remove end porting at this time.
5. Remove meter from vice. Hold the meter so the end port that is loose, is on top. Remove loose end porting.
6. Tilt the open end of meter over a clean cloth to expose inner cartridge. See **Illustration 4**.

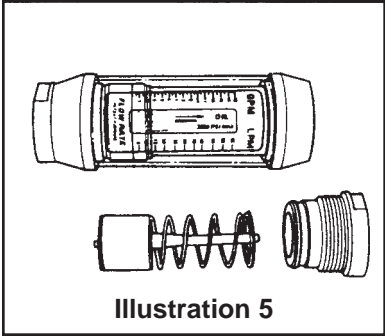


Remove inner cartridge assembly from body casing. **Note:** Because the transfer magnet is magnetically coupled to the magnetic follower, you will notice a slight resistance when removing cartridge. If cartridge does not slide out, insert a wooden dowel in opposite end of meter and push or lightly tap on dowel until cartridge comes loose.

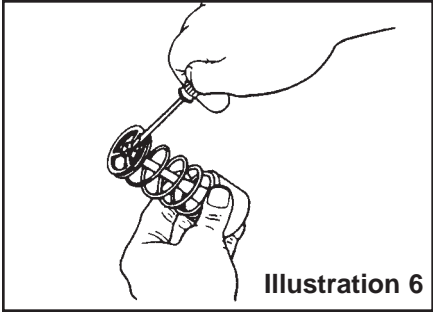


**IMPORTANT:** If inner cartridge does not slide out freely, it may be sign of contamination. The transfer magnet is a powerful ALNICO magnet. Keep it away from metal chips and fillings. They may be hard to remove when reassembling and will cause premature failure.

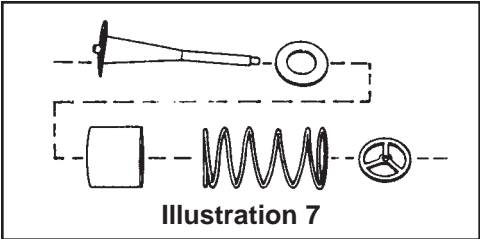
- 7. Examine inner cartridge or level of contamination.
  - A. If inner cartridge has a low level of contamination and is functioning properly, no further disassembly is required. Proceed to "Cleaning and Inspection." See **Illustration 5**.
  - B. If inner cartridge appears to be highly contaminated or damaged, it should be completely disassembled for cleaning and inspection. Proceed with Step 8.



- 8. Remove outlet side (spring end) retainer clip, See **Illustration 6**, which secured pilot disk to tapered center shaft.
- 9. Remove return spring, transfer magnet and floating orifice disk. See **Illustration 7**.



- 10. Proceed to "Cleaning and Inspection." After the meter is cleaned reassemble parts in reverse order of disassembly.



**IMPORTANT:**  
Always use new retainer clips for reassembly. 3/8" and 1/2" = Waldes No. 5105-12H. 3/4 and 1" and 1-1/4" and 1-1/2" = Waldes No. 5105-18H, or obtain at no charge from the factory.

## Cleaning and Inspection

---

**Note:** If the inner cartridge is damaged or contaminated beyond repair, the complete meter can be sent to the manufacturer for evaluation. The manufacturer will inspect, repair, and/or replace parts as needed according to the warranty.

1. Inspect inner cartridge and body casing for contamination. If the inner cartridge did not slide out freely, it may be a sign of contamination. Locate and eliminate the source of contamination before reconnecting meter to the system or the same problem will reoccur. It may be necessary to install finer filtration or a magnetic filter in the system.

2. Soak inner cartridge assembly (or individual parts, depending on level of disassembly) in a suitable cleaning solvent. Naptha or Stoddard is recommended.

**CAUTION:** When using an air hose wear proper eye protection.

3. Remove parts from solvent. Use an air hose and/or scrub with a light brush to remove any remaining contaminants. Remove any magnetized particles from transfer magnet.

4. Inspect inner cartridge for scored or worn parts. Replace parts as needed. (Parts are available from your local distributor.)

5. Remove any contaminants from inside body casing.

6. Clean Lexan widow tube with soap and water, or a compatible cleaning solvent. **IMPORTANT:** Some solvents may cause damage to Lexan tube, check compatibility of solvent being used.

7. Clean and inspect seal assemblies (O-rings and seals) for nicks or cuts. Replace as needed.

8. Clean and inspect the meter every six months.

Properly filtered meters will provide years of trouble-free service. If the meter is not properly filtered, it may be damaged and malfunction. Meter damage caused by excessive contamination in not covered under warranty.

# CONTAMINATION AND FILTRATION

## Recommended Filtration

The manufacturer recommends system filtration of at least 74 micron filter or a 200 mesh screen. It has been found that if inadequate filtration has caused meter failure, it will normally fail in the open position. Some systems may require a magnetic filter. **IMPORTANT:** Meter damage caused by excessive contamination is not covered under warranty.

## Stabilized Contamination

The goal of filtration is to create effective protection from system contamination. Proper filtration stabilizes contamination to allow fluid components to function properly. A fluid system is considered stabilized when, “contamination in” equals “contamination out”. Proper filtration must reduce initial contamination to a stabilized level within an acceptable time period. The system should be stabilized in time to prevent premature wear or damage to meter components.

## Contamination Sources

### ***Fresh Fluid***

When fresh fluid is stored in holding tanks, it may be contaminated with scale or metal flakes from inside the tank. To prevent this type of contamination, be sure to filter fresh fluid before adding to the system.

### ***New Machinery Contamination***

When building new machines, a certain amount of built-in contamination is unavoidable. Typical built-in contamination consists of dust, dirt, chips, fibre, sand, flushing solutions, moisture, weld splatters and pipe sealants. Flushing the system before operation can reduce contamination, but cannot eliminate it totally. Unless the system is flushed at a high velocity, some contamination will not be dislodged until the system is in operation. System contamination can cause fluid component malfunction.

### ***Environmental Contamination***

When performing routine maintenance, the system’s fluid is commonly exposed to environmental contamination. Exercise caution during routine maintenance to prevent this type of contamination. Be sure to change breather filter and systems air filter regularly.

### ***Self-Generation Contamination***

Self-generated contamination is a product of wear, cavitation, fluid breakdown and corrosion. Systems that are carefully flushed, maintained, and have fresh fluid added, mainly have self-generated contamination. In this case, proper filtration can prevent fluid component malfunction.

## INTERCHANGEABLE FLOW CARTRIDGE

### Basic Application Information

---

This unique design permits the exchange of many different cartridges within the same meter, thus, allowing the conversion to other flow ranges at minimal cost. The substitute cartridge offers different flow ranges at the same low pressure drop as the original. Each cartridge comes with a new cartridge, scale and installation instructions. Check with your meter distributor for prices and delivery.

# FLOW ALARMS



## FLMG, FLMH and FLMW Series with -R1 or -R2 Option

---

General Information and Overview .....	.22
Switches/Switch Specifications .....	.23-24
Electrical Connection .....	.24-25
Standard Control Circuits .....	.26-27

NOTE: Installation, operation and cleaning instructions for the basic flow meter cartridge can be found in the first section of this manual. The following instructions are specifically for meters with electrical switches for flow alarms.

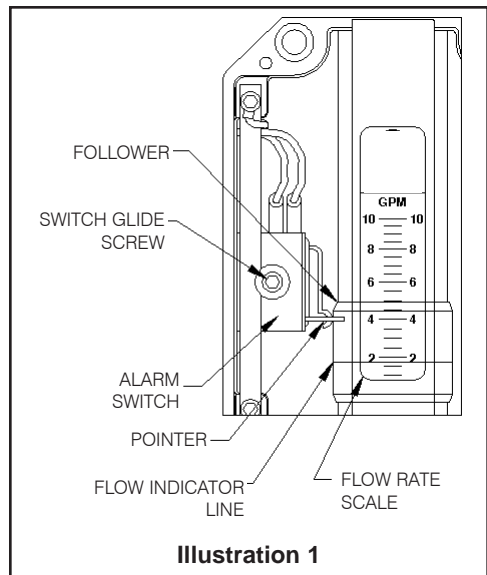
## General Information

Omega's Flow Alarms are typically used to make or break a set of electrical contacts to signal a limit setting. They may be used to turn on a warning light, sound a bell or horn, or even to shut down a process. The switches on the alarm can be configured to open or close a contact for an increasing or decreasing set point. Decreasing flow set points may be located anywhere in the lower 2/3 of the scale while increasing set points may be located anywhere in the upper 2/3 of the scale.

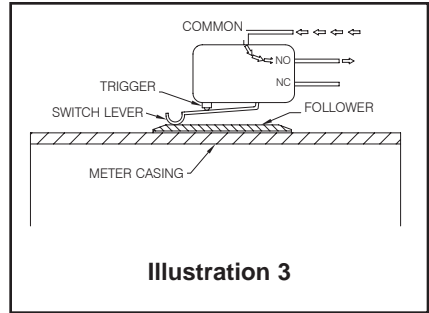
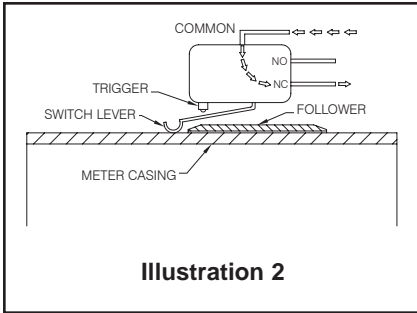
## Overview

**Illustration 1** shows the primary mechanism for a single-switch flow alarm. Dual-switch flow alarms contain two sets of these same components, but have a slightly different electrical wiring diagram (Wiring to the DIN connector is described on page 24.) The factory default configuration for the alarm switch is for decreasing flow, as shown in **Illustration 1**. Dual alarm units contain one additional switch configured for increasing flow. If an increasing flow alarm is desired, it should be specified when the unit is ordered.

The **follower** moves in unison with an orifice plate inside of the unit's pressure vessel via a magnetic coupling in order to indicate flow rate. As the follower moves with changes in flow rate, the flow rate is determined by relating the position of the **flow indicator line** to the increments on the **flow rate scale**.



The **pointer** indicates the set point for the **alarm switch**. In **Illustration 1**, the switch will be actuated at all flow rates below 4 GPM. To change the set point, simply loosen the **switch glide screw** one (1) turn and slide the switch to the desired position along the flow rate scale. When the **pointer** is pointing to the desired flow rate, re-tighten the **switch glide screw**.



## Switches

The switch is a simulated roller, lever operated low force microswitch. The specifications for this switch are listed on page 4. The switch is actuated when movement of the follower causes the switch lever to be lifted. In **Illustration 2**, the switch has not yet been actuated, and the electrical circuit is through the normally closed (NC) contact.

**Illustration 3** shows the switch after it has been actuated. In this scenario, the electrical circuit is through the normally open (NO) contact.

### Precautions

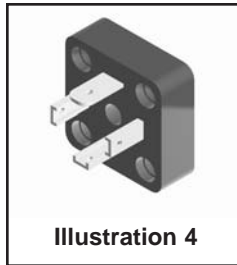
- Be certain to properly ground the unit via the ground (G) pin located on the unit's din connector.
- In order to avoid accidentally removing the switch glide screw, never loosen it by more than one or two turns. This screw can be difficult to replace if accidentally removed.
- Avoid over tightening the switch glide screw.
- When the switch adjustments are complete, make certain that the wires that are attached to the switch have not been moved into a location that will interfere with the follower or the switch lever.
- Do not make any modifications to the unit's internal wiring.

## Switches Specifications

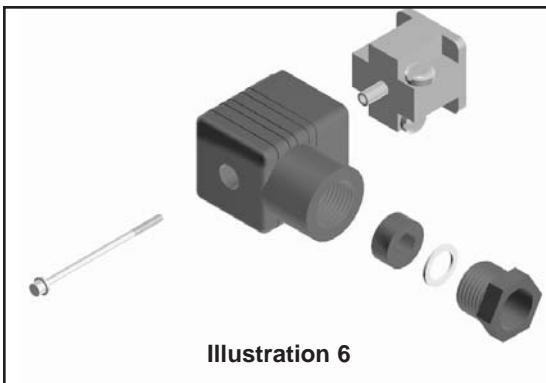
Type	Form C, dry contact
UL/CSA Rating	10 & 1/4 hp, 125 or 250 VAC 1/2 A, 125 VDC & 1/4A, 250 VDC 3A, 125 VAC "L" lamp load
Mechanical Life	>10,000,000 cycles
Actuating Mechanical	Simulated roller, lever operated, low force
Connectors	3/16" tab
Double Break Switch (Special)	Form Z - 10A & 1/2hp, 125/250 VAC

## Electrical Connections

Standard Flow Alarms are pre-wired with 4-pin Hirschmann-type DIN connectors which consist of a male section as shown in **Illustration 4** and the female section shown



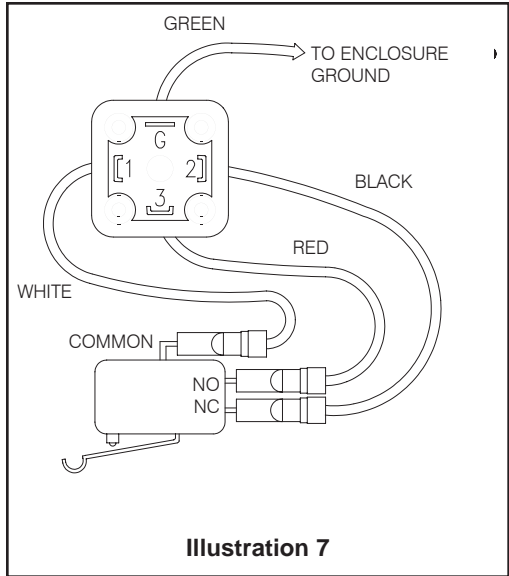
in **Illustration 5**. To open the female section, first remove the screw, then lift the connector portion out of the casing by inserting the head of a screwdriver into the slot marked for that purpose. **Illustration 6** shows the disassembled female section.





**Illustration 7** shows the connections for a standard, single switch Flow Alarm as they are shipped from the factory. The wiring for other types of connections are outlined in the tables below. For additional details, please consult the factory.

Alternates to the standard Hirschmann-type DIN connector are available on a custom basis. The Flow Alarm may be outfitted with a variety of different electrical connections including conduit fittings, cable-type connectors and cord grip/pigtail interfaces. Almost any commercially available electrical connector may be used. If an alternate connector is desired, please consult Omega.



### Wiring Code: Standard Single Switch

White - Common	Terminal #1 of DIN
Black - N.C. Contact	Terminal #2 of DIN
Red - N.O Contact	Terminal #3 of DIN
Green - Enclosure Ground	Terminal "G" of DIN

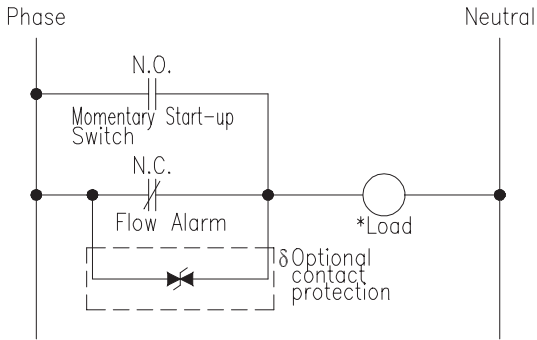
### Wiring Code: Dual Switch Alarm

White - Both Common	Terminal #1 of DIN
Black - Decreasing N.O. Contact	Terminal #2 of DIN
Red - Increasing N.O. Contact	Terminal #3 of DIN
Green - Enclosure Ground	Terminal "G" of DIN

# Standard Control Circuits

## ACTION:

Flow Alarm will turn OFF the circuit.

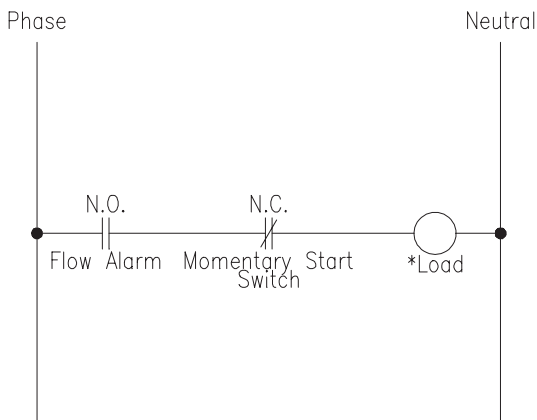


\* The load must be within the Flow Alarm's contact rating. Please see specifications.

δ If highly inductive loads (large relay coils, solenoids, etc.) are going to be switched repeatedly, an MOV (300 Vrms, 0.4 Watt) will increase switch life.

## ACTION:

Flow Alarm will turn ON the circuit.



\* The load must be within the Flow Alarm's contact rating. Please see specifications.

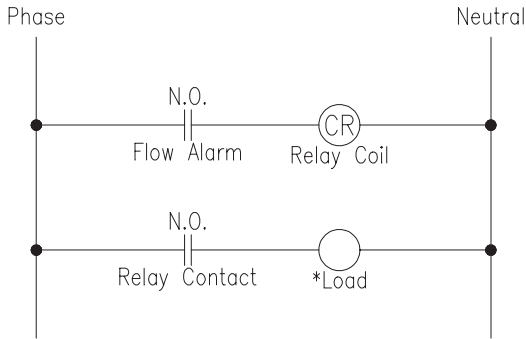
# Standard Control Circuits

## Connection of Slave Relays

If the load to be controlled with the Flow Alarm is greater than the carrying capacity of the Flow Alarm's contacts, a slave relay is required.

### ACTION:

Flow Alarm will turn ON the circuit.



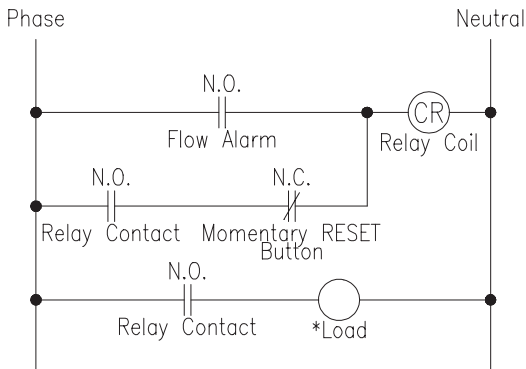
\* The load must be within the Flow Alarm's contact rating. Please see specifications.

## Latching Slave Relay Circuit

The alarm circuit will remain energized until either the RESET button is pressed or until power is removed from the circuit.

### ACTION:

Flow Alarm will turn ON the circuit.



\* The load must be within the flow alarm's and the slave relay's contact rating. Please see specifications.



# FLOW TRANSMITTERS



## FLMG, FLMH, and FLMW Series with the -MA Option

---

General Information and Overview .....	30-31
Output Connections .....	31-35
Connectors .....	36
User Adjustments .....	37
Trouble Shooting .....	38

NOTE: Installation, operation and cleaning instructions for the basic flow meter cartridge can be found in the first section of this manual. The following instructions are specifically for meters equipped with signal conditioning circuitry for transmitting a proportional output signal.

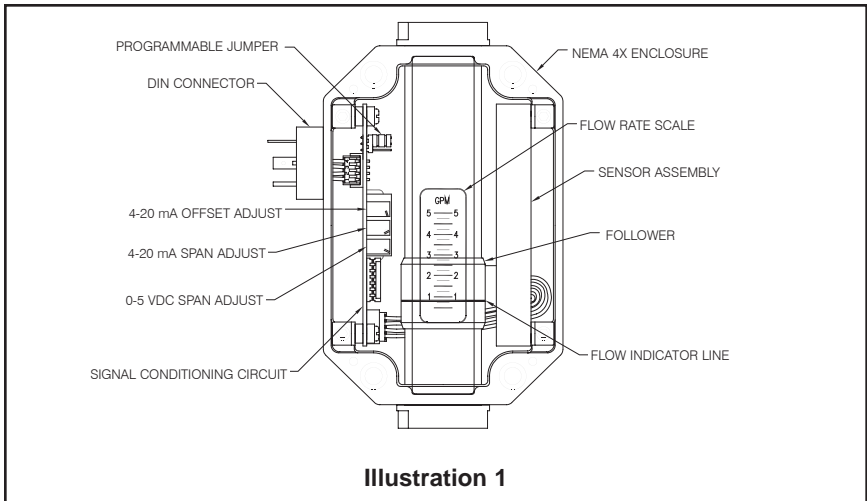
## General Information

Omega's Flow Transmitters are typically used to transmit a signal proportional to flow rate to a process control computer, a PLC, a recorder, or a panel-mount display. The Flow Transmitters are used as the primary input device to record flow rates through hydraulic and pneumatic systems.

The universal output transmitter circuit employed by the Omega Flow Transmitter is capable of producing output signals of 4-20 mA, 0-5 VDC, and 0-2000 Hz square wave pulse. A 1-5 VDC signal may be obtained by connecting a 249  $\Omega$  resistor to the 4-20 mA loop.

## Overview

**Illustration 1** shows a Flow Transmitter with the cover removed. The follower moves in unison with an orifice plate inside of the unit's pressure vessel via a magnetic coupling in order to indicate flow rate. As the follower moves with changes in flow rate, the flow rate is determined by relating the position of the flow indicator line to the increments on the flow rate scale.



The sensor array located in the sensor assembly sends a signal relative to the position of the follower to the signal conditioning circuit. The signal conditioning circuit converts the signal from the sensor array into three different signals that are all directly proportional to the reading that is determined by relating the position of the flow indicator line to the flow rate scale.

The user may choose between reading a 0-2000 Hz square wave pulse, a 0-5 VDC analog signal, or a two-wire 4-20 mA analog signal by connecting to the appropriate pins on the 4-pin Hirschmann® din connector and by placing the programmable jumper in the appropriate position for the desired output.

An analog 1-5 VDC output may also be obtained by configuring the unit for the two-wire 4-20 mA output and then connecting a 249W ohm resistor to the current loop. The exact output pins and jumper positions that correspond to each output are discussed later in this manual.

## 4-20 mA Output Connections

---

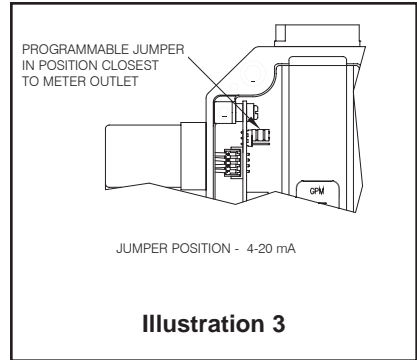
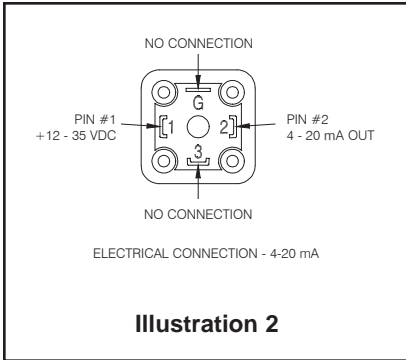
### ***Input Voltage:***

The supply voltage must be between 12 and 35 VDC. The maximum resistance that may be placed within the current loop is given by the following formula:

$$R_{\max} = 50(V_s - 12)$$

Where:  $R_{\max}$  = the maximum resistance that may be placed in the current loop ( $\Omega$ )

$V_s$  = the value of the supply voltage (VDC)

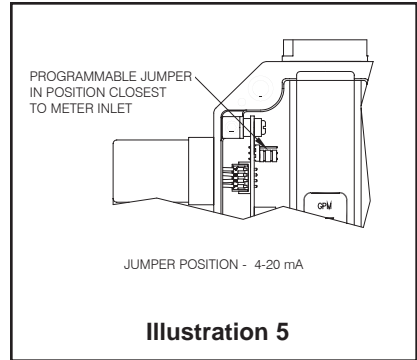
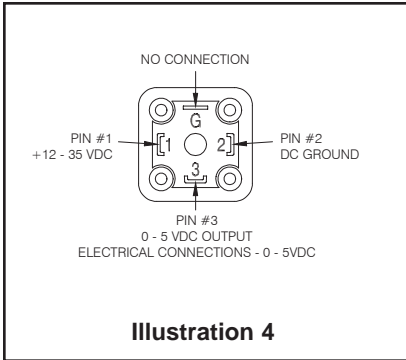


## 4-20 mA Output Connections

### ***Wiring Instructions (Refer to Illustrations 2 and 3 above):***

- 1) Move the programmable jumper on the signal conditioning board into the position closest to the meter's outlet, as shown in **Illustration 3**.
- 2) Connect the positive DC power source (+12 to +35 VDC) to terminal #1 on the din connector
- 3) Connect terminal #2 of the din connector to the positive current input on the receiving device.
- 4) If the power source does not originate from the receiving device, the negative side of the power supply must be connected to the signal ground of the receiving device.
- 5) If the transmitter is operating properly, the green LED on the signal conditioning board will illuminate dimly at zero flow and will increase in intensity as flow increases.



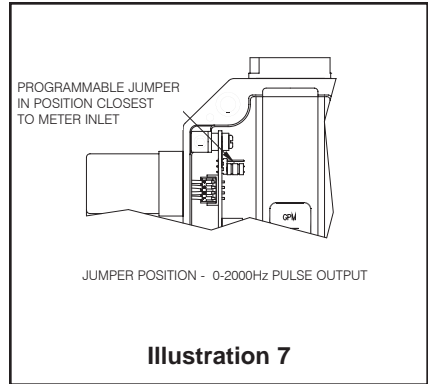
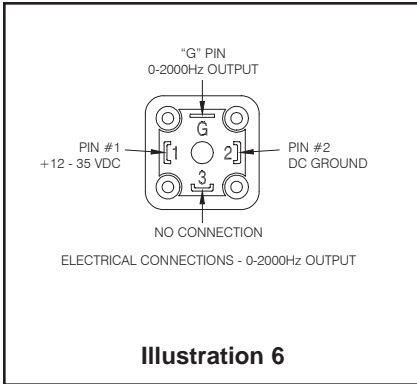


## 0-5 VDC Output Connections

### ***Wiring Instructions (Refer to Illustrations 4 and 5 above):***

- 1) Move the programmable jumper on the circuit board into the position closest to the meter's inlet, as shown in **Illustration 5**.
- 2) Connect the positive voltage source (+12 to +35 VDC) to terminal #1 of the din connector.
- 3) Connect terminal #2 of the din connector to the negative side of the DC voltage source.
- 4) Connect terminal #3 of the din connector to the 0-5 VDC input of the receiving device.
- 5) If the power source does not originate at the receiving device, a wire will need to be connected between the negative side of the voltage source and the signal ground of the receiving device.
- 6) If the transmitter is operating correctly, the green LED on the circuit board will illuminate brightly when power is applied to the unit.

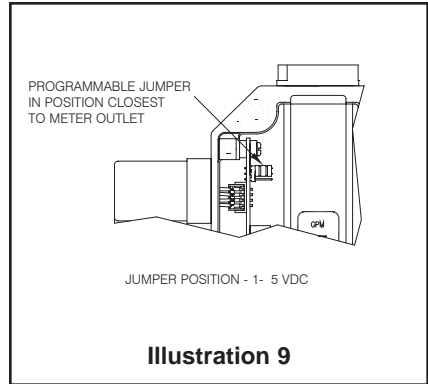
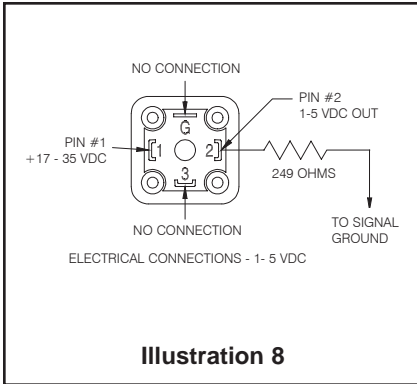
**NOTE:** The input impedance (resistance) of the receiving device must not be lower than 100W or non-linearities may result. Lower impedance will not damage the transmitter.



## 0-2000 Hz Pulse Output Connections

### ***Wiring Instructions (Refer to Illustrations 6 and 7 above):***

- 1) Move the programmable jumper on the circuit board into the position closest to the meter's inlet, as shown in **Illustration 7**.
- 2) Connect the positive voltage source (+12 to +35 VDC) to terminal #1 of the din connector.
- 3) Connect terminal #2 of the din connector to the negative side of the DC voltage source.
- 4) Connect the "G" terminal of the din connector to the pulse input of the receiving device.
- 5) If the power source does not originate at the receiving device, a wire will need to be connected between the negative side of the voltage source and the signal ground of the receiving device.
- 6) If the transmitter is operating properly, the green LED on the circuit board will illuminate brightly when power is applied to the unit.



## 1-5 VDC Output Connections

### ***Wiring Instructions (Refer to Illustrations 8 and 9 above):***

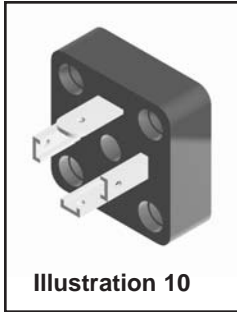
- 1) Move the programmable jumper on the signal conditioning board into the position closest to the meter's outlet, as shown in **Illustration 9**.
- 2) Connect the positive voltage (+17 to +35 VDC) to terminal #1 of the din connector.
- 3) Connect terminal #2 of the DIN to the 1-5 VDC input of the receiving device.
- 4) If the power source does not originate at the receiving device, a wire will need to be connected between the negative side of the voltage source and the signal ground of the receiving device.
- 5) If the transmitter is operating properly, the green LED on the circuit board will illuminate dimly at zero flow and will increase in intensity as flow rate increases.

## Connectors

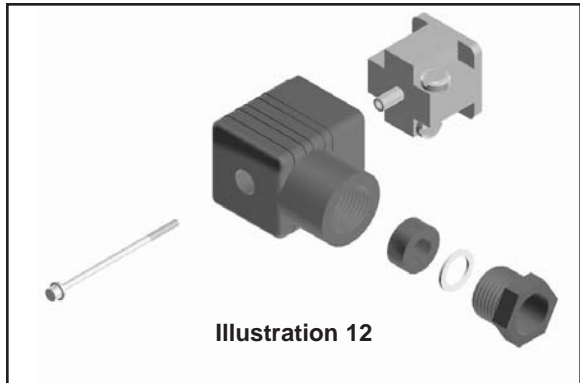
---

Standard flow sensors are prewired with 4-wire Hirschmann-type DIN connectors which consist of a male section as shown in Illustration 10 and a female section as shown in Illustration 11. In order to make the user connections, the screw terminals located inside of the female section must be accessed.

To open the female section, first remove the screw and then lift the connector portion out of the casing by inserting the head of a screwdriver into the slot marked for that purpose.



**Illustration 12** shows the disassembled female section. The screw terminal connections can be seen on the piece located at the far right side of the illustration.



Alternate connectors are available on a custom basis. Nearly any type of commercially available electrical connector may be installed on an Omega Flow Transmitter. If an alternate connector is required, please consult the Omega factory.

## User Adjustments

---

The 4-20 mA, 0-5V, and 0-2000 Hz square wave outputs on the Omega Flow Transmitter are all factory calibrated. User adjustment should be unnecessary and any adjustment of the potentiometer on the signal conditioning board is **strongly discouraged**. If one of the outputs does fall out of calibration, the following procedure may be used to recalibrate the unit.

- 1) Turn off the flow through the system.
- 2) Connect between +12 and +35 VDC to pin 1 of the din connector. Connect terminal 2 of the din connector to the negative terminal of the DC supply.
- 3) Move the programmable jumper on the signal conditioning board into the position closest to the sensor's inlet, as shown in **Illustrations 5 and 7**.
- 4) Connect the positive terminal of a voltmeter to pin 3 of the din connector. Connect the negative terminal to pin 2 of the din connector.
- 5) Gradually increase the flow through the system until the flow rate indicated on the printed flow rate scale reaches full-scale (the highest value printed on the scale).
- 6) Adjust the 0-5 VDC Span potentiometer until a reading of 5.00 VDC is obtained on the voltmeter.
- 7) Turn off the flow through the system and remove the voltmeter.
- 8) Move the programmable jumper on the signal conditioning board into the position closest to the sensor's outlet, as shown in **Illustrations 3 and 9**.
- 9) Disconnect pin 1 of the din connector from the positive terminal of the DC power supply.
- 10) Connect the positive terminal of an ammeter to the positive terminal of the DC power supply. Connect the negative terminal of the ammeter to pin 1 of the sensor's din connector.
- 11) Adjust the 4-20 mA Offset potentiometer (**See Illustration 1**) until a reading of 4.00 mA is obtained on the ammeter.

- 12) Gradually increase the flow through the system until the flow rate indicated on the printed flow rate scale reaches full-scale (the highest value printed on the scale).
- 13) Adjust the 4-20 mA span potentiometer (**See Illustration 1**) until a reading of 20.00 mA is obtained on the ammeter.
- 14) Gradually decrease the flow through the system until a value equal to 50% of full-scale is obtained on the sensor's flow rate scale. Verify a reading of between 11.92 and 12.08 mA.

Trouble Shooting	
Symptom	Solution
<b>The green LED does not illuminate when power is applied.</b>	<ol style="list-style-type: none"> <li>1) Re-check the wiring diagram for the communication protocol that is being used and verify that the wiring is correct.</li> <li>2) Verify that the DC supply that is being used is capable of producing at least 12 VDC.</li> <li>3) Make sure that the cable that is soldered to the din connector inside of the sensor enclosure is plugged into the connector opposite to the programmable jumper.</li> </ol>
<b>The readings obtained from the electronic output do not agree with the readings shown on the printed flow rate scale.</b>	<ol style="list-style-type: none"> <li>1) Make sure that the programmable jumper is in the correct position for the communication protocol that is being used.</li> </ol>
<b>The green LED illuminates, but no readings are obtained from the sensor's electronic output.</b>	<ol style="list-style-type: none"> <li>1) Re-check the wiring diagram for the communication protocol that is being used and verify that the wiring is correct.</li> <li>2) Make sure that the cable from the sensor assembly is plugged into the connect on the signal conditioning board located near the sensor inlet.</li> </ol>
<b>When the flow rate in the systems changes, the follower and electronic output do not respond.</b>	<ol style="list-style-type: none"> <li>1) Remove the flow sensor from the hydraulic systems and inspect the intervals to see if anything has caused them to become jammed. Make sure that the 200 mesh, 74 micron filtration requirement of the flow sensor is being observed.</li> </ol>



## WARRANTY/DISCLAIMER

OMEGA ENGINEERING, INC. warrants this unit to be free of defects in materials and workmanship for a period of **13 months** from date of purchase. OMEGA's WARRANTY adds an additional one (1) month grace period to the normal **one (1) year product warranty** to cover handling and shipping time. This ensures that OMEGA's customers receive maximum coverage on each product.

If the unit malfunctions, it must be returned to the factory for evaluation. OMEGA's Customer Service Department will issue an Authorized Return (AR) number immediately upon phone or written request. Upon examination by OMEGA, if the unit is found to be defective, it will be repaired or replaced at no charge. OMEGA's WARRANTY does not apply to defects resulting from any action of the purchaser, including but not limited to mishandling, improper interfacing, operation outside of design limits, improper repair, or unauthorized modification. This WARRANTY is VOID if the unit shows evidence of having been tampered with or shows evidence of having been damaged as a result of excessive corrosion; or current, heat, moisture or vibration; improper specification; misapplication; misuse or other operating conditions outside of OMEGA's control. Components in which wear is not warranted, include but are not limited to contact points, fuses, and triacs.

**OMEGA is pleased to offer suggestions on the use of its various products. However, OMEGA neither assumes responsibility for any omissions or errors nor assumes liability for any damages that result from the use of its products in accordance with information provided by OMEGA, either verbal or written. OMEGA warrants only that the parts manufactured by the company will be as specified and free of defects. OMEGA MAKES NO OTHER WARRANTIES OR REPRESENTATIONS OF ANY KIND WHATSOEVER, EXPRESSED OR IMPLIED, EXCEPT THAT OF TITLE, AND ALL IMPLIED WARRANTIES INCLUDING ANY WARRANTY OF MERCHANTABILITY AND FITNESS FOR A PARTICULAR PURPOSE ARE HEREBY DISCLAIMED. LIMITATION OF LIABILITY: The remedies of purchaser set forth herein are exclusive, and the total liability of OMEGA with respect to this order, whether based on contract, warranty, negligence, indemnification, strict liability or otherwise, shall not exceed the purchase price of the component upon which liability is based. In no event shall OMEGA be liable for consequential, incidental or special damages.**

CONDITIONS: Equipment sold by OMEGA is not intended to be used, nor shall it be used: (1) as a "Basic Component" under 10 CFR 21 (NRC), used in or with any nuclear installation or activity; or (2) in medical applications or used on humans. Should any Product(s) be used in or with any nuclear installation or activity, medical application, used on humans, or misused in any way, OMEGA assumes no responsibility as set forth in our basic WARRANTY/DISCLAIMER language, and, additionally, purchaser will indemnify OMEGA and hold OMEGA harmless from any liability or damage whatsoever arising out of the use of the Product(s) in such a manner.

## RETURN REQUESTS/INQUIRIES

Direct all warranty and repair requests/inquiries to the OMEGA Customer Service Department. **BEFORE RETURNING ANY PRODUCT(S) TO OMEGA, PURCHASER MUST OBTAIN AN AUTHORIZED RETURN (AR) NUMBER FROM OMEGA'S CUSTOMER SERVICE DEPARTMENT (IN ORDER TO AVOID PROCESSING DELAYS).** The assigned AR number should then be marked on the outside of the return package and on any correspondence.

The purchaser is responsible for shipping charges, freight, insurance and proper packaging to prevent breakage in transit.

FOR **WARRANTY** RETURNS, please have the following information available BEFORE contacting OMEGA:

1. Purchase Order number under which the product was PURCHASED,
2. Model and serial number of the product under warranty, and
3. Repair instructions and/or specific problems relative to the product.

FOR **NON-WARRANTY** REPAIRS, consult OMEGA for current repair charges. Have the following information available BEFORE contacting OMEGA:

1. Purchase Order number to cover the COST of the repair,
2. Model and serial number of the product, and
3. Repair instructions and/or specific problems relative to the product.

OMEGA's policy is to make running changes, not model changes, whenever an improvement is possible. This affords our customers the latest in technology and engineering.

OMEGA is a registered trademark of OMEGA ENGINEERING, INC.

© Copyright 2005 OMEGA ENGINEERING, INC. All rights reserved. This document may not be copied, photocopied, reproduced, translated, or reduced to any electronic medium or machine-readable form, in whole or in part, without the prior written consent of OMEGA ENGINEERING, INC.

# Where Do I Find Everything I Need for Process Measurement and Control? **OMEGA...Of Course!** *Shop online at [omega.com](http://omega.com)*

## **TEMPERATURE**

- ☑ Thermocouple, RTD & Thermistor Probes, Connectors, Panels & Assemblies
- ☑ Wire: Thermocouple, RTD & Thermistor
- ☑ Calibrators & Ice Point References
- ☑ Recorders, Controllers & Process Monitors
- ☑ Infrared Pyrometers

## **PRESSURE, STRAIN AND FORCE**

- ☑ Transducers & Strain Gages
- ☑ Load Cells & Pressure Gages
- ☑ Displacement Transducers
- ☑ Instrumentation & Accessories

## **FLOW/LEVEL**

- ☑ Rotameters, Gas Mass Flowmeters & Flow Computers
- ☑ Air Velocity Indicators
- ☑ Turbine/Paddlewheel Systems
- ☑ Totalizers & Batch Controllers

## **pH/CONDUCTIVITY**

- ☑ pH Electrodes, Testers & Accessories
- ☑ Benchtop/Laboratory Meters
- ☑ Controllers, Calibrators, Simulators & Pumps
- ☑ Industrial pH & Conductivity Equipment

## **DATA ACQUISITION**

- ☑ Data Acquisition & Engineering Software
- ☑ Communications-Based Acquisition Systems
- ☑ Plug-in Cards for Apple, IBM & Compatibles
- ☑ Datalogging Systems
- ☑ Recorders, Printers & Plotters

## **HEATERS**

- ☑ Heating Cable
- ☑ Cartridge & Strip Heaters
- ☑ Immersion & Band Heaters
- ☑ Flexible Heaters
- ☑ Laboratory Heaters

## **ENVIRONMENTAL MONITORING AND CONTROL**

- ☑ Metering & Control Instrumentation
- ☑ Refractometers
- ☑ Pumps & Tubing
- ☑ Air, Soil & Water Monitors
- ☑ Industrial Water & Wastewater Treatment
- ☑ pH, Conductivity & Dissolved Oxygen Instruments