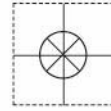


**1 YEAR**  
WARRANTY



# User's Guide

Shop online at

**omega.com<sup>®</sup>**

Ω OMEGA<sup>®</sup>

*omega.com*

*e-mail: info@omega.com*

*For latest product manuals:*

*omegamanual.info*

**ISO 9001**  
CERTIFIED  
CORPORATE QUALITY

STAMFORD, CT

**ISO 9001**  
CERTIFIED  
CORPORATE QUALITY

MANCHESTER, UK

## **LVP-51-R** **Non-Intrusive** **RF Capacitance Level Switch**



OMEGAnet® Online Service  
omega.com

Internet e-mail  
info@omega.com

### Servicing North America:

**U.S.A.:**  
ISO 9001 Certified

Omega Engineering, Inc., One Omega Drive, P.O. Box 4047  
Stamford, CT 06907-0047 USA

Toll Free: 1-800-826-6342  
FAX: (203) 359-7700

TEL: (203) 359-1660  
e-mail: info@omega.com

**Canada:**

976 Bergar  
Laval (Quebec), Canada H7L 5A1  
Toll-Free: 1-800-826-6342  
FAX: (514) 856-6886

TEL: (514) 856-6928  
e-mail: info@omega.ca

### For immediate technical or application assistance:

**U.S.A. and Canada:** Sales Service: 1-800-826-6342/1-800-TC-OMEGA®  
Customer Service: 1-800-622-2378/1-800-622-BEST®  
Engineering Service: 1-800-872-9436/1-800-USA-WHEN®

**Mexico:**

En Español: 001 (203) 359-7803  
info@omega.com.mx

FAX: (001) 203-359-7807  
e-mail: espanol@omega.com

### Servicing Europe:

**Benelux:**

Managed by the United Kingdom Office  
Toll-Free: 0800 099 3344  
FAX: +31 20 643 46 43

TEL: +31 20 347 21 21  
e-mail: sales@omega.nl

**Czech Republic:**

Frystatska 184  
733 01 Karviná, Czech Republic  
Toll-Free: 0800-1-66342  
FAX: +420-59-6311114

TEL: +420-59-6311899  
e-mail: info@omegashop.cz

**France:**

Managed by the United Kingdom Office  
Toll-Free: 0800 466 342  
FAX: +33 (0) 130 57 54 27

TEL: +33 (0) 161 37 29 00  
e-mail: sales@omega.fr

**Germany/Austria:**

Daimlerstrasse 26  
D-75392 Deckenpfronn, Germany  
Toll-Free: 0 800 6397678  
FAX: +49 (0) 7056 9398-29

TEL: +49 (0) 7059 9398-0  
e-mail: info@omega.de

**United Kingdom:**  
ISO 9001 Certified

OMEGA Engineering Ltd.  
One Omega Drive, River Bend Technology Centre, Northbank  
Irlam, Manchester M44 5BD England  
Toll-Free: 0800-488-488  
FAX: +44 (0)161 777-6622

TEL: +44 (0)161 777-6611  
e-mail: sales@omega.co.uk

---

It is the policy of OMEGA Engineering, Inc. to comply with all worldwide safety and EMC/EMI regulations that apply. OMEGA is constantly pursuing certification of its products to the European New Approach Directives. OMEGA will add the CE mark to every appropriate device upon certification.

The information contained in this document is believed to be correct, but OMEGA accepts no liability for any errors it contains, and reserves the right to alter specifications without notice.

**WARNING:** These products are not designed for use in, and should not be used for, human applications.

**About Non-Intrusive RF Capacitance Technology:** OMEGA ENGINEERING's LVP-51-R level switch generates a high radio frequency signal from the capacitance electrode on the tank side of each sensor. Depending on the thickness of the tank wall and the material of which it is made, there is a particular minimum dielectric value the electrode measures when there is no liquid on the other side of the tank wall from the sensor. When liquid is on the other side of the wall, the dielectric value rises.

As part of installation, a two-step calibration procedure ensures that the threshold between wet and dry is set at the ideal point for your particular tank and application fluid, without the use of any external test equipment. The sensor's operation and point of actuation may vary based on the dielectric properties of various application liquids, tank materials and thicknesses. The LVP-51-R sensor is intended to be used with liquids with a dielectric value between 20 and 80. Due to its user calibration capability it may be able to detect liquids below a dielectric constant of 20 under certain conditions, but this must be verified by experimentation.

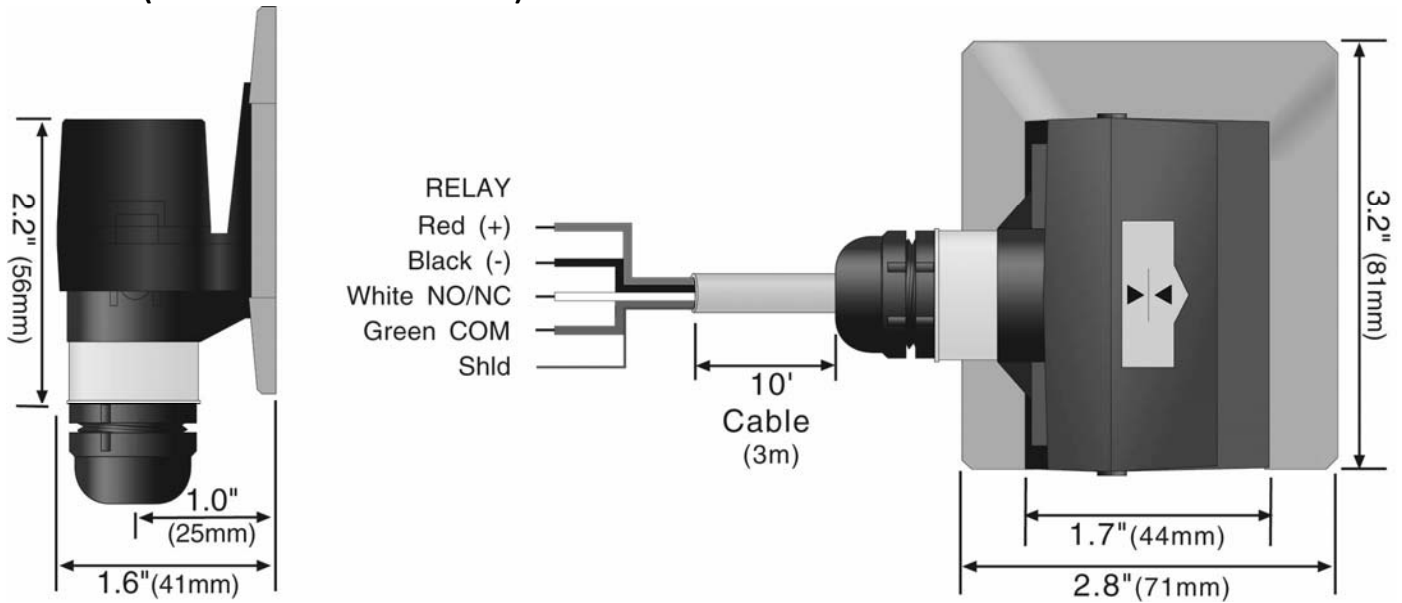
### Table of Contents

Specifications & Dimensions: .....	4
Safety Precautions: .....	5
Make a Fail-Safe System: .....	6
Components: .....	6
Installation: .....	7
Attach fitting to Tank: .....	7
Mount Sensor in Fitting: .....	7
Electrical: .....	8
Signal Output (current sensing): .....	8
Signal Output (relay switching): .....	9
Wiring: .....	10
Wiring to a OMEGA ENGINEERING Controller: .....	10
Switching Inductive Loads: .....	10
Wiring the Relay Output: .....	11
Wiring as a P-Channel or N-Channel Output: .....	12
Calibration: .....	13
Maintenance: .....	14
Checking Point of Actuation: .....	14
Testing the Sensor: .....	14
Maintenance: .....	14

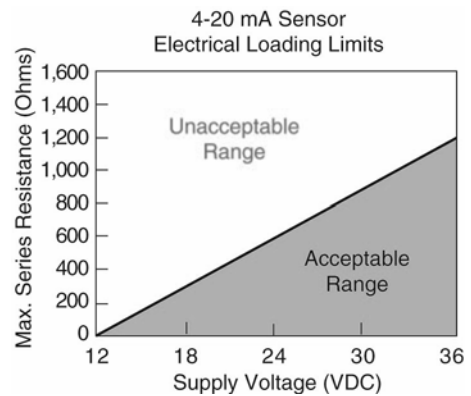
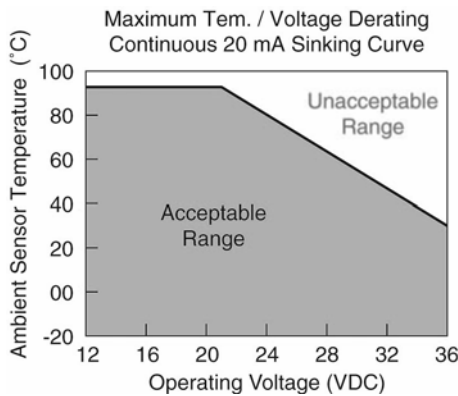
**Specifications:**

Tank mounting:	Non-intrusive	Enclosure rating:	NEMA 4X (IP65)
Tank mat. comp.:	Non-metallic	Enclosure mat.:	PSO
Tank wall thick.:	< 1" (25 mm)	Conduit entrance:	Single, 1/2" NPT
Accuracy:	± 1 mm in water	Bracket material:	LVP-92: PP LVP-91: PE
Repeatability:	± 0.5 mm in water	Bracket mounting:	3M adhesive / plastic thermal weld
Dielectric range:	> 20 constants	Cable jacket mat.:	PP
Conductive range:	> 100 µS/cm	Cable type:	4-conductor, #22 AWG (shielded)
Supply voltage:	12-36 VDC	Cable length:	Standard: 10' (3m)
Consumption:	25 mA maximum	Classification:	General purpose
Contact type:	(1) SPST relay	CE compliance:	EN 61326 EMC EN 61010-1 safety
Contact rating:	60 VA, 1A maximum		
Contact output:	Selectable NO/NC		
Process temp.:	F: -40° to 176° C: -40° to 80°		

**Dimensions (shown with LVP-91 bracket):**



**Derating Charts:**



⚠ **About Manual:** PLEASE READ THE ENTIRE MANUAL PRIOR TO INSTALLING OR USING THIS PRODUCT. This manual includes information on all models of OMEGA ENGINEERING Non-Intrusive RF Capacitance Level Switch: LVP-51-R. Please refer to the part number located on the sensor label to verify the exact model which you have purchased.

⚠ **User's Responsibility for Safety:** OMEGA ENGINEERING manufactures a wide range of liquid level switches and technologies. While each of the these switches are designed to operate in a wide variety of applications, it is the user's responsibility to select a switch model that is appropriate for the application, install it properly, perform tests of the installed system, and maintain all components. The failure to do so could result in property damage or serious injury.

⚠ **Proper Installation and Handling:** Because this is an electrically operated device, only properly trained staff should install and/or repair this product. *The adhesive on the fitting is for temporary installation only.* For permanent installation, the fitting for the sensor should be welded, glassed or strapped to the tank itself using approved plastic welding techniques. Do not install the LVP-51-R sensor on a metal tank, or within 6" of any metal pipe or fitting.

⚠ **Mounting Bracket:** The LVP-51-R sensor may be mounted in the PE (LVP-91) or PP (LVP-92) bracket. Make sure that the fitting is compatible with the tank it will be applied to.

⚠ **Material Compatibility:** The sensor itself is not designed to be immersed. It should be mounted in such a way that it does not normally come into contact with fluid. Its case is made out of Polysulfone (PSO). Refer to an industry reference such as the Compass Corrosion Guide to ensure that compounds that may splash onto the controller housing will not damage it. Such damage is not covered by the warranty.

⚠ **Wiring and Electrical:** The supply voltage used to power the LVP-51-R sensor should never exceed a maximum of 36 volts DC. Electrical wiring of the sensor should be performed in accordance with all applicable national, state, and local codes.

⚠ **Flammable, Explosive and Hazardous Applications:** The LVP-51-R switch is not rated for use in hazardous locations. Refer to the National Electric Code (NEC) for all applicable installation requirements in hazardous locations. **DO NOT USE THE LVP-51-R GENERAL PURPOSE SWITCH IN HAZARDOUS LOCATIONS.**

⚠ **Warning** ⚠

*The rating for the relay is 60 VA.*

*Do not install the LVP-51-R level switch on a metallic tank, or within 6" of any metallic object. Metal will adversely affect the dielectric sensitivity of the sensor.*

*OMEGA ENGINEERING's LVP-51-R sensors are not recommended for use with electrically charged application liquids. For most reliable operation, the liquid being measured may need to be electrically grounded.*

**Make a Fail-Safe System:** Design a fail-safe system that accommodates the possibility of switch and/or power failure. OMEGA ENGINEERING recommends the use of redundant backup systems and alarms in addition to the primary system. Adding a redundant high level float switch to the system is a cost effective means to prevent costly tank overflows.

The LVP-51-R switch has a single relay. The normally open (NO) or normally closed (NC) operation is user selected based on the desired system control. Always design a fail-safe system that accommodates for the possibility of functional and/or power failure to the instrument. The "normal" relay state is where the relay coil is de-energized and the relay indicator is OFF. Therefore, if power is cut OFF to the switch it will de-energize the relay. Make sure that the de-energized state is the safe state in your system design. As such, if switch power is lost, a pump will turn OFF if it is connected to the normally open side of the relay.

**Technology:** The non-intrusive RF capacitance switch detects the presence of liquid or air by measuring the conductive or dielectric values which are present in all materials. An electrical capacitor is formed between the level switch and the outer tank wall. As liquid rises and falls against the inner wall, the capacitance effect is greatly increased and the 60VA SPST relay changes state.

**⚠ The sensor's operation may vary based on the dielectric properties of various application liquids. Liquids with a dielectric constant less than 20 may not be detected by an LVP-51-R sensor.**

**Table of Common Dielectric Constants:** NOTE: Liquids with a conductivity value > 100  $\mu\text{S}/\text{cm}$  are fine if coating is not an issue. Liquids with a dielectric constant less than 20 will not be detected by an LVP-51-R level switch, depending on conditions.

Acetone .....21	Chlorotoluene ..... 4.7	Ethylene chloride .. 10.5	Isobutyl methyl ketone .....	Nitrotoluene ..... 25	Trichloroethylene .... 3.4
Acetoaldehyde .....22.2	Chloroform ....4.5 to 5.0	Ethyl acetate ..... 6.4	.....13	Naphthalene ..2.3 to 2.5	Trichloroacetic acid 4.5
Acetyl methyl hexyl ketone .....	Chlorine, liquid .....2.0	Ethyl salicylate ..... 8.6	Jet fuel .....1.7	Oils, vegetable 2.5 to 3.5	Terephthalic acid .....
.....28	Carbon tetrachloride 2.2	Ethyl stearate ..... 2.9	Lead carbonate .....18	Oils, mineral ..2.3 to 2.4	..... 1.5 to 1.7
Alcohol ..... 16 to 31	Cyan .....2.6	Ethyl silicote ..... 4.1	Lead nitrate .....38	Oils, petroleum .....	Thinner ..... 3.7
Ammonia ..... 15 to 25	Cyclohexane methanol .....	Formic acid ..... 59	Methyl salicylate .....9.0	..... 1.8 to 2.2	Urea ..... 3.5
Acetic acid .... 4.1 to 6.2	.....3.7	Ferric oleate ..... 2.6	Methanol .....33	Oleic acid ..... 2.5	Vinyl chloride .. 2.8 to 6
Butyl chloride .....9.6	D.I. Water .....20	Freon ..... 2.2	Methyl alcohol .33 to 38	Propane, liquid .....	Vinyl alcohol 1.8 to 2.0
Barium chloride 9 to 11	Ethyl toluene .....2.2	Glycerine ..... 47	Margarine, liquid .....	..... 1.8 to 1.9	Water, 20°C ..... 80
Benzene .....2.3	Ethyl alcohol ..... 23	Glycol ..... 30	.....2.8 to 3.2	Potassium nitrate .....	Water, 100°C ..... 48
Benzine .....2.3	Ethylene glycol .....37	Glycol nitrite ..... 27	Methyl acetate .....7.3	..... 5.0 to 5.9	
Barium nitrate .....5.6	Ethylene oxide ..... 14	Gasoline ..... 2 to 2.2	N-butyl formate .....2.4	Potassium chloride ..5.0	
Bromine .....3.1	Ethylene dichloride .....	Hydrochloric acid ... 4.6	Nitrobenzene ...26 to 35	Stearic acid ..... 2.3	
Chlorobenzene . 4.7 to 6	.....11 to 17	Isobutyric acid ..... 2.7		Toluene ..... 2.4	

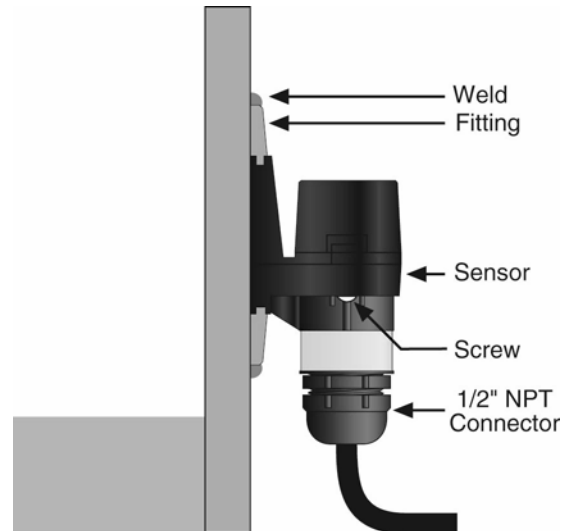
**Components:** The LVP-51-R is offered in three different models. Depending on the model purchased, you may or may not have been shipped all the components shown below.

- LVP-51-R
  - LVP-51-R – PSO body with PP cable
- Quick Start Guide

OMEGA ENGINEERING's LVP-51-R level switch may be installed anywhere on a tank wall using the PE (LVP-91) or PP (LVP-92) bracket that the switch slides into. The bracket comes with adhesive on the tank side that is sufficient to hold the sensor in position temporarily while the installation is tested, but for permanent installation the bracket must be welded, glassed or strapped to the tank. Extra brackets are available from OMEGA ENGINEERING, so that the level switch may be moved to different locations on the tank by sliding it into other brackets.

#### Attach the bracket to the tank:

1. Determine whether the tank is PP or PE. The slide-in fitting shipped with the sensor is determined by the part number. If necessary, obtain an additional bracket.
2. Determine the mounting location for the level switch. The point of actuation (where the sensor will send a "wet" signal) is most often at the center of the sensor; however the actual Point of Actuation (POA) may differ depending on the application liquid and tank wall characteristics. After positioning the fitting to check clearances, etc., remove the paper protective strips from the adhesive of the bracket.
3. Press the bracket into place. The adhesive provides a seal between the sensor and the tank wall, and will hold it in place during testing and installation. If desired, the sensor may be installed temporarily without welding the fitting to the wall. If several different locations must be tried before permanent installation, use double-sided foam stick tape designed for PP or PE.
4. After the sensor has been tested to verify the POA, weld, glass or strap the bracket to the tank using standard industrial plastic techniques.



**Special note for small round tanks:** The bracket may be attached to small, round tanks, as long as the majority of the bracket is firmly attached to the wall. However, extreme installations may affect the switches performance.

#### Mount the sensor in the bracket:

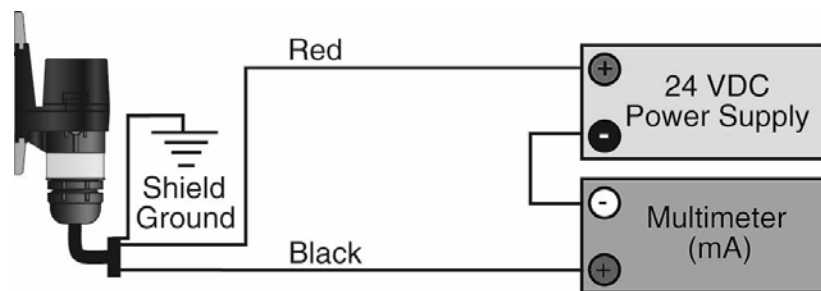
1. Slide the sensor into the bracket.
2. After trimming the sensor wire to length if needed by the installation, thread the sensor wire into a plastic flexible conduit with a 1/2" male fitting. Screw the conduit into the sensor, being careful not to cross the threads. Do not over tighten the conduit in the sensor as this may break the fitting. Such damage is not covered by the warranty. Take care while pulling the wire through conduit that no excessive tension is placed on the sensor end of the wire, so that the wire is not broken from the sensor housing.
3. Connect the sensor wire to the controller following the instructions in its manual. See the following Wiring Section for detailed wiring instructions.

**Supply Voltage:** The supply voltage to the LVP-51-R level switch should never exceed a maximum of 36 VDC. OMEGA ENGINEERING controllers have a built-in 13.5 VDC power supply which provides power to all of OMEGA ENGINEERING's electrically powered sensors. Alternative controllers and power supplies, with a minimum output of 12 VDC up to a maximum output of 36 VDC, may also be used with the level switch.

**Required Cable Length:** Determine the length of cable required between the level switch and its point of termination. Allow enough slack to ensure the easy installation, removal and/or maintenance of the sensor. The cable length may be extended up to a maximum of 1000 feet, using a well-insulated, 14 to 20 gauge shielded four conductor cable.

**Wire Stripping:** Using a 10 gauge wire stripper, carefully remove the outer layer of insulation from the last 1-1/4" of the sensor's cable. Unwrap and discard the exposed foil shield from around the signal wires, leaving the drain wire attached if desired. With a 20 gauge wire stripper, remove the last 1/4" of the colored insulation from the signal wires.

**Signal Outputs (Current sensing):** The standard method used by OMEGA ENGINEERING controllers; this technology uses only two wires (Red and Black). The sensor draws 5 mA when it is dry and 19 mA when wet. NC/NO status must be set by the controller. The White and Green wires are not used.





**Signal Output (Relay switching):** Allows the sensor to switch a small load on or off directly, using an internal 1A relay (60 VAC/60 VDC). All models, LVP-51-R uses the relay and features 4 wires (red, black, white and green) and a shield wire. The NO/NC status is set by the polarity of the voltage feeding the red and black wires. The green wire is the common for the relay and the white wire is the NO or NC, depending on the polarity of red and black.

**Normally Open Wiring:**

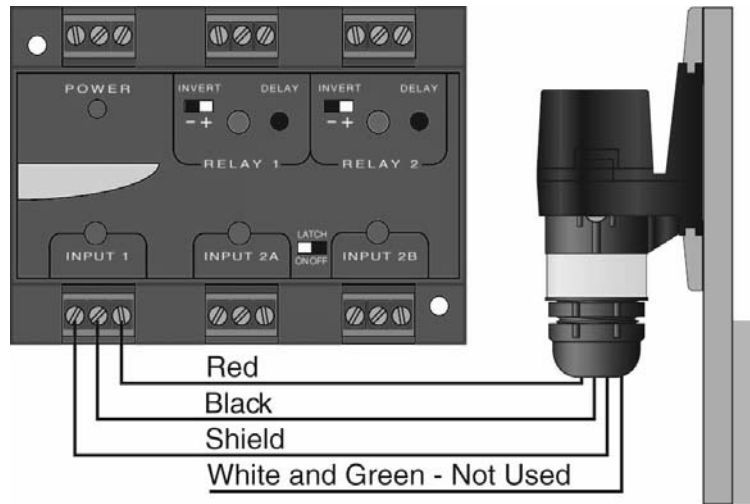


**Normally Closed Wiring:**

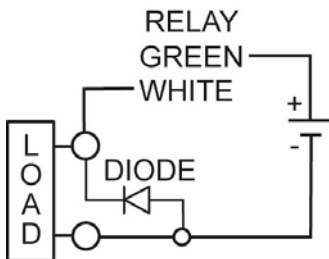


Wiring to a OMEGA ENGINEERING Controller

LVCN-120 Series Controller (4 or 20 mA output):  
LVCN-120 Shown



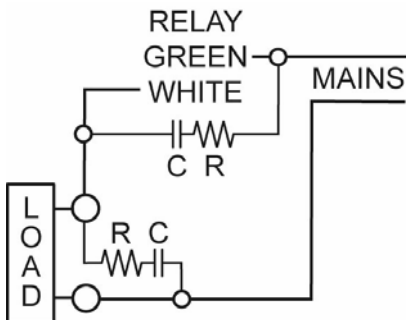
**Switching Inductive Loads:** The use of suppressors (snubbers) is strongly recommended when switching inductive loads to prevent disrupting the microprocessor’s operation. The suppressors also prolong the life of the relay contacts. Suppression can be obtained with a catch diode for DC circuits and a resistor-capacitor (RC) for AC circuits.



**Catch Diode**

- Always use stepper relays between the sensor and external loads. For DC circuits use a catch diode such as 1N4148, shown on left.

Refer to the following circuits for RC network assembly and installation:



**Choose R and C as follows:**

- R: 0.5 to 1 Ohms for each volt across the contacts
- C: 0.5 to 1  $\mu$ F for each amp through closed contacts

**Notes:**

1. Use capacitors rated for 250 VAC.
2. RC networks may affect load release time of solenoid loads. Check to confirm proper operation.
3. Install the RC network at the meters relay screw terminals. An RC network may also be installed across the load. Experiment for best results.

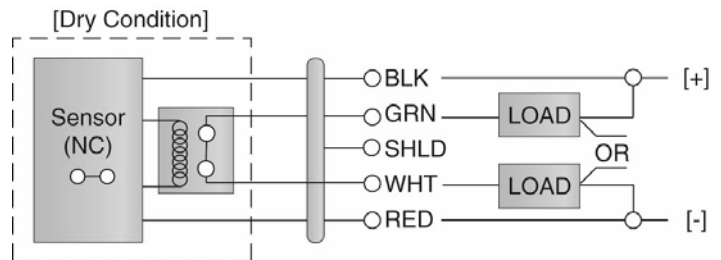
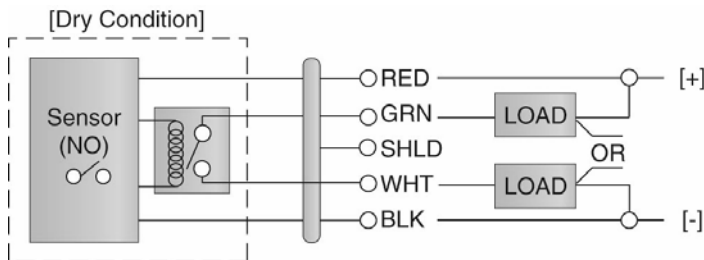
**Wiring the Relay Output:** The LVP-51-R requires 12 - 36 VDC power to operate the sensor and switch the relay. All illustrations below identify a Dry switch state as the normal position of the relay.

**Switching a Normally Open DC Load:**

The Red wire connects to Positive (+) of the power supply and the Black wire connects to Negative (-). The LOAD can be attached to either the Green or White wires. Complete the circuit by connecting the Green to (+) VDC power or White to (-) VDC power (see illustration below).

**Switching a Normally Closed DC Load:**

The Black wire connects to Positive (+) of the power supply and the Red wire connects to Negative (-). The LOAD can be attached to either the Green or White wires. Complete the circuit by connecting the Green to (+) VDC power or White to (-) VDC power (see illustration below).



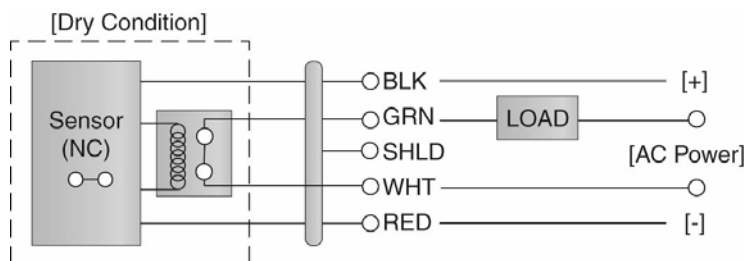
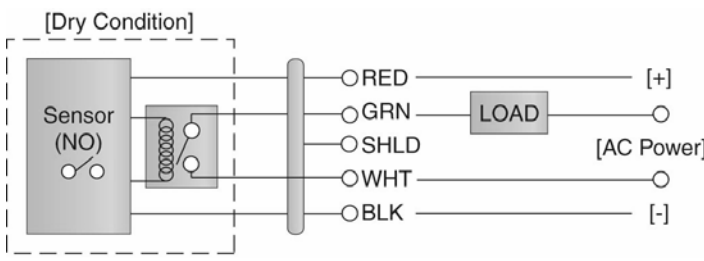
<p><u>Sensor Power</u> [RED &amp; BLK wires] / 36 VDC Max. 5 ±1mA Dry / 20 ±1mA Wet</p>	<p><u>Relay Rating</u> [GRN &amp; WHT wires] / 60 VA</p>
---	--

**Switching a Normally Open AC Load:**

The Red wire connects to Positive (+) of the DC power supply and the Black wire connects to Negative (-). The LOAD can be attached to the Green wire and the Hot of the VAC power. Connect the White to the Neutral of the VAC power (see illustration below).

**Switching a Normally Closed AC Load:**

The Black wire connects to Positive (+) of the DC power supply and the Red wire connects to Negative (-). The LOAD can be attached to the Green wire and the Hot of the VAC power. Connect the White to the Neutral of the VAC power (see illustration below).



<p><u>Sensor Power</u> [RED &amp; BLK wires] / 36 VDC Max. 5 ±1mA Dry / 20 ±1mA Wet</p>	<p><u>Relay Rating</u> [GRN &amp; WHT wires] / 60 VA</p>
---	--

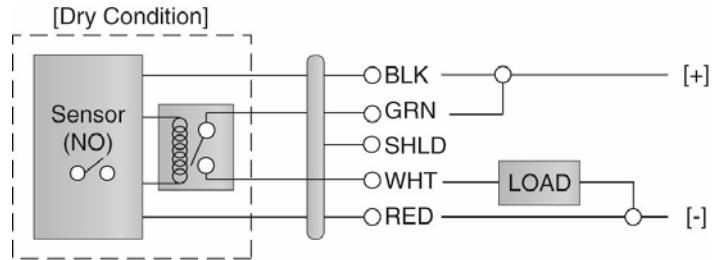
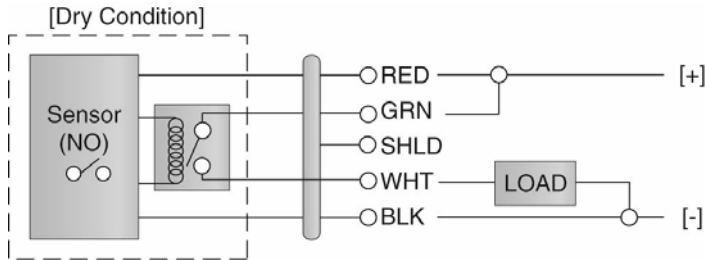
**Wiring as a P-Channel or N-Channel output:** The LVP-51-R can be substituted for either a P-Channel (PNP, sourcing) output or an N-Channel (NPN, sinking) output.

**Normally Open DC Load as a P-Channel Output:**

The Red wire connects to Positive (+) of the power supply and the Black wire connects to Negative (-). The Green wire is jumped to the Red wire while the White wire is connected to the LOAD. Jumper the LOAD to the Negative (-) to complete the circuit.

**Normally Closed DC Load as a P-Channel Output:**

The Black wire connects to Positive (+) of the power supply and the Red wire connects to Negative (-). The Green wire is jumped to the Black wire while the White wire is connected to the LOAD. Jumper the LOAD to the Negative (-) to complete the circuit.



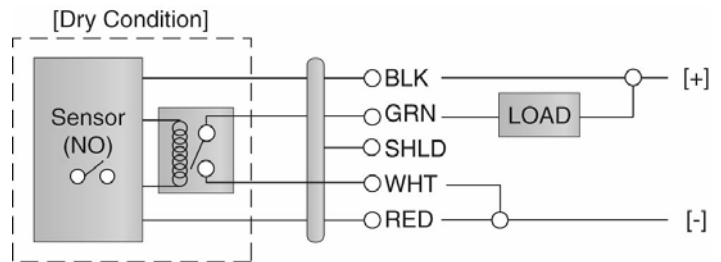
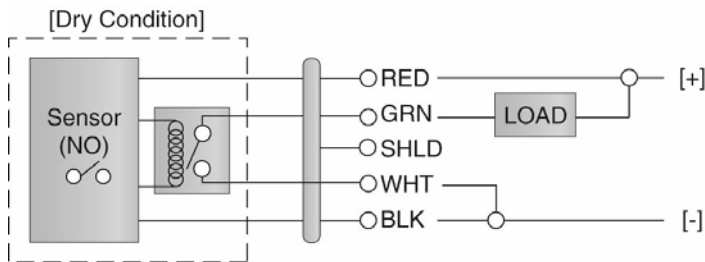
<p><u>Sensor Power</u> [RED &amp; BLK wires] / 36 VDC Max. 5 ±1mA Dry / 20 ±1mA Wet</p>	<p><u>Relay Rating</u> [GRN &amp; WHT wires] / 60 VA</p>
---	--

**Normally Open DC Load as a N-Channel Output:**

The Red wire connects to Positive (+) of the power supply and the Black wire connects to Negative (-). The White wire is jumped to the Black wire while the Green wire is connected to the LOAD. Jumper the LOAD to the Positive (+) to complete the circuit.

**Normally Closed DC Load as a N-Channel Output:**

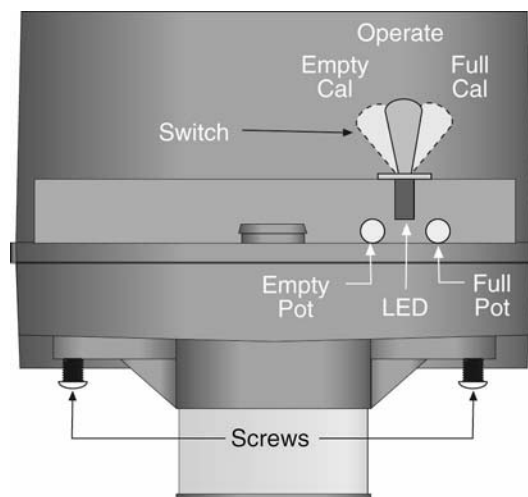
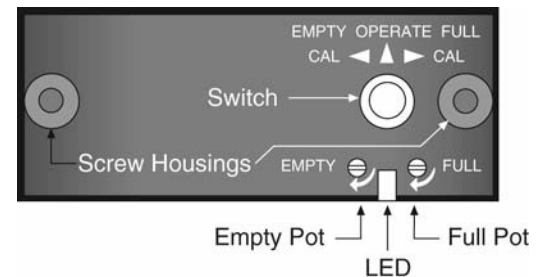
The Black wire connects to Positive (+) of the power supply and the Red wire connects to Negative (-). The White wire is jumped to the Red wire while the White wire is connected to the LOAD. Jumper the LOAD to the Positive (+) to complete the circuit.



<p><u>Sensor Power</u> [RED &amp; BLK wires] / 36 VDC Max. 5 ±1mA Dry / 20 ±1mA Wet</p>	<p><u>Relay Rating</u> [GRN &amp; WHT wires] / 60 VA</p>
---	--

After it is installed in place, the must be calibrated by the user before operation. Everything needed for the procedure is self-contained within the electronics of the LVP-51-R level switch. Two dielectric states—full condition and empty condition—are measured by the LVP-51-R, and then averaged to set the threshold between “wet” and “dry” at the sensor. The empty state must be at least 6" below the bottom of the sensor for calibration. The full state must be to the top of the sensor (not just to the point of actuation) for calibration. The actual application fluid at its intended operating temperature must be used during calibration. Use the following procedure assumes that the sensor has already been wired to a power supply.

1. Remove the cap from the sensor body by loosening the two screws located below the sensor. Do not remove the screws from the sensor. Insert a small screwdriver into the small slot at the edge of the cap and gently pry upwards.
2. Looking down you will see a small three-position switch and two trim pots marked Full and Empty. You may start with whatever state the tank is in.
3. **Full state:** With the tank filled to the top of the sensor, set the switch to the Full position (right). Make sure your hands or any other objects are not touching the sensor while calibrating because this will cause a false reading. Using a small nonmetallic screwdriver or alignment tool, turn trim pot Full until the LED just lights, and no farther. Note the position. Now turn the trim pot back until the LED turns off. The ideal setting for the trim pot is midway between these on and off points.
4. **Empty state:** With the tank drained to a point no closer than 6 inches below the the bottom of the sensor, set the switch to the Empty position (left). Set the Empty trim pot as in Step 3.
5. After completing calibration, make sure to return the switch to the center position. Snap the cap back on by pressing down, and tighten the two screws.



**Checking the Point of Actuation:** Raise the fluid level to the point where the sensor sends a “wet” signal (Input LED will turn Amber on OMEGA ENGINEERING controllers). The “dry” signal should be sent when the fluid level is lowered (Input LED will turn Green on OMEGA ENGINEERING controllers). The actual Point of Actuation (POA) depends on many variables, including the thickness of the wall and the dielectric value of the liquid. For example, thicker tank walls can raise the POA while thinner walls could lower the POA.

If the POA needs to be changed, measure the distance and remount the sensor in a new location.

**⚠ Do not attempt to change the Point of Actuation by intentional miscalibration.**

If the sensor does not signal wet and dry reliably, it may be that:

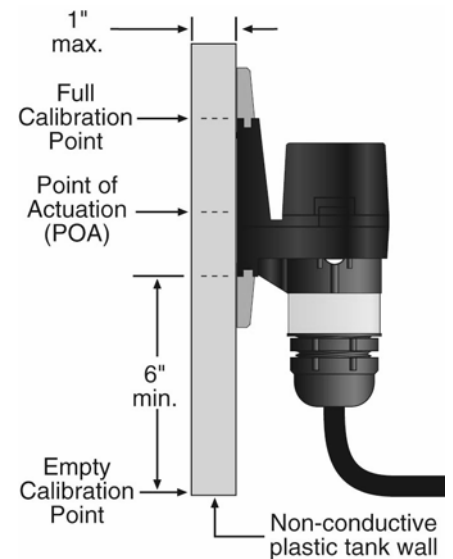
- the dielectric constant of the application fluid is too low
- the tank wall is too thick for the application fluid
- there are static or other electrical charges in the fluid
- metal objects are within 6" of the sensor
- calibration was performed incorrectly

Try the calibration procedure again, after making corrections if possible. If the full and empty states are too similar dielectrically, it may not be possible to use a capacitance sensor.

#### Testing the Sensor:

- 1. Power:** Apply power to sensor, by connecting power to the controller and/or power supply.
- 2. Full condition:** Fill the tank with the application liquid, by filling the tank up to the sensor’s point of actuation.
- 3. Test:** With the sensor being fluctuated between wet and dry states, use a multimeter to ensure that the correct signals are being produced by the LVP-51-R level switch, or observe the sensor indicator light in the controller.
- 4. Point of Actuation:** Observe the point at which the rising or falling fluid level causes the sensor to change state, and move the installation of the sensor if necessary.

**Maintenance:** The LVP-51-R level switch itself requires no periodic maintenance except cleaning as required. However, periodically clean any coating or scaling on the tank wall the sensor is attached to and check the calibration. It is the responsibility of the user to determine the appropriate maintenance schedule, based on the specific characteristics of the application liquids. In addition, any dripping or condensation between the sensor and the tank wall fitting may need to be periodically cleaned to maintain accuracy.





## WARRANTY/DISCLAIMER

OMEGA ENGINEERING, INC. warrants this unit to be free of defects in materials and workmanship for a period of **13 months** from date of purchase. OMEGA's WARRANTY adds an additional one (1) month grace period to the normal **one (1) year product warranty** to cover handling and shipping time. This ensures that OMEGA's customers receive maximum coverage on each product.

If the unit malfunctions, it must be returned to the factory for evaluation. OMEGA's Customer Service Department will issue an Authorized Return (AR) number immediately upon phone or written request. Upon examination by OMEGA, if the unit is found to be defective, it will be repaired or replaced at no charge. OMEGA's WARRANTY does not apply to defects resulting from any action of the purchaser, including but not limited to mishandling, improper interfacing, operation outside of design limits, improper repair, or unauthorized modification. This WARRANTY is VOID if the unit shows evidence of having been tampered with or shows evidence of having been damaged as a result of excessive corrosion; or current, heat, moisture or vibration; improper specification; misapplication; misuse or other operating conditions outside of OMEGA's control. Components in which wear is not warranted, include but are not limited to contact points, fuses, and triacs.

**OMEGA is pleased to offer suggestions on the use of its various products. However, OMEGA neither assumes responsibility for any omissions or errors nor assumes liability for any damages that result from the use of its products in accordance with information provided by OMEGA, either verbal or written. OMEGA warrants only that the parts manufactured by the company will be as specified and free of defects. OMEGA MAKES NO OTHER WARRANTIES OR REPRESENTATIONS OF ANY KIND WHATSOEVER, EXPRESSED OR IMPLIED, EXCEPT THAT OF TITLE, AND ALL IMPLIED WARRANTIES INCLUDING ANY WARRANTY OF MERCHANTABILITY AND FITNESS FOR A PARTICULAR PURPOSE ARE HEREBY DISCLAIMED. LIMITATION OF LIABILITY: The remedies of purchaser set forth herein are exclusive, and the total liability of OMEGA with respect to this order, whether based on contract, warranty, negligence, indemnification, strict liability or otherwise, shall not exceed the purchase price of the component upon which liability is based. In no event shall OMEGA be liable for consequential, incidental or special damages.**

CONDITIONS: Equipment sold by OMEGA is not intended to be used, nor shall it be used: (1) as a "Basic Component" under 10 CFR 21 (NRC), used in or with any nuclear installation or activity; or (2) in medical applications or used on humans. Should any Product(s) be used in or with any nuclear installation or activity, medical application, used on humans, or misused in any way, OMEGA assumes no responsibility as set forth in our basic WARRANTY/DISCLAIMER language, and, additionally, purchaser will indemnify OMEGA and hold OMEGA harmless from any liability or damage whatsoever arising out of the use of the Product(s) in such a manner.

## RETURN REQUESTS/INQUIRIES

Direct all warranty and repair requests/inquiries to the OMEGA Customer Service Department. BEFORE RETURNING ANY PRODUCT(S) TO OMEGA, PURCHASER MUST OBTAIN AN AUTHORIZED RETURN (AR) NUMBER FROM OMEGA'S CUSTOMER SERVICE DEPARTMENT (IN ORDER TO AVOID PROCESSING DELAYS). The assigned AR number should then be marked on the outside of the return package and on any correspondence.

The purchaser is responsible for shipping charges, freight, insurance and proper packaging to prevent breakage in transit.

FOR **WARRANTY** RETURNS, please have the following information available BEFORE contacting OMEGA:

1. Purchase Order number under which the product was PURCHASED,
2. Model and serial number of the product under warranty, and
3. Repair instructions and/or specific problems relative to the product.

FOR **NON-WARRANTY** REPAIRS, consult OMEGA for current repair charges. Have the following information available BEFORE contacting OMEGA:

1. Purchase Order number to cover the COST of the repair,
2. Model and serial number of the product, and
3. Repair instructions and/or specific problems relative to the product.

OMEGA's policy is to make running changes, not model changes, whenever an improvement is possible. This affords our customers the latest in technology and engineering.

OMEGA is a registered trademark of OMEGA ENGINEERING, INC.

© Copyright 2009 OMEGA ENGINEERING, INC. All rights reserved. This document may not be copied, photocopied, reproduced, translated, or reduced to any electronic medium or machine-readable form, in whole or in part, without the prior written consent of OMEGA ENGINEERING, INC.

# Where Do I Find Everything I Need for Process Measurement and Control? **OMEGA...Of Course!** *Shop online at [omega.com](http://omega.com)<sup>SM</sup>*

## **TEMPERATURE**

- M Thermocouple, RTD & Thermistor Probes, Connectors, Panels & Assemblies
- M Wire: Thermocouple, RTD & Thermistor
- M Calibrators & Ice Point References
- M Recorders, Controllers & Process Monitors
- M Infrared Pyrometers

## **PRESSURE, STRAIN AND FORCE**

- M Transducers & Strain Gages
- M Load Cells & Pressure Gages
- M Displacement Transducers
- M Instrumentation & Accessories

## **FLOW/LEVEL**

- M Rotameters, Gas Mass Flowmeters & Flow Computers
- M Air Velocity Indicators
- M Turbine/Paddlewheel Systems
- M Totalizers & Batch Controllers

## **pH/CONDUCTIVITY**

- M pH Electrodes, Testers & Accessories
- M Benchtop/Laboratory Meters
- M Controllers, Calibrators, Simulators & Pumps
- M Industrial pH & Conductivity Equipment

## **DATA ACQUISITION**

- M Data Acquisition & Engineering Software
- M Communications-Based Acquisition Systems
- M Plug-in Cards for Apple, IBM & Compatibles
- M Datalogging Systems
- M Recorders, Printers & Plotters

## **HEATERS**

- M Heating Cable
- M Cartridge & Strip Heaters
- M Immersion & Band Heaters
- M Flexible Heaters
- M Laboratory Heaters

## **ENVIRONMENTAL MONITORING AND CONTROL**

- M Metering & Control Instrumentation
- M Refractometers
- M Pumps & Tubing
- M Air, Soil & Water Monitors
- M Industrial Water & Wastewater Treatment
- M pH, Conductivity & Dissolved Oxygen Instruments