



User's Guide

Shop online at

omega.com[®]

Ω OMEGA

omega.com

e-mail: info@omega.com

For latest product manuals:

omegamanual.info



Series FTB-1400 Turbine Flow Meter



OMEGAnet® Online Service omega.com	Internet e-mail info@omega.com
---	---

Servicing North America:

U.S.A.:
ISO 9001 Certified
One Omega Drive, Box 4047
Stamford, CT 06907-0047
Tel: (203) 359-1660
FAX: (203) 359-7700
e-mail: info@omega.com

Canada:
976 Bergar
Laval (Quebec) H7L 5A1, Canada
Tel: (514) 856-6928
FAX: (514) 856-6886
e-mail: info@omega.ca

For immediate technical or application assistance:

U.S.A. and Canada: Sales Service: 1-800-826-6342/1-800-TC-OMEGA®
Customer Service: 1-800-622-2378/1-800-622-BEST®
Engineering Service: 1-800-872-9436/1-800-USA-WHEN®

Mexico:
En Español: (001) 203-359-7803
e-mail: espanol@omega.com
FAX: (001) 203-359-7807
info@omega.com.mx

Servicing Europe:

Czech Republic: Frystatska 184, 733 01 Karvina, Czech Republic
Tel: +420 (0)59 6311899
FAX: +420 (0)59 6311114
Toll Free: 0800-1-66342
e-mail: info@omegashop.cz

Germany/Austria: Daimlerstrasse 26, D-75392 Deckenpfronn, Germany
Tel: +49 (0)7056 9398-0
FAX: +49 (0)7056 9398-29
Toll Free in Germany: 0800 639 7678
e-mail: info@omega.de

United Kingdom:
ISO 9001 Certified
One Omega Drive, River Bend Technology Centre
Northbank, Irlam, Manchester
M44 5BD United Kingdom
Tel: +44 (0)161 777 6611
FAX: +44 (0)161 777 6622
Toll Free in United Kingdom: 0800-488-488
e-mail: sales@omega.co.uk

It is the policy of OMEGA Engineering, Inc. to comply with all worldwide safety and EMC/EMI regulations that apply. OMEGA is constantly pursuing certification of its products to the European New Approach Directives. OMEGA will add the CE mark to every appropriate device upon certification.

The information contained in this document is believed to be correct, but OMEGA accepts no liability for any errors it contains, and reserves the right to alter specifications without notice.

WARNING: These products are not designed for use in, and should not be used for, human applications.

TABLE OF CONTENTS

Introduction	4
Specifications	6
Installation	7
Operational Start-Up	9
Troubleshooting	11
Flow Monitor Information	12
Repair Kit Information	13
Statement of Warranty	15

INTRODUCTION

Fluid entering the meter passes through the inlet flow straightener which reduces its turbulent flow pattern and improves the fluid's velocity profile. Fluid then passes through the turbine blades causing it to rotate at a speed proportional to the fluid velocity. As each blade passes through the magnetic field, created at the base of the pickoff transducer, AC voltage (pulse) is generated in the pick-up coil (see **Figure 1**). These impulses produce an output frequency proportional to the volumetric flow through the meter. The output frequency is used to represent flow rate and/or totalization of fluid passing through the turbine flow meter.

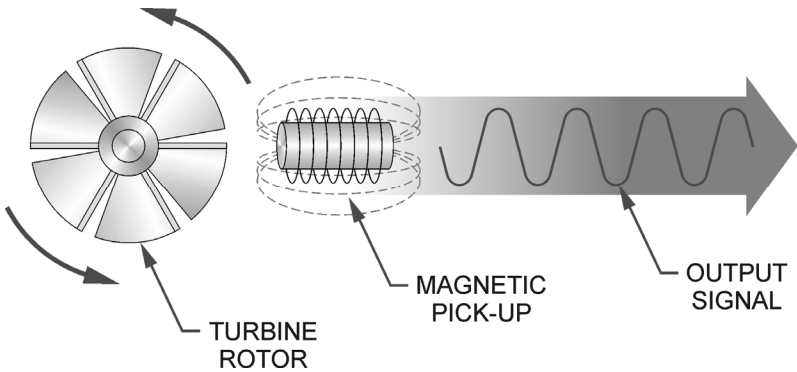


FIGURE 1
Schematic illustration of electric signal generated by rotor movement

TURBINE METER

The FTB-1400 Series Turbine Flow Meter is designed to withstand the rigorous demands of the most remote flow measurement applications. The FTB-1400 Series Flow Meter maintains measurement accuracy and mechanical integrity in the corrosive and abrasive fluids commonly found in oil field waterflood project pipelines, in-situ mining operations, offshore facilities and plant locations. Simple to install and service, it can operate in any orientation (horizontal to vertical) as long as the

“flow direction” arrow is aligned in the same direction as the actual line flow. For optimum performance, the flow meter should be installed with a minimum of 10 diameters upstream pipe length and 5 diameters downstream pipe length.

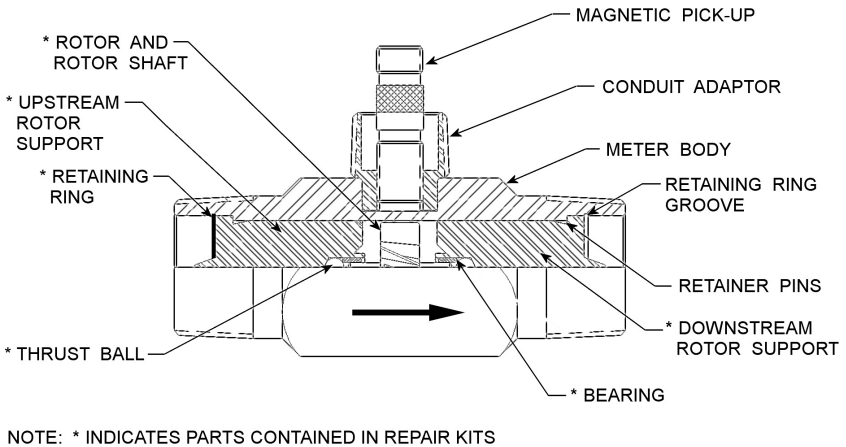


FIGURE 2
Typical cross-section of FTB-1411 through FTB-1441 turbine flow meter

SPECIFICATIONS

MATERIALS of CONSTRUCTION:

Body: 316 Stainless Steel

Rotor: CD4MCU Stainless Steel

Rotor Support and Bearings: 316 Stainless Steel

Rotor Shaft: Tungsten Carbide

OPERATING LIMITATIONS:

Temperature: -150 °F to +350 °F (-101 °C to +177 °C) The meter should not be subjected to temperatures above +350° F (177° C), or below -150° F (-101° C) or the freezing point of the metered liquid. High temperatures will damage the magnetic pick-up, while lower temperatures will limit the rotation of the rotor.

Pressure: Maximum pressure ratings as follows:

5,000 psi — all NPT meters up to 2"

2,000 psi — 3" male NPT

1,500 psi — 4" male NPT

1,000 psi — 6" male NPT

800 psi — all grooved end meters

Note: Consult factory for pressure ratings for flanged meters.

WARNING: *Pressure in excess of allowable rating may cause the housing to burst and cause serious personal injury.*

Accuracy: ± 1.0% of reading

Repeatability: ± 0.1%

Calibration: Water (NIST Traceable Calibration)

Corrosion: All FTB-1400 series turbine meters are constructed of stainless steel and tungsten carbide. The operator must ensure that the operating fluid is compatible with these materials. Incompatible fluids can cause deterioration of internal components and cause a reduction in meter accuracy.

Pulsation and

Vibration: Severe pulsation and mechanical vibration will affect accuracy and shorten the life of the meter

Filtration: If small particles are present in the fluid, it is recommended that a strainer be installed upstream of the meter (see **Table 1** on page 8 for filtration recommendations).

FLOW MONITOR:

For a complete flow monitor package, Omega offers the FTB-1400 Series Flow Monitors (see Appendix B on page 12 for flow monitor information). These digital signal processing displays utilize the low-level frequency input from the FTB-1400 Series Turbine Meters to calculate flow rate and total. When ordered with an Omega FTB-1400 Series Turbine Meter, the included factory calibration will provide dependable and accurate flow information.

REPAIR KIT:

The FTB-1400 Series Turbine Meter Repair Kit is designed for easy field service of a damaged flow meter, rather than replacing the entire flow meter (see Appendix B on page 12 for repair kit information). Repair parts are constructed of stainless steel alloy and tungsten carbide and are factory calibrated to ensure accuracy throughout the entire flow range. Each kit is complete and includes the calibrated K-factor which is used to recalibrate the flow monitor or other electronics to provide accurate output data.

INSTALLATION INSTRUCTIONS

Prior to installation, the flow meter should be checked internally for foreign material and to ensure the turbine rotor spins freely. Fluid lines should also be checked and cleared of all debris.

The flow meter must be installed with the flow arrow, etched on the exterior of the meter body, pointing in the direction of fluid flow. Though the meter is designed to function in any position it is recommended, where possible, to install horizontally with the magnetic pick-up facing upward.

The liquid being measured should be free of any large particles that may obstruct rotation of the rotor. If particles are present, a mesh strainer should be installed upstream before operation of the flow meter. (See **Table 1** on page 8.)

PART NUMBER	STRAINER MESH	CLEARANCE	FILTER SIZE
FTB-1411, FTB-1421	60 × 60	.0092	260 Micron
FTB-1412, FTB-1422	60 × 60	.0092	260 Micron
FTB-1413, FTB-1423	60 × 60	.0092	260 Micron
FTB-1424	60 × 60	.0092	260 Micron
FTB-1425	60 × 60	.0092	260 Micron
FTB-1431	20 × 20	.0340	.86mm
FTB-1441	20 × 20	.0340	.86mm

TABLE 1
Strainer Mesh Installation Details

The preferred plumbing setup is one containing a by-pass line (**Figure 3** on page 10) that allows meter inspection and repair without interrupting flow. If a by-pass line is not utilized, it is important that all control valves be located downstream of the flow meter (**Figure 4** on page 10).

CAUTION: *Damage can be caused by striking an empty meter with a high velocity flow stream.*

This is true with any restriction in the flow line that may cause the liquid to flash. If necessary, air eliminators should be installed to ensure that the meter is not incorrectly measuring entrained air or gas.

It is recommended that a minimum length, equal to ten (10) pipe diameters of straight pipe, be installed on the upstream side and five (5) diameters on the downstream side of the flow meter. Otherwise, meter accuracy may be affected. Piping should be the same size as the meter bore or threaded port size.

Do not locate the flow meter or connection cable close to electric motors, transformers, sparking devices, high voltage lines, or place connecting cable in conduit with wires furnishing power for such devices. These devices can induce false signals in the flow meter coil or cable, causing the meter to read inaccurately.

If problems arise with the flow meter and monitor, consult **Appendix A** (Troubleshooting Guide) on page 11. If further problems arise, consult the factory.

If the internal components of the turbine flow meter are damaged beyond repair, turbine meter repair kits are available. Information pertaining to the turbine meter repair kits is referenced in **Appendix B** on page 12.

OPERATIONAL START-UP

The following steps should be followed when installing and starting the meter.

WARNING: Make sure that fluid flow has been shut off and pressure in the line released before attempting to install the meter in an existing system.

1. After meter installation, close the isolation valves and open the by-pass valve. Flow liquid through the by-pass valve for sufficient time to eliminate any air or gas in the flow line.

CAUTION: High velocity air or gas may damage the internal components of the meter.

2. Open upstream isolating valve slowly to eliminate hydraulic shock while charging the meter with the liquid. Open the valve to full open.

3. Open downstream isolating valve to permit meter to operate.
4. Close the by-pass valve to a full closed position.
5. Adjust the downstream valve to provide the required flow rate through the meter. Note: The downstream valve may be used as a control valve.

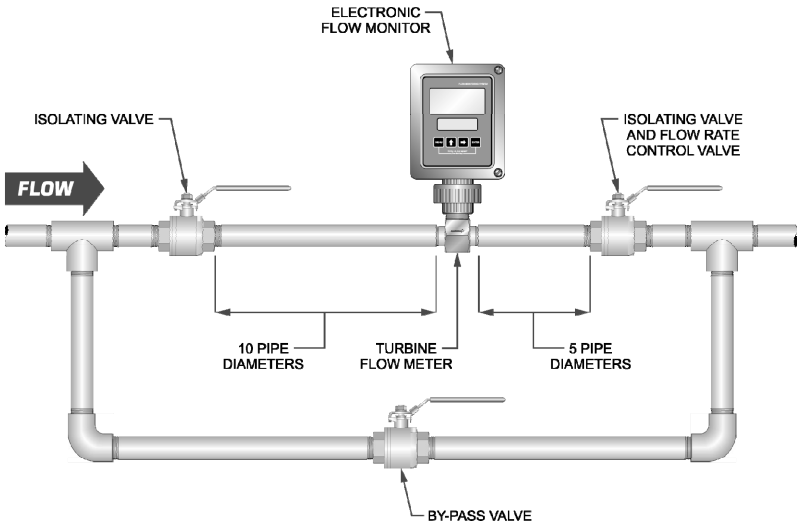


FIGURE 3
Meter installation utilizing a by-pass line
(Shown with an FTB-1400 Series Flow Monitor)

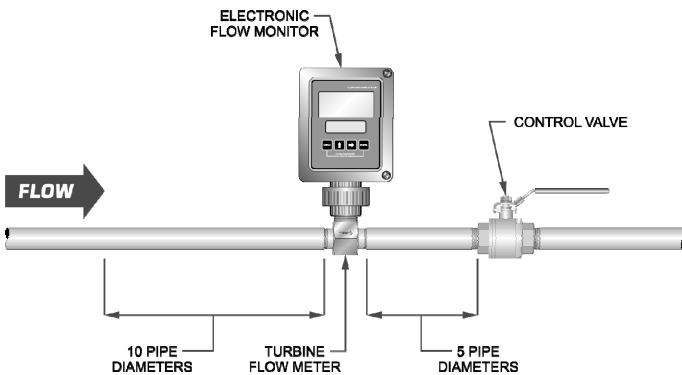


FIGURE 4
Meter installation without utilizing a by-pass line
(Shown with an FTB-1400 Series Flow Monitor)

APPENDIX A

TROUBLESHOOTING GUIDE

Trouble	Possible Cause	Remedy
Meter indicates higher than actual flow rate	<ul style="list-style-type: none"> -Cavitation -Debris on rotor support -Build up of foreign material on meter bore -Gas in liquid 	<ul style="list-style-type: none"> -Increase back pressure -Clean meter -Clean meter -Install gas eliminator ahead of meter
Meter indicates lower than actual flow rate	<ul style="list-style-type: none"> -Debris on rotor -Worn bearing -Viscosity higher than calibrated 	<ul style="list-style-type: none"> -Clean meter and add filter -Clean meter and add filter -Recalibrate monitor
Erratic system indication, meter alone works well (remote monitor application only)	Ground loop in shielding	Ground shield one place only. Look for internal electronic instrument ground. Reroute cables away from electrical noise
Indicator shows flow when shut off	Mechanical vibration causes rotor to oscillate without turning	Isolate meter
No flow indication. Full or partial open position	Fluid shock, full flow into dry meter or impact caused bearing separation or broken rotor shaft	Rebuild meter with repair kit and recalibrate monitor. Move to location where meter is full on start-up or add downstream flow control valve
Erratic indication at low flow, good indication at high flow	Rotor has foreign material wrapped around it	Clean meter and add filter
No flow indication	Faulty pick-up	Replace pick-up
System works perfect, except indicates lower flow over entire range	By-pass flow, leak	Repair or replace by-pass valves, or faulty solenoid valves
Meter indicating high flow, upstream piping at meter smaller than meter bore	Fluid jet impingement on rotor	Change piping
Opposite effects of above	Viscosity lower than calibrated	Change temperature, change fluid or recalibrate meter

APPENDIX B

FTB-1400 SERIES FLOW MONITOR

Simplified Version

- Displays rate and/or total
- Large 8 digit by 3/4" display
- Front panel programming
- NEMA 4X enclosure
- Five selectable units of measure
- Programs in seven simple steps

Part Number Information

FTB - 1400 - X D

Mounting Style

M = Meter Mount

R = Remote Mount

S = Swivel Mount

Advanced Version

- Displays rate and/or total
- Large 8 digit by 3/4" display
- Front panel programming
- NEMA 4X enclosure
- Thirteen selectable units of measure
- Selection of time intervals for rate measurement
- Ten point linearization
- Provides additional programming options

Part Number Information

FTB - 1400 - X D - A

Mounting Style

M = Meter Mount

R = Remote Mount

S = Swivel Mount

FTB-1400 REPAIR KIT

Flow Meter Size	Repair Kit Fits Meter Part Number	Repair Kit Part Number
3/8"	FTB-1411, FTB-1421	FTB-1400A-RK
1/2"	FTB-1412, FTB-1422	FTB-1400B-RK
3/4"	FTB-1413, FTB-1423	FTB-1400C-RK
7/8"	FTB-1424	FTB-1400D-RK
1"	FTB-1425	FTB-1400E-RK
1-1/2"	FTB-1431	FTB-1400F-RK
2" Low	FTB-1441	FTB-1400F-RK
Standard Magnetic Pick-up	All Meter Sizes	FTB-1400-MP

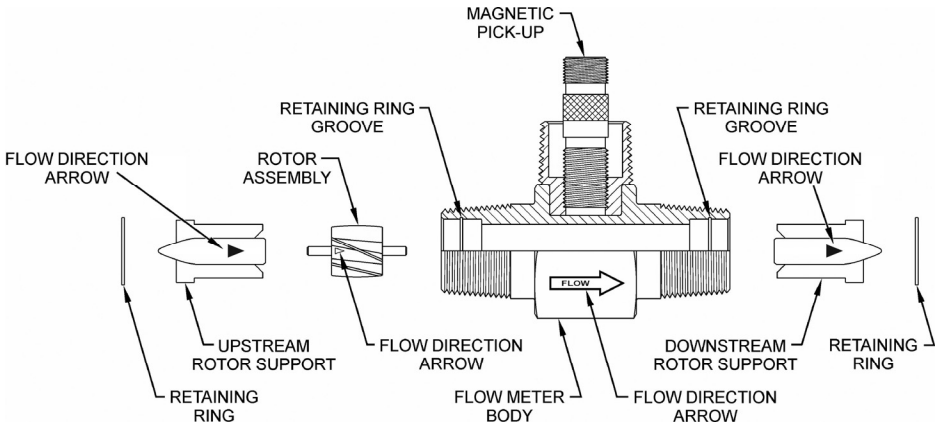


Figure 5
Typical turbine meter component directory

NOTES

WARRANTY/DISCLAIMER

OMEGA ENGINEERING, INC. warrants this unit to be free of defects in materials and workmanship for a period of **13 months** from date of purchase. OMEGA's WARRANTY adds an additional one (1) month grace period to the normal **one (1) year product warranty** to cover handling and shipping time. This ensures that OMEGA's customers receive maximum coverage on each product.

If the unit malfunctions, it must be returned to the factory for evaluation. OMEGA's Customer Service Department will issue an Authorized Return (AR) number immediately upon phone or written request. Upon examination by OMEGA, if the unit is found to be defective, it will be repaired or replaced at no charge. OMEGA's WARRANTY does not apply to defects resulting from any action of the purchaser, including but not limited to mishandling, improper interfacing, operation outside of design limits, improper repair, or unauthorized modification. This WARRANTY is VOID if the unit shows evidence of having been tampered with or shows evidence of having been damaged as a result of excessive corrosion; or current, heat, moisture or vibration; improper specification; misapplication; misuse or other operating conditions outside of OMEGA's control. Components in which wear is not warranted, include but are not limited to contact points, fuses, and triacs.

OMEGA is pleased to offer suggestions on the use of its various products. However, OMEGA neither assumes responsibility for any omissions or errors nor assumes liability for any damages that result from the use of its products in accordance with information provided by OMEGA, either verbal or written. OMEGA warrants only that the parts manufactured by the company will be as specified and free of defects. OMEGA MAKES NO OTHER WARRANTIES OR REPRESENTATIONS OF ANY KIND WHATSOEVER, EXPRESSED OR IMPLIED, EXCEPT THAT OF TITLE, AND ALL IMPLIED WARRANTIES INCLUDING ANY WARRANTY OF MERCHANTABILITY AND FITNESS FOR A PARTICULAR PURPOSE ARE HEREBY DISCLAIMED. LIMITATION OF LIABILITY: The remedies of purchaser set forth herein are exclusive, and the total liability of OMEGA with respect to this order, whether based on contract, warranty, negligence, indemnification, strict liability or otherwise, shall not exceed the purchase price of the component upon which liability is based. In no event shall OMEGA be liable for consequential, incidental or special damages.

CONDITIONS: Equipment sold by OMEGA is not intended to be used, nor shall it be used: (1) as a "Basic Component" under 10 CFR 21 (NRC), used in or with any nuclear installation or activity; or (2) in medical applications or used on humans. Should any Product(s) be used in or with any nuclear installation or activity, medical application, used on humans, or misused in any way, OMEGA assumes no responsibility as set forth in our basic WARRANTY/DISCLAIMER language, and, additionally, purchaser will indemnify OMEGA and hold OMEGA harmless from any liability or damage whatsoever arising out of the use of the Product(s) in such a manner.

RETURN REQUESTS/INQUIRIES

Direct all warranty and repair requests/inquiries to the OMEGA Customer Service Department. **BEFORE RETURNING ANY PRODUCT(S) TO OMEGA, PURCHASER MUST OBTAIN AN AUTHORIZED RETURN (AR) NUMBER FROM OMEGA'S CUSTOMER SERVICE DEPARTMENT (IN ORDER TO AVOID PROCESSING DELAYS).** The assigned AR number should then be marked on the outside of the return package and on any correspondence.

The purchaser is responsible for shipping charges, freight, insurance and proper packaging to prevent breakage in transit.

FOR **WARRANTY** RETURNS, please have the following information available BEFORE contacting OMEGA:

1. Purchase Order number under which the product was PURCHASED,
2. Model and serial number of the product under warranty, and
3. Repair instructions and/or specific problems relative to the product.

FOR **NON-WARRANTY** REPAIRS, consult OMEGA for current repair charges. Have the following information available BEFORE contacting OMEGA:

1. Purchase Order number to cover the COST of the repair,
2. Model and serial number of the product, and
3. Repair instructions and/or specific problems relative to the product.

OMEGA's policy is to make running changes, not model changes, whenever an improvement is possible. This affords our customers the latest in technology and engineering.

OMEGA is a registered trademark of OMEGA ENGINEERING, INC.

© Copyright 2008 OMEGA ENGINEERING, INC. All rights reserved. This document may not be copied, photocopied, reproduced, translated, or reduced to any electronic medium or machine-readable form, in whole or in part, without the prior written consent of OMEGA ENGINEERING, INC.

Where Do I Find Everything I Need for Process Measurement and Control? **OMEGA...Of Course!**

Shop online at omega.comSM

TEMPERATURE

- ☑ Thermocouple, RTD & Thermistor Probes, Connectors, Panels & Assemblies
- ☑ Wire: Thermocouple, RTD & Thermistor
- ☑ Calibrators & Ice Point References
- ☑ Recorders, Controllers & Process Monitors
- ☑ Infrared Pyrometers

PRESSURE, STRAIN AND FORCE

- ☑ Transducers & Strain Gages
- ☑ Load Cells & Pressure Gages
- ☑ Displacement Transducers
- ☑ Instrumentation & Accessories

FLOW/LEVEL

- ☑ Rotameters, Gas Mass Flowmeters & Flow Computers
- ☑ Air Velocity Indicators
- ☑ Turbine/Paddlewheel Systems
- ☑ Totalizers & Batch Controllers

pH/CONDUCTIVITY

- ☑ pH Electrodes, Testers & Accessories
- ☑ Benchtop/Laboratory Meters
- ☑ Controllers, Calibrators, Simulators & Pumps
- ☑ Industrial pH & Conductivity Equipment

DATA ACQUISITION

- ☑ Data Acquisition & Engineering Software
- ☑ Communications-Based Acquisition Systems
- ☑ Plug-in Cards for Apple, IBM & Compatibles
- ☑ Datalogging Systems
- ☑ Recorders, Printers & Plotters

HEATERS

- ☑ Heating Cable
- ☑ Cartridge & Strip Heaters
- ☑ Immersion & Band Heaters
- ☑ Flexible Heaters
- ☑ Laboratory Heaters

ENVIRONMENTAL MONITORING AND CONTROL

- ☑ Metering & Control Instrumentation
- ☑ Refractometers
- ☑ Pumps & Tubing
- ☑ Air, Soil & Water Monitors
- ☑ Industrial Water & Wastewater Treatment
- ☑ pH, Conductivity & Dissolved Oxygen Instruments