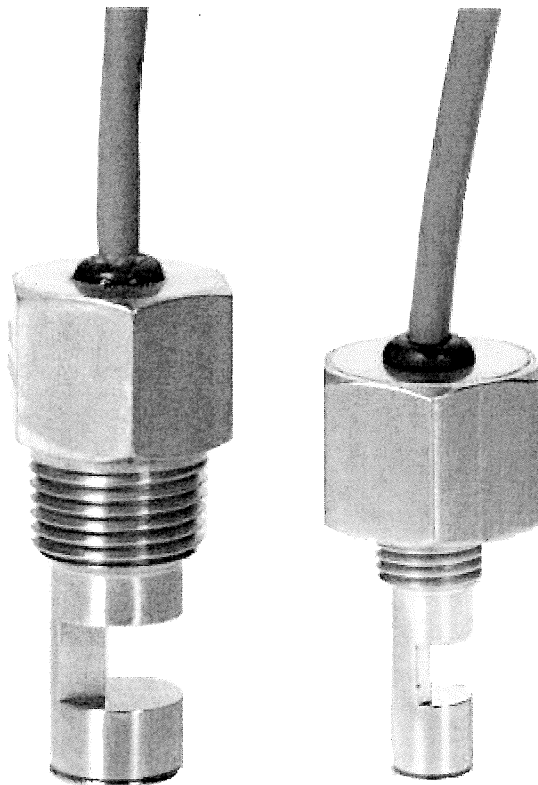


**1 YEAR**  
WARRANTY

**Ω OMEGA®**  
**Ω OMEGA®**  
**User's Guide**



***Shop online at***  
***omega.com®***

*e-mail: [info@omega.com](mailto:info@omega.com)*  
*For latest product manuals:*  
*[omegamanual.info](http://omegamanual.info)*



**LVSW-710 1/4" NPT**  
**LVSW-720 1/2" NPT**

**Ultrasonic Point Level Switches**



**OMEGAnet® Online Service**  
**omega.com**

**Internet e-mail**  
**info@omega.com**

### **Servicing North America:**

**U.S.A.:**  
ISO 9001 Certified

Omega Engineering, Inc., One Omega Drive, P.O. Box 4047  
Stamford, CT 06907-0047 USA  
Toll Free: 1-800-826-6342  
FAX: (203) 359-7700

TEL: (203) 359-1660  
e-mail: info@omega.com

**Canada:**

976 Bergar  
Laval (Quebec), H7L 5A1 Canada  
Toll-Free: 1-800-826-6342  
FAX: (514) 856-6886

TEL: (514) 856-6928  
e-mail: info@omega.ca

### **For immediate technical or application assistance:**

**U.S.A. and Canada:** Sales Service: 1-800-826-6342/1-800-TC-OMEGA®  
Customer Service: 1-800-622-2378/1-800-622-BEST®  
Engineering Service: 1-800-872-9436/1-800-USA-WHEN®

**Mexico/  
Latin America:**

En Español: 001 (203) 359-7803  
info@omega.com.mx

FAX: 001 (203) 359-7807  
e-mail: espanol@omega.com

### **Servicing Europe:**

**Benelux:**

Managed by the United Kingdom Office  
Toll-Free: 0800 099 3344  
FAX: +31 20 643 46 43

TEL: +31 20 347 21 21  
e-mail: sales@omegaeng.nl

**Czech Republic:**

Frystatska 184  
733 01 Karviná, Czech Republic  
Toll-Free: 0800-1-66342  
FAX: +420-59-6311114

TEL: +420-59-6311899  
e-mail: info@omegashop.cz

**France:**

Managed by the United Kingdom Office  
Toll-Free: 0800 466 342  
FAX: +33 (0) 130 57 54 27

TEL: +33 (0) 161 37 29 00  
e-mail: sales@omega.fr

**Germany/Austria:**

Daimlerstrasse 26  
D-75392 Deckenpfronn, Germany  
Toll-Free: 0800 6397678  
FAX: +49 (0) 7056 9398-29

TEL: +49 (0) 7056 9398-0  
e-mail: info@omega.de

**United Kingdom:**  
ISO 9001 Certified

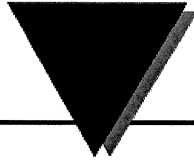
OMEGA Engineering Ltd.  
One Omega Drive, River Bend Technology Centre, Northbank  
Irlam, Manchester M44 5BD United Kingdom  
Toll-Free: 0800-488-488  
FAX: +44 (0) 161 777-6622

TEL: +44 (0) 161 777-6611  
e-mail: sales@omega.co.uk

It is the policy of OMEGA Engineering, Inc. to comply with all worldwide safety and EMC/EMI regulations that apply. OMEGA is constantly pursuing certification of its products to the European New Approach Directives. OMEGA will add the CE mark to every appropriate device upon certification.

The information contained in this document is believed to be correct, but OMEGA accepts no liability for any errors it contains, and reserves the right to alter specifications without notice.

**WARNING:** These products are not designed for use in, and should not be used for, human applications.



.....

## Installation

The LVSW-710 and 720 SERIES should be side mounted.  
 Important - Make sure that all wiring and electrical fittings conform to local electrical code the location selected.

## Visual Inspection:

Unpack the sensor assembly. Visually inspect for any damage. Advise Factory immediately if any damage is detected.

## Preliminary Operation Check:

Before installing the unit, a simple operation check should be performed as follows.

1. Fill a container with liquid.
2. Review the wiring diagram for proper wiring.

Warning: In hazardous environment, never open the housing cover or connect power leads without first disconnecting electrical power at the source.

3. Apply power from the source.
  4. Place the sensor tip in liquid.  
 Observe the output change.
  5. Remove the sensor tip from liquid.  
 Observe the output change to original state.
  6. System functions correctly.
  7. Disconnect power to the system.
  8. Proceed to final installation.
- If System does not function correctly, notify factory.

## Final Installation:

1. Drill a suitable hole in the vessel or pipe wall and tap for a 1/4"NPT or 1/2"NPT thread.
2. Screw the sensor into the threaded connection.

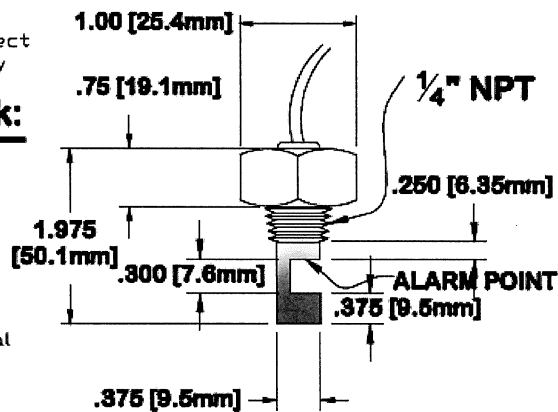
Make sure to add pipe compound or tape to make a good seal. Do not over tighten.  
 3. Make electrical connections as per code and requirements.

## System Malfunction

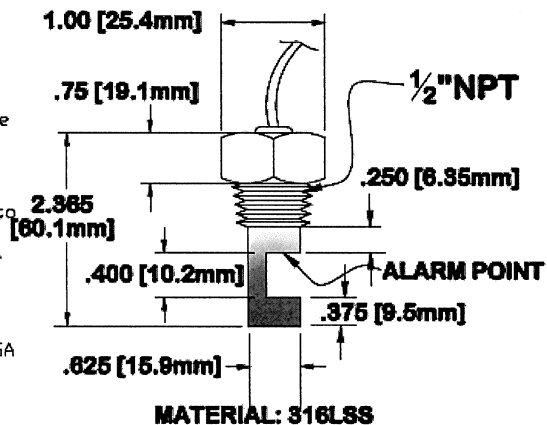
Should the system malfunction, notify OMEGA immediately.

## DIMENSIONS:

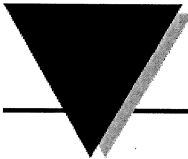
### LVSW-710 1/4" NPT



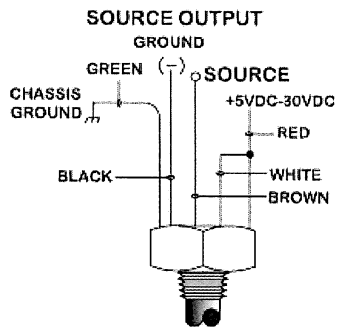
### LVSW-720 1/2" NPT



.....

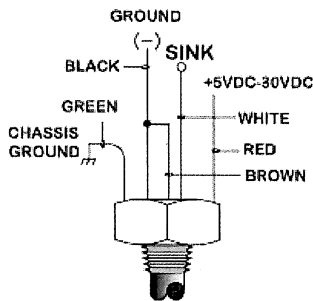


**WIRING DIAGRAMS**



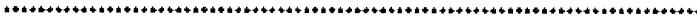
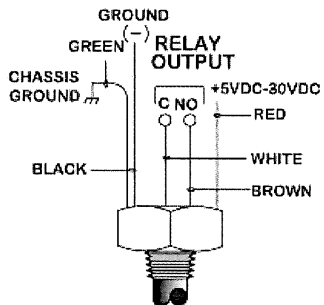
JUMPER WHITE WIRE  
TO RED WIRE(+)

**SINK OUTPUT**



JUMPER BROWN WIRE  
TO BLACK WIRE(-)

**RELAY OUTPUT**



For Ultrasonic Point Level Switches



## WARRANTY/DISCLAIMER

OMEGA ENGINEERING, INC. warrants this unit to be free of defects in materials and workmanship for a period of **13 months** from date of purchase. OMEGA's WARRANTY adds an additional one (1) month grace period to the normal **one (1) year product warranty** to cover handling and shipping time. This ensures that OMEGA's customers receive maximum coverage on each product.

If the unit malfunctions, it must be returned to the factory for evaluation. OMEGA's Customer Service Department will issue an Authorized Return (AR) number immediately upon phone or written request. Upon examination by OMEGA, if the unit is found to be defective, it will be repaired or replaced at no charge. OMEGA's WARRANTY does not apply to defects resulting from any action of the purchaser, including but not limited to mishandling, improper interfacing, operation outside of design limits, improper repair, or unauthorized modification. This WARRANTY is VOID if the unit shows evidence of having been tampered with or shows evidence of having been damaged as a result of excessive corrosion; or current, heat, moisture or vibration; improper specification; misapplication; misuse or other operating conditions outside of OMEGA's control. Components in which wear is not warranted, include but are not limited to contact points, fuses, and triacs.

**OMEGA is pleased to offer suggestions on the use of its various products. However, OMEGA neither assumes responsibility for any omissions or errors nor assumes liability for any damages that result from the use of its products in accordance with information provided by OMEGA, either verbal or written. OMEGA warrants only that the parts manufactured by the company will be as specified and free of defects. OMEGA MAKES NO OTHER WARRANTIES OR REPRESENTATIONS OF ANY KIND WHATSOEVER, EXPRESSED OR IMPLIED, EXCEPT THAT OF TITLE, AND ALL IMPLIED WARRANTIES INCLUDING ANY WARRANTY OF MERCHANTABILITY AND FITNESS FOR A PARTICULAR PURPOSE ARE HEREBY DISCLAIMED. LIMITATION OF LIABILITY: The remedies of purchaser set forth herein are exclusive, and the total liability of OMEGA with respect to this order, whether based on contract, warranty, negligence, indemnification, strict liability or otherwise, shall not exceed the purchase price of the component upon which liability is based. In no event shall OMEGA be liable for consequential, incidental or special damages.**

CONDITIONS: Equipment sold by OMEGA is not intended to be used, nor shall it be used: (1) as a "Basic Component" under 10 CFR 21 (NRC), used in or with any nuclear installation or activity; or (2) in medical applications or used on humans. Should any Product(s) be used in or with any nuclear installation or activity, medical application, used on humans, or misused in any way, OMEGA assumes no responsibility as set forth in our basic WARRANTY/DISCLAIMER language, and, additionally, purchaser will indemnify OMEGA and hold OMEGA harmless from any liability or damage whatsoever arising out of the use of the Product(s) in such a manner.

## RETURN REQUESTS/INQUIRIES

Direct all warranty and repair requests/inquiries to the OMEGA Customer Service Department. BEFORE RETURNING ANY PRODUCT(S) TO OMEGA, PURCHASER MUST OBTAIN AN AUTHORIZED RETURN (AR) NUMBER FROM OMEGA'S CUSTOMER SERVICE DEPARTMENT (IN ORDER TO AVOID PROCESSING DELAYS). The assigned AR number should then be marked on the outside of the return package and on any correspondence.

The purchaser is responsible for shipping charges, freight, insurance and proper packaging to prevent breakage in transit.

FOR **WARRANTY** RETURNS, please have the following information available BEFORE contacting OMEGA:

1. Purchase Order number under which the product was PURCHASED,
2. Model and serial number of the product under warranty, and
3. Repair instructions and/or specific problems relative to the product.

FOR **NON-WARRANTY** REPAIRS, consult OMEGA for current repair charges. Have the following information available BEFORE contacting OMEGA:

1. Purchase Order number to cover the COST of the repair,
2. Model and serial number of the product, and
3. Repair instructions and/or specific problems relative to the product.

OMEGA's policy is to make running changes, not model changes, whenever an improvement is possible. This affords our customers the latest in technology and engineering.

OMEGA is a registered trademark of OMEGA ENGINEERING, INC.

© Copyright 2012 OMEGA ENGINEERING, INC. All rights reserved. This document may not be copied, photocopied, reproduced, translated, or reduced to any electronic medium or machine-readable form, in whole or in part, without the prior written consent of OMEGA ENGINEERING, INC.

# Where Do I Find Everything I Need for Process Measurement and Control?

## OMEGA...Of Course!

*Shop online at [omega.com](http://omega.com)<sup>SM</sup>*

### TEMPERATURE

- ✔ Thermocouple, RTD & Thermistor Probes, Connectors, Panels & Assemblies
- ✔ Wire: Thermocouple, RTD & Thermistor
- ✔ Calibrators & Ice Point References
- ✔ Recorders, Controllers & Process Monitors
- ✔ Infrared Pyrometers

### PRESSURE, STRAIN AND FORCE

- ✔ Transducers & Strain Gages
- ✔ Load Cells & Pressure Gages
- ✔ Displacement Transducers
- ✔ Instrumentation & Accessories

### FLOW/LEVEL

- ✔ Rotameters, Gas Mass Flowmeters & Flow Computers
- ✔ Air Velocity Indicators
- ✔ Turbine/Paddlewheel Systems
- ✔ Totalizers & Batch Controllers

### pH/CONDUCTIVITY

- ✔ pH Electrodes, Testers & Accessories
- ✔ Benchtop/Laboratory Meters
- ✔ Controllers, Calibrators, Simulators & Pumps
- ✔ Industrial pH & Conductivity Equipment

### DATA ACQUISITION

- ✔ Data Acquisition & Engineering Software
- ✔ Communications-Based Acquisition Systems
- ✔ Plug-in Cards for Apple, IBM & Compatibles
- ✔ Data Logging Systems
- ✔ Recorders, Printers & Plotters

### HEATERS

- ✔ Heating Cable
- ✔ Cartridge & Strip Heaters
- ✔ Immersion & Band Heaters
- ✔ Flexible Heaters
- ✔ Laboratory Heaters

### ENVIRONMENTAL MONITORING AND CONTROL

- ✔ Metering & Control Instrumentation
- ✔ Refractometers
- ✔ Pumps & Tubing
- ✔ Air, Soil & Water Monitors
- ✔ Industrial Water & Wastewater Treatment
- ✔ pH, Conductivity & Dissolved Oxygen Instruments