

VIBRATION-RESISTANT LIQUID-FILLED GAUGES

30 inHg to 10,000 psi

Liquid-Filled
for Vibration
Resistance

PGF Series



- ✓ Easy-to-Read 64 mm (2½") Dial
- ✓ Superior Performance in Vibration, Pulsation, Shock Environments
- ✓ Leakproof O-Ring Seal
- ✓ Lower and Back Mounts

SPECIFICATIONS

Case: Stainless steel
Wetted Parts: Brass/bronze
Window: Polycarbonate with O-ring seal
Fill Fluid: Glycerine
Temperature: 66°C (150°F) maximum
Fitting: ¼ NPT brass
Accuracy: ±3-2-3%

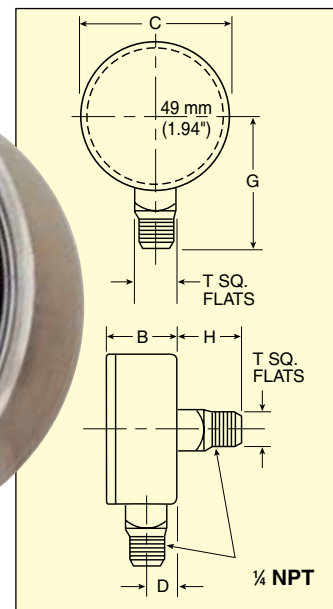


PGF-25L-400 lower fitting shown smaller than actual size.

PGF-25B-300 back fitting shown smaller than actual size.



PGF-25B-1000 back fitting shown smaller than actual size.



RangeTable

CODE psi	FIGURE INTERVAL	MINOR TICKS
15	1	0.5
30	5	0.5
60	5	1
100	10	1
200	20	5
300	30	5
400	50	10
600	50	10
1000	200	20
3000	500	100
5000	1000	100
10,000	1000	200
VACUUM		
30V inHg	5 inHg inches	0.5 inHg inches

Dimensions: mm (inch)

GAUGE	B	C	D	G	H	T	WEIGHT
Back	31 (1.21)	69 (2.71)	N/A	N/A	22 (0.88)	14 (0.56)	21 kg (0.47 lb)
Lower	31 (1.21)	69 (2.71)	12 (0.46)	56 (2.20)	N/A	14 (0.56)	21 kg (0.47 lb)

To Order

DIAL DIAMETER.	MODEL NO.	CONNECTION
64 mm (2½")	PGF-25B-[*]	Back
64 mm (2½")	PGF-25L-[*]	Lower

[*] Insert range from Range Table at left.

Ordering Examples: PGF-25B-100, back-mount gauge with a pressure range to 100 psi.
 PGF-25L-3000, lower-mount gauge with pressure range of 0 to 3000 psi.