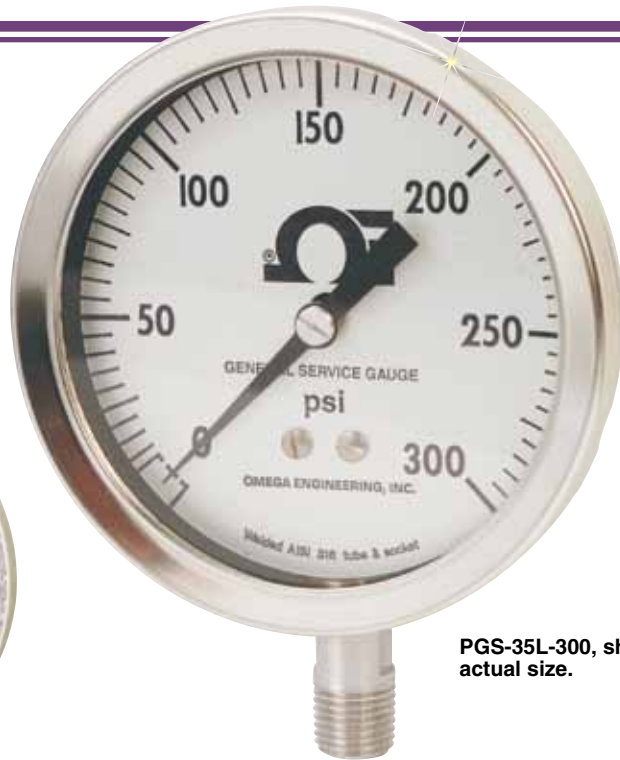


OMEGA® GENERAL SERVICE GAUGES TYPE S

PGS Series



PGS-25L-160, shown actual size.



PGS-35L-300, shown actual size.

- ✓ 63 and 89 mm (2½ and 3½") Dials
- ✓ Stem and Panel Mount Styles
- ✓ Weather-Resistant Stainless Steel Case
- ✓ 316 SS Wetted Parts
- ✓ 1% FS Accuracy

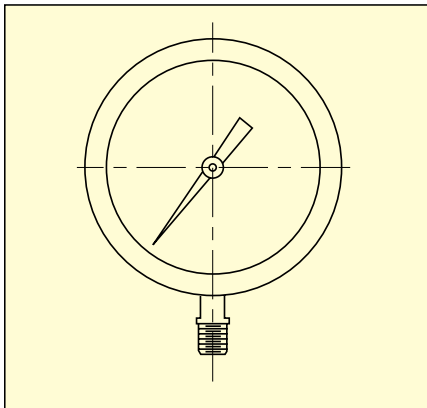
To combat hostile environments, this general service gauge is corrosion, weather, and dust resistant. Mounting versatility,

excellent readability, and sustained accuracy make this stainless steel design a gauge leader. It can be stem, surface, or flush mounted.

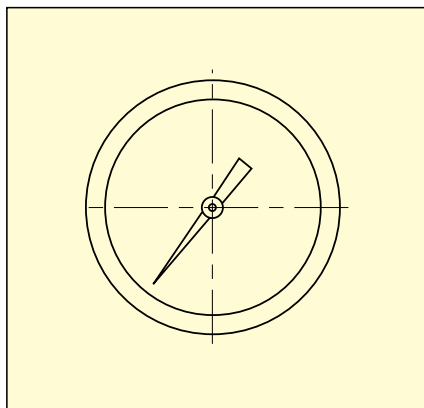
Sustained accuracy and excellent readability are especially important to users of the OMEGA® general service gauge line. Meeting the

requirements of many industrial applications, general service gauges can be used on steam boilers or other pressurized vessels; on pumps and compressors; on many types of industrial machinery; in the chemical, petrochemical, and allied process industries; in power plants; and in pulp and paper mills.

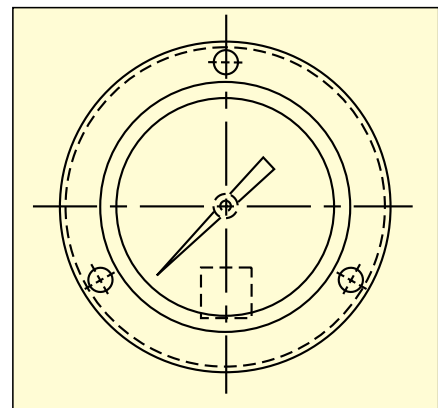
The pressure gauge actuation system in the OMEGA® general service gauge line is the standard 316 SS Bourdon tube system, which is engineered to precise tolerances for repeatability and consistent response to pressure fluctuations.



STYLE L

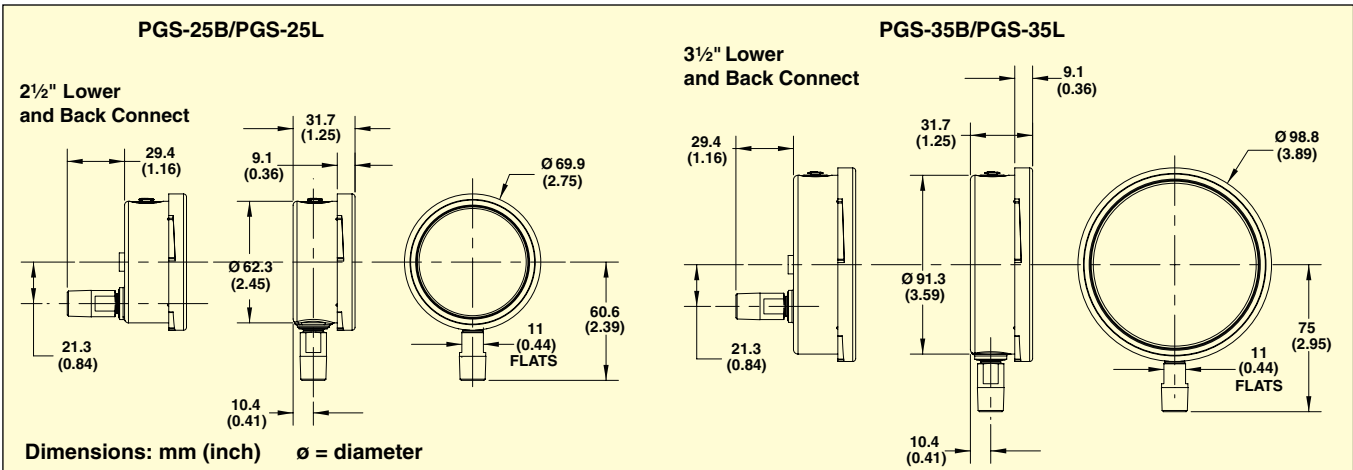


STYLE B



STYLE B
With Flange Mounting Kit

TYPE S GENERAL SERVICE GAUGES



SPECIFICATIONS

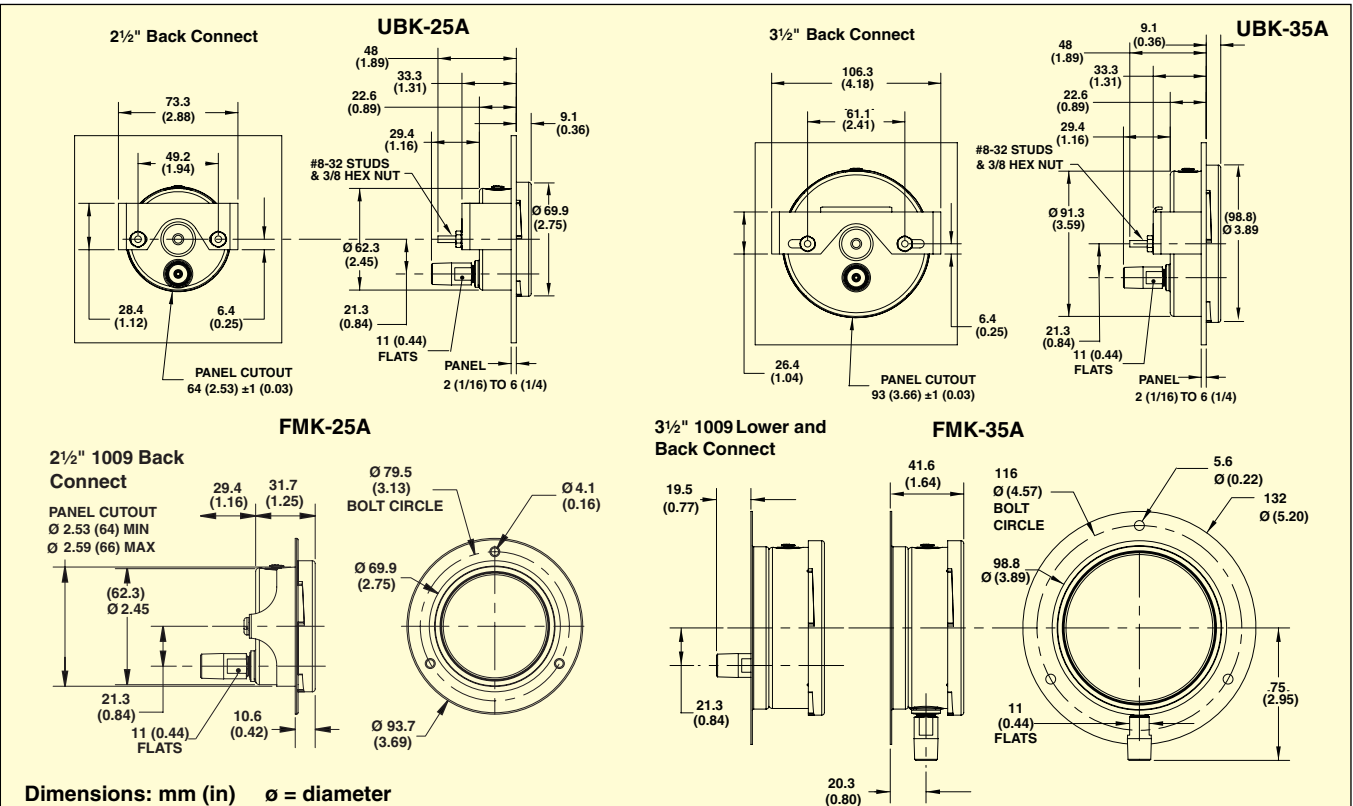
Max Operating Temp: 66°C (150°F)
Case: Polished stainless steel
Window: Polycarbonate plastic with Neoprene sealing gasket
Bourdon Tube: 316 SS

Connection: Back or lower
Fitting: 316 SS, 1/4 NPT
Dial Size: 63 and 89 mm (2 1/2 and 3 1/2")
Mounting: Stem, flange or "U" bracket
Accuracy: 1% full scale

Warning: To prevent misapplication, all gauge components should be chosen with an eye to the media and ambient operating conditions to which they will be exposed. Improper application can be detrimental to the gauge, causing failure and possible personal injury and property damage.

ACCESSORIES FOR TYPE S GAUGES

MODEL NO.	DESCRIPTION
UBK-25A	U-bracket kit for 2 1/2 gauge
UBK-35A	U-bracket kit for 3 1/2 gauge
FMK-25A	Flange mount kit for 2 1/2 gauge
FMK-35A	Flange mount kit for 3 1/2 gauge



HOW TO ORDER TYPE S GENERAL SERVICE GAUGES

Standard Ranges—Type S Pressure (psi)



DIAL SIZE	MODEL NO.	CONNECTION
2½"	PGS-25L-[*] (to 600 psi)	Lower
	PGS-25L-[*] (over 600 psi)	Lower
	PGS-25B-[*] (to 600 psi)	Back
	PGS-25B-[*] (over 600 psi)	Back
3½"	PGS-35L-[*] (to 600 psi)	Lower
	PGS-35L-[*] (over 600 psi)	Lower
	PGS-35B-[*] (to 600 psi)	Back
	PGS-35B-[*] (over 600 psi)	Back

* Insert range code from table below. Comes complete with operator's manual.

Option: "X6B", oxygen service cleaning.

Ordering Example: PGS-25B-160, pressure gauge, general service type, 2½" dial, back connection, 0/160 psi range.

Pressure Range: Select a gauge with a full scale pressure range of approximately twice the normal operating pressure. The maximum operating pressure should not exceed approximately 75% of the full scale range. Failure to select a gauge range within these criteria may ultimately result in fatigue failure of the Bourdon tube.

Oil-Filled Gauges Also Available:

Type S gauges are available on special order filled with silicone oil. The silicone oil is used to dampen the internal movement of the gauge when it is installed on vibrating equipment. The oil has an operating range of -40 to 66°C (-40 to 150°F). The maximum storage temperature of the gauge is 82°C (180°F).

To Order: Add suffix "F" to model number for an additional **cost** for 63 mm (2½") gauges or an additional **cost** for 89 mm (3½") gauges.



PGS-25L-160, shown smaller than actual size.



PGS-25L-100, shown smaller than actual size.

RANGE CODE	RANGE	FIGURE INTERVAL	MINOR GRADUATION
15	0/15	1	0.2
30	0/30	5	0.5
60	0/60	5	1
100	0/100	10	1
160	0/160	20	2
200	0/200	20	2
300	0/300	30	5
400	0/400	50	6
600	0/600	50	10
800	0/800	100	10
1000	0/1000	100	10
1500	0/1500	200	20
2000	0/2000	200	20
3000	0/3000	300	50
5000	0/5000	500	50
6000	0/6000	1000	100
7500	0/7500	1000	100
10,000	0/10,000	1000	100
VACUUM			
30V	30 to 0 inHg	5 inHg	0.5 inHg

RANGE CODE	RANGE	FIGURE INTERVAL		MINOR GRADUATION	
		INCHES MERCURY	psi	INCHES MERCURY	psi
30V/15	30 inHg vac/0/15 psi	5	3	1	0.5
30V/30	30 inHg vac/0/30 psi	10	5	1	1
30V/60	30 inHg vac/0/60 psi	10	10	2	1
30V/100	30 inHg vac/0/100 psi	10	10	2	1
30V/150	30 inHg vac/0/150 psi	10	20	5	2
30V/300	30 inHg vac/0/300 psi	30	25	5	5

Note: For Type S gauges with oxygen cleaning, gauge fill must be Halocarbon, for additional cost.

Ordering Example: PGS-25B-60-F, pressure gauge, general service type, 63 mm (2½") dial, 0/60 psi range, silicone oil filled.