

NEMA 4X (IP66) PRESSURE SWITCHES

PSW-300 Series:
Vacuum to 3000 psi
PSW-350 Series:
5 InH₂O to 400 psid



PSW-355, shown smaller than actual size.

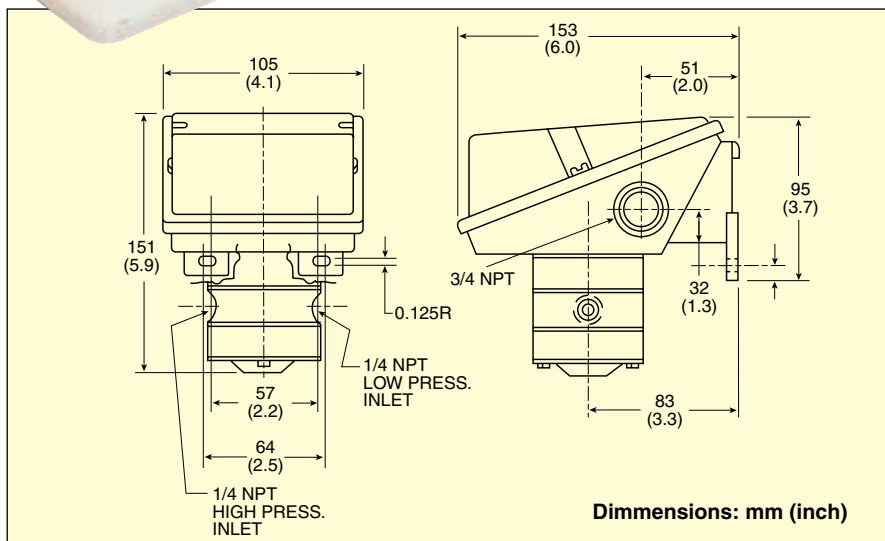
3/4 NPT Conduct Connection

PRESSURE SWITCHES **H**

PSW-300 Series



- ✓ ±1% Setpoint Repeatability
- ✓ Rugged Epoxy-Coated NEMA 4X (IP66) Watertight Enclosure
- ✓ Dependable Switch Actuation Between the 2 Input Pressures
- ✓ High Static Pressure



SPECIFICATIONS

Approvals: UL listed, CSA certified
Storage Temp: -29 to 66°C (-20 to 150°F)

Ambient Temp Limits: -29 to 66°C (-20 to 150°F); setpoint typically shifts +1% of range per 28°C (50°F) of temperature change.

Enclosure: NEMA 4X (IP66) and corrosion resistant

Setpoint Repeatability: ±1% of range

Switch Output: 1 or 2 SPDT switches
 can be wired “normally open” or “normally closed”

Electrical Rating:
10 A: 125/250 Vac
0.5 A: 125 Vdc
0.25 A: 250 Vdc
15 A: 125/250 Vac

Enclosure: Epoxy-coated aluminum, gasketed

Weight: 0.9 kg (2 lb)

Electrical Connection:
 3/4 FNPT

Pressure Connection:
 1/4 FNPT; brass-plated carbon steel for psid ranges; carbon steel for H₂O ranges; 1/2 NPT male for vacuum to 600 psi;
 1/4 FNPT for 1000 and 3000 psi

Connection Material:

Vac through inH₂O
ranges: carbon steel;
 all psi ranges: 316 SS

Dimensions:
 153 H x 105 W mm (6 x 4.125"); 95 mm D (3.75") for psi units; 114 mm D (4.5") for inH₂O units

OPTIONS

ORDERING SUFFIX	DESCRIPTION
-V	FKM diaphragm and O-ring
-T	PTFE diaphragm and O-ring
-SS	SS diaphragm (psi units to 60 psid only)
-M	Monel® (psi ranges only)

To Order					
MODEL NO.	ADJUSTABLE RANGE		DEADBAND STANDARD UNITS	PROOF PRESSURE	SWITCH
	STANDARD	METRIC			
FNPT SINGLE SETPOINT, ADJUSTABLE DEADBAND, BUNA-N DIAPHRAGM, O-RING, ¼ FNPT CONNECTION					
PSW-301	-6 to -30 inHg vac	-20 to -100 kPa	6 to 24	250 psi	10 A SPDT
PSW-302	6 to 30 inH ₂ O	1.5 to 7.5 kPa	4 to 27	20 psi	10 A SPDT
PSW-303	12 to 60 inH ₂ O	3 to 15 kPa	5 to 54	20 psi	10 A SPDT
PSW-304	30 to 150 inH ₂ O	7.4 to 37 kPa	18 to 135	20 psi	10 A SPDT
PSW-305	3 to 15 psi	20 to 100 kPa	2.5 to 13	500 psi	10 A SPDT
PSW-306	6 to 30 psi	40 to 200 kPa	3 to 18	500 psi	10 A SPDT
PSW-307	20 to 100 psi	140 to 700 kPa	10 to 90	1000 psi	10 A SPDT
PSW-308	40 to 200 psi	280 to 1400 kPa	18 to 180	1000 psi	10 A SPDT
PSW-309	80 to 400 psi	0.56 to 2.8 MPa	45 to 360	2400 psi	10 A SPDT
PSW-310	200 to 1000 psi	1.4 to 7 MPa	160 to 900	12,000 psi	10 A SPDT
PSW-311	600 to 3000 psi	4.2 to 21 MPa	400 to 2600	12,000 psi	10 A SPDT
FNPT DUAL SETPOINT, FIXED DEADBAND, BUNA-N DIAPHRAGM, O-RING, ¼ FNPT CONNECTION					
PSW-321	-6 to -30 inHg vac	- 20 to -100 kP	0.7 to 1.4	250 psi	Two 15 A SPDT
PSW-322	6 to 30 inH ₂ O	1.5 to 7.5 kPa	0.7 to 1.4	20 psi	Two 15 A SPDT
PSW-323	12 to 60 inH ₂ O	3 to 15 kPa	0.7 to 1.8	20 psi	Two 15 A SPDT
PSW-324	30 to 150 inH ₂ O	7.4 to 37 kPa	2.1 to 4.2	20 psi	Two 15 A SPDT
PSW-325	3 to 15 psi	20 to 100 kPa	0.7 to 1.4	500 psi	Two 15 A SPDT
PSW-326	6 to 30 psi	40 to 200 kPa	0.7 to 2.1	500 psi	Two 15 A SPDT
PSW-327	20 to 100 psi	140 to 700 kPa	1.4 to 3.5	1000 psi	Two 15 A SPDT
PSW-328	40 to 200 psi	280 to 1400 kPa	1.4 to 5.6	1000 psi	Two 15 A SPDT
PSW-329	80 to 400 psi	0.56 to 2.8 MPa	6 to 11	2400 psi	Two 15 A SPDT
PSW-330	200 to 1000 psi	1.4 to 7 MPa	10 to 42	12,000 psi	Two 15 A SPDT
PSW-331	600 to 3000 psi	4.2 to 21 MPa	42 to 98	12,000 psi	Two 15 A SPDT
FNPT DUAL SETPOINT, FIXED DEADBAND, 316 SS DIAPHRAGM, ¼ FNPT CONNECTION					
PSW-345	3 to 15 psi	20 to 100 kPa	0.7 to 1.4	500 psi	Two 15 A SPDT
PSW-346	6 to 30 psi	40 to 200 kPa	1.7 to 2.8	500 psi	Two 15 A SPDT
PSW-347	20 to 100 psi	140 to 700 kPa	2.8 to 5.6	1000 psi	Two 15 A SPDT
PSW-348	40 to 200 psi	280 to 1400 kPa	4.2 to 11.2	1000 psi	Two 15 A SPDT

To Order					
MODEL NO.	ADJUSTABLE RANGE UNITS	DEADBAND STANDARD PRESSURE	STATIC WORKING PRESSURE	PROOF PRESSURE	SWITCH
Single Setpoint, Adjustable Deadband, Buna-N Diaphragm, O-Ring, ¼ NPTF					
PSW-351	5 to 30 inH ₂ O	4 to 27	5.4 psi	21.6 psi	10 A SPDT
PSW-352	9 to 60 inH ₂ O	5 to 54	5.4 psi	21.6 psi	10 A SPDT
PSW-353	15 to 100 inH ₂ O	8.5 to 90	5.4 psi	21.6 psi	10 A SPDT
PSW-354	23 to 150 inH ₂ O	18 to 135	5.4 psi	21.6 psi	10 A SPDT
PSW-355	5 to 30 psid	3 to 27	500 psi	2000 psi	10 A SPDT
PSW-356	9 to 60 psid	5 to 54	500 psi	2000 psi	10 A SPDT
PSW-357	30 to 200 psid	18 to 180	1000 psi	4000 psi	10 A SPDT
PSW-358	60 to 400 psid	45 to 360	1000 psi	8000 psi	10 A SPDT
Dual Setpoint, Fixed Deadband, Buna-N Diaphragm, O-Ring, ¼ NPTF					
PSW-361	5 to 30 inH ₂ O	0.7 to 1.4	5.4 psi	21.6 psi	Dual 15 A*
PSW-362	9 to 60 inH ₂ O	0.7 to 2.0	5.4 psi	21.6 psi	Dual 15 A*
PSW-363	15 to 100 inH ₂ O	1.4 to 2.8	5.4 psi	21.6 psi	Dual 15 A*
PSW-364	23 to 150 inH ₂ O	2.4 to 4.2	5.4 psi	21.6 psi	Dual 15 A*
PSW-365	5 to 30 psid	1.0 to 2.1	500 psi	2000 psi	Dual 15 A*
PSW-366	9 to 60 psid	1.4 to 2.8	500 psi	2000 psi	Dual 15 A*
PSW-367	30 to 200 psid	1.4 to 5.6	1000 psi	4000 psi	Dual 15 A*
PSW-368	60 to 400 psid	5.6 to 11	1000 psi	8000 psi	Dual 15 A*

"Pressure Switch Options (Add Suffix to Model Number for additional cost):
 Hermetically sealed 5 A 125/250 Vac switch for extra protection in severe environments **"-P"**, single setpoint. **"-PP"**, dual setpoint.
Ordering Example: PSW-345-PP, dual hermetically sealed switches, range of 3 to 15 psi.