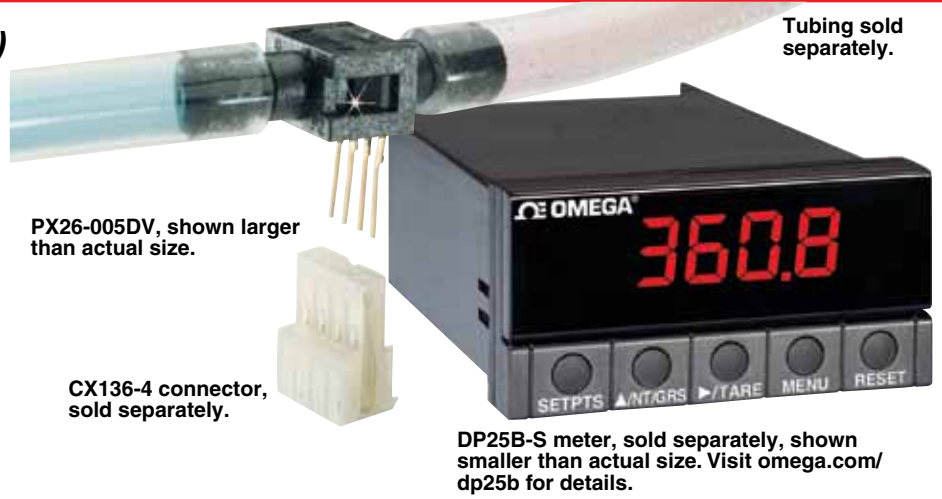


LOW-COST WET/WET GAGE OR DIFFERENTIAL PRESSURE SENSOR

0-1 to 0-250 psi (0-0.07 to 17.2 bar)
Gage and Differential

PX26 Series

- ✓ Water and Many Other Liquids Can be Applied to Both Sides
- ✓ Gage and Differential Models Available
- ✓ Miniature PC Board Mount Design



OMEGA's PX26 Series pressure sensors feature state-of-the-art silicon technology that permits both sides of the diaphragm to handle liquids. A unique conductive seal between the silicon diaphragm and the plastic housing allows for wet/wet applications and lower production costs than typical gold wire silicon sensors. This new construction has a larger diaphragm than traditional silicon sensors, resulting in increased long-term stability.

SPECIFICATIONS

Excitation: 10 Vdc, 16 Vdc max @ 2 mA

Output (@ 10 Vdc): 1 psi = 16.7 mV;
5 psi = 50 mV; >5 psi = 100 mV;
250 psi = 150 mV

Linearity: ±0.25% FS BFSL typical
(±1% maximum) P2 > P1

Hysteresis and Repeatability: 0.2% FS

Zero Balance: ±1.5 mV

Span Tolerance: ±3.0 mV

1-Year Stability: 0.5% FS

Operating Temperature: -40 to 85°C
(-40 to 185°F)

Compensated Temperature: 0 to 50°C
(32 to 122°F)

Thermal Effects:

Zero: 1 mV

Span: 1% rdg

Proof Pressure: 20 psi for ≤5 psi range;
45 psi for 15 psi; 60 psi for 30 psi;
200 psi for 100 psi

Input Resistance: 7.5 kΩ

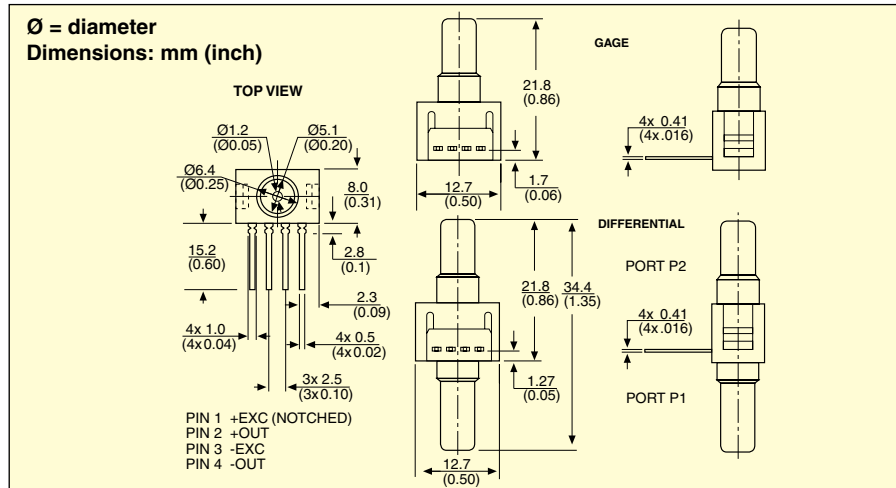
Output Resistance: 2.5 kΩ

Response Time: 1 ms

Gage Type: Silicon sensor

Wetted Parts: Polyethimide, silicon,
fluorosilicone

Weight: 2 g (0.07 oz)



To Order Visit omega.com/px26 for Pricing and Details

RANGE		MODEL NO.	COMPATIBLE METERS
psig	bar		
0 to 1	0 to 0.07	PX26-001GV	DP25B-S, DP460-S, DP41-S
0 to 5	0 to 0.34	PX26-005GV	DP25B-S, DP460-S, DP41-S
0 to 15	0 to 1.0	PX26-015GV	DP25B-S, DP460-S, DP41-S
0 to 30	0 to 2.1	PX26-030GV	DP25B-S, DP460-S, DP41-S
0 to 100	0 to 6.9	PX26-100GV	DP25B-S, DP460-S, DP41-S
0 to 250	0 to 17.2	PX26-250GV	DP25B-S, DP460-S, DP41-S
±1 psid	±0.07	PX26-001DV	DP25B-S, DP460-S, DP41-S
±5 psid	±0.34	PX26-005DV	DP25B-S, DP460-S, DP41-S
±15 psid	±1.0	PX26-015DV	DP25B-S, DP460-S, DP41-S
±30 psid	±2.1	PX26-030DV	DP25B-S, DP460-S, DP41-S
±100 psid	±6.9	PX26-100DV	DP25B-S, DP460-S, DP41-S
±250 psid	±17.2	PX26-250DV	DP25B-S, DP460-S, DP41-S

ACCESSORIES

MODEL NO.	DESCRIPTION
CX136-4	4-pin mating connector
TX4-100	4-conductor copper wire, 30.5 m (100')
TY316-100	Flexible plastic tubing, 30.5 m (100')

Comes complete with operator's manual.

Ordering Example: PX26-030DV, bi-directional range of ±30 psid.