

BALANCED AIR OPERATED SHUT-OFF VALVES SERIES BSR/BSRM 1/2" - 2" SIZES IN PVC & NATURAL POLYPRO



FEATURES:

- Geon® PVC or Natural Polypro body materials in 1/2", 3/4", 1", 1-1/2" and 2" pipe sizes.
- Suitable for Vacuum through 150 PSI (max. inlet or outlet pressure). Vacuum service must be specified with order.
- No pressure differential required.
- Compact - requires minimum space.
- Long dependable cycle life.
- Low pressure drop with high flow rates.
- Non-sticking design with bubble-tight sealing.
- Isolated spring is not in the liquid.
- Easy to install in any position with 1/4-20 mounting holes supplied.

Plast-O-Matic Series BSR and BSRM air operated normally closed valves are the answer to handling pure liquids, chemicals, acids, and caustics where positive bubble-tight shutoff is a prime concern, and where it is not necessary to visually see the position of the valve.

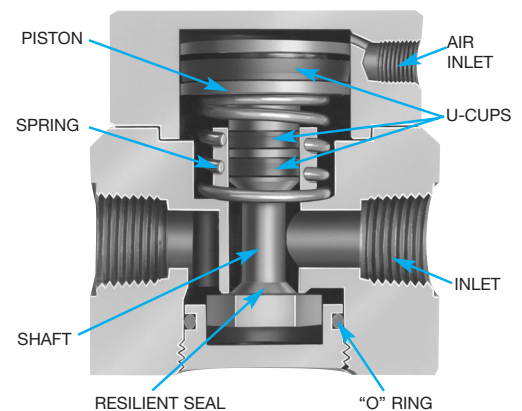
DESIGN:

Series BSR requires 25 PSI of air pressure to fully open; Series BSRM requires 50 PSI of air pressure to fully open. The valve closes automatically via spring – also known as fail-safe to closed position – when air is shut off. The spring (stainless steel) is not in the liquid. Double U-Cup seals are used on the internal shaft for safety, low friction and long cycle life. This reduced friction design, in conjunction with a poppet seat at the valve orifice, results in a non-sticking design. This design also allows high pressure and flow rates, with minimal pressure drop. Due to the “balanced” design, valve outlet pressure (backpressure) can be as high as inlet pressure without affecting performance.

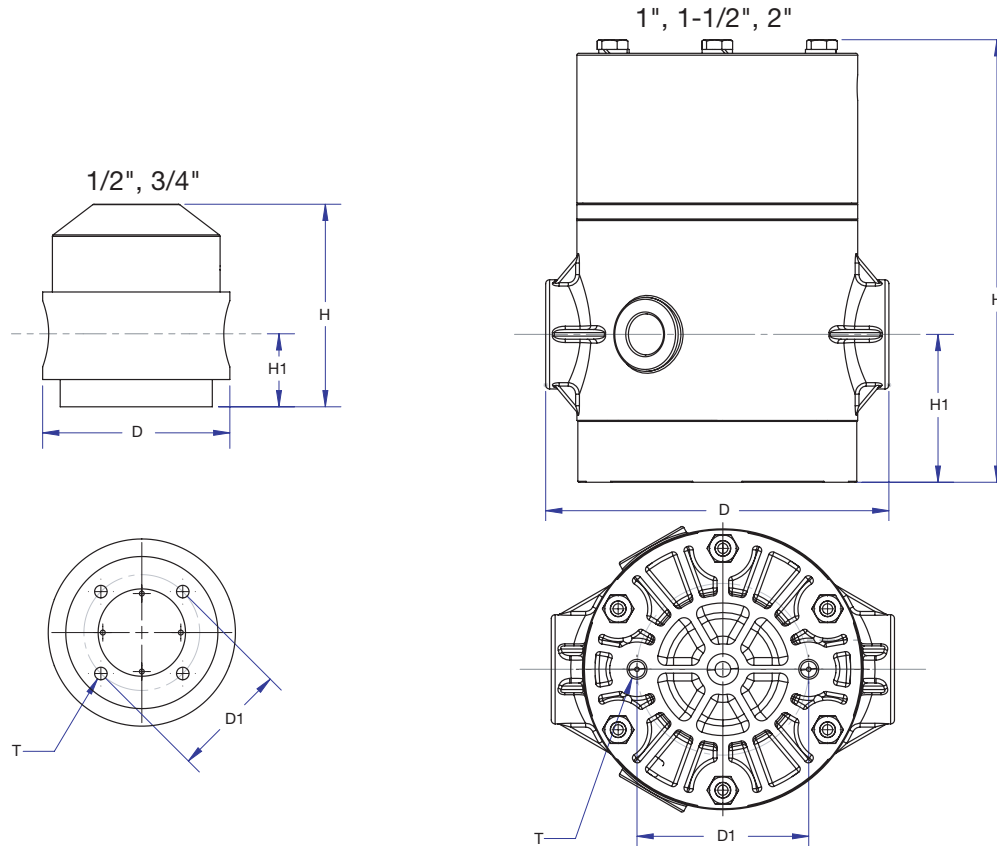
For mounting the valve securely, 1/4-20 tapped holes are provided in the base of the body.

There are no exposed metal screws or other hardware on the exterior of the 1/2" valve which allows for mounting in a sump. Optional coated springs and fasteners available; consult factory.

Standard valves are built for pressure service. If vacuum is desired it must be stated on order.



BALANCED AIR OPERATED SHUT-OFF VALVES SERIES BSR/BSRM 1/2" - 2" SIZES IN PVC & NATURAL POLYPRO



MODEL	PIPE SIZE	H		H1		D		D1		T
		IN	MM	IN	MM	IN	MM	IN	MM	THREAD SIZE/HOLE SIZE
BSR050	1/2"	3.20	81.3	1.20	30.5	3.00	76.2	1.85	47.0	1/4" - 20
BSR075	3/4"	4.58	116.3	1.54	39.1	3.50	88.9	3.00	76.2	1/4" - 20
BSRM100	1"	7.10	180.3	2.40	61.0	5.50	139.7	2.75	69.9	Ø0.257
BSRM150	1-1/2"	8.90	226.1	3.00	76.2	6.60	167.6	2.75	69.9	Ø0.257
BSRM200	2"	8.90	226.1	3.00	76.2	6.60	167.6	2.75	69.9	Ø0.257

1/2" - 2" BSR(M) VALVE SPECIFICATIONS & ORDERING INFORMATION

NPT or BSP	Cv	Inlet and Outlet		Air Pressure required to fully open	Model Numbers
		Maximum working pressure at given temp.			
		@77°F (25°C)	@140°F (60°C)		
1/2"	2.5	150 PSI/ 10BAR	40 PSI/2.7 BAR	25 PSI/1.7 BAR	BSR050EP-PV (EPDM Seals)
3/4"	5.0	150 PSI/10 BAR	40 PSI/2.7 BAR	25 PSI/1.7 BAR	BSR075EP-PV (EPDM Seals)
1"	10.0	150 PSI/10 BAR	40 PSI/2.7 BAR	50 PSI/3.4 BAR	BSRM100EP-PV (EPDM Seals)
1-1/2"	26.0	150 PSI/10 BAR	40 PSI/2.7 BAR	50 PSI/3.4 BAR	BSRM150EP-PV (EPDM Seals)
2"	28.0	150 PSI/10 BAR	40 PSI/2.7 BAR	50 PSI/3.4 BAR	BSRM200EP-PV (EPDM Seals)

Part numbers shown with PVC body. For natural polypro body, change the suffix -PV to -PP. Part numbers shown with EPDM seals for FKM, change "EP" to "V". Consult factory for chlorine vacuum service. All valves for **vacuum service** must be specified at time of order.