

BALL VALVE VERSION



Shown with optional tridicator (pressure & temperature) gauge.

DIAPHRAGM VALVE VERSION



PROCESS COOLING WATER STICK

RETURN SIDE

STANDARD FEATURES:

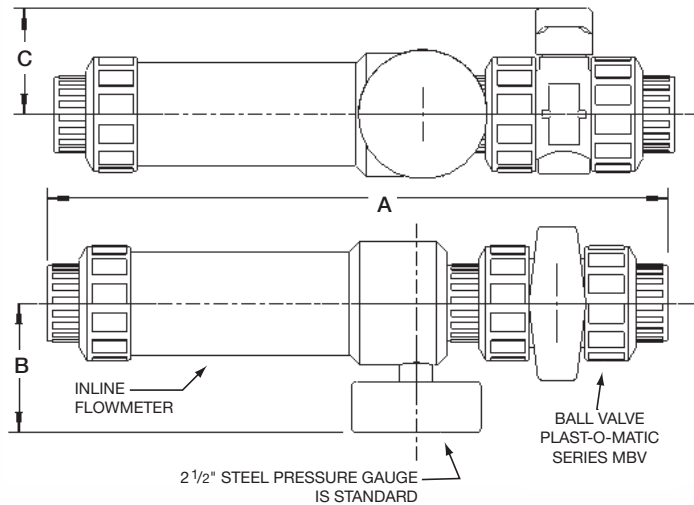
- Choice of diaphragm valve or ball valve, same price.
- No corrosion, no maintenance.
- Choice of true unions or custom end connectors.
- Molded, machined and assembled in USA.
- 100% tested at the factory.
- Lower cost and smaller footprint than individually assembled sticks.
- Easily adapts to any piping configuration

CUSTOM STICKS:

Can be designed and built to any configuration orientation. Valves, gauges, meters and other components can be customized for any application.

Incorporates quarter-turn True Blue trunion ball valve, pressure and temperature gauge, and in-line flow meter with visual indicators in a small footprint stick. Gauge face and flow meter are aligned for quick, at-a-glance reading. Stick is reinforced to minimize possibility of damage. A variety of end connectors and custom valve combinations can

be specified. Wetted metals on gauge (brass) and flow meter (T300 Stainless). Flow meter range must be specified. Ball valve can be actuated (requires 90° change in orientation to gauge & meter). All units built in USA and individually tested.



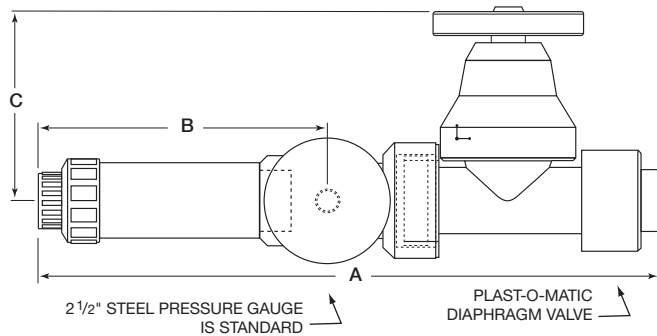
BALL VALVE

DIMENSIONS & MODEL NUMBERS

Pipe Size	Part No. Prefix	A		B		C	
		IN.	MM	IN.	MM	IN.	MM
1/2"	PCWR050B	13 1/8	333	3	76	2	51
3/4"	PCWR075B	13 5/8	347	3 1/4	83	2 1/2	64
1"	PCWR100B	14 1/2	369	3 1/4	83	3	77

Preliminary dimensions, subject to change. 1 1/2" and 2" sizes available, consult factory. Pressure gauge standard; dual pressure and temperature gauge optional.

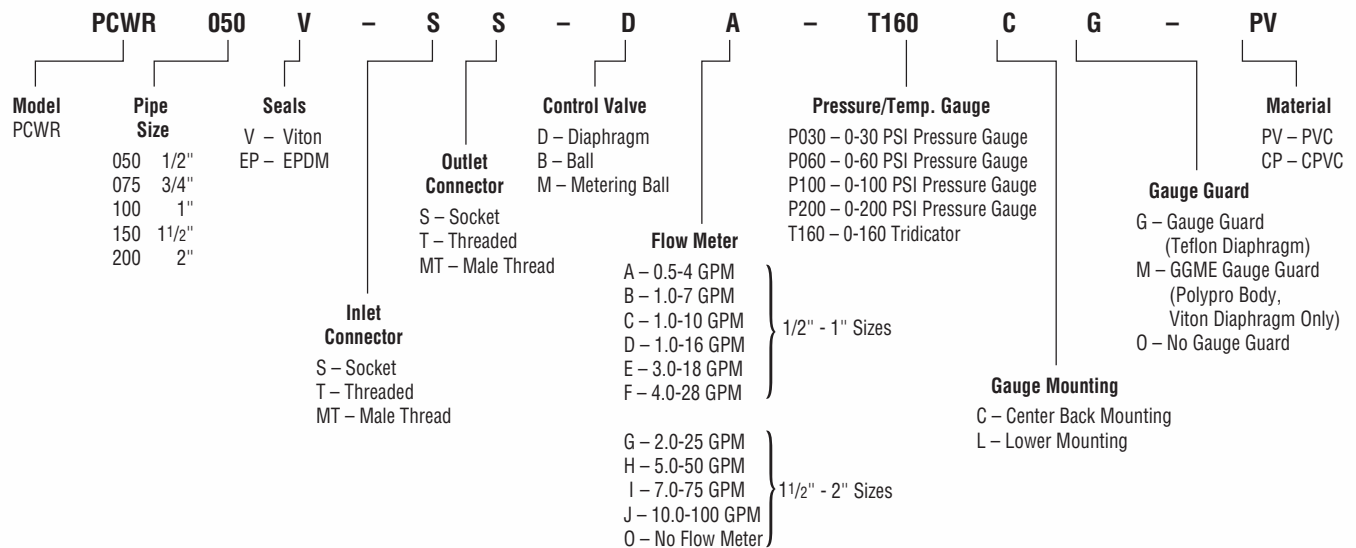
MUST SPECIFY FLOW RANGE FOR PROPER FLOW METER. FOR CUSTOM VALVE AND END CONNECTOR COMBINATIONS, CONSULT FACTORY.



DIAPHRAGM VALVE

DIMENSIONS & MODEL NUMBERS

Pipe Size	Part No. Prefix	A		B		C	
		IN.	MM	IN.	MM	IN.	MM
1/2"	PCWR050D	14 1/8	358	3	76	2	51
3/4"	PCWR075D	14 5/8	372	3 1/4	83	2 1/2	64
1"	PCWR100D	15 1/2	394	3 1/4	83	3	77



Note #1: Standard stick component brands are *True Blue®*: Ball Valves, Pressure Regulators, Pressure Gauges, Tridicators, Gauge Guards. *Basiks®*: Diaphragm Valves, GGME Mini Gauge Guards, Y-Strainers. *Hedland®*: Flow Meters.

Note #2: Cooling sticks are completely customizable with a variety of valves, controls, connection types, sizes, instruments, and other features as required. Consult factory for options and pricing.