

1 YEAR
WARRANTY

Ω OMEGA™ **User's Guide**

***Shop online at
omega.com***

e-mail: info@omega.com

***For latest product manuals:
omega.com/en-us/pdf-manuals***

**FLK2000-Series
Acrylic Variable Area Flow Meters For Air or Water**



omega.com info@omega.com

Servicing North America:

**U.S.A.
Headquarters:**

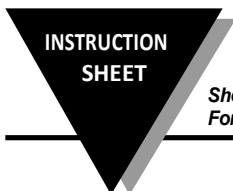
Omega Engineering, Inc.
Toll-Free: 1-800-826-6342 (USA & Canada only)
Customer Service: 1-800-622-2378 (USA & Canada only)
Engineering Service: 1-800-872-9436 (USA & Canada only)
Tel: (203) 359-1660 Fax: (203) 359-7700
e-mail: info@omega.com

For Other Locations Visit omega.com/worldwide



Flow Meters

Series FLK-2201~FLK-2224



Shop online at omega.com e-mail: info@omega.com
For latest product manuals: www.omegamanual.info

INSTALLATION & OPERATION INSTRUCTIONS FLK-2201~FLK-2224

Acrylic block flowmeters are available in various sizes and ranges, with direct reading scales in both SAE and SI units for air and water (see charts on other side). For other gases or liquids, special scales

| SPECIFICATIONS | |
|----------------------|---|
| ACCURACY: | FLK - 2201 to FLK - 2224 ± 4% Full Scale |
| FLOATS: | Black agate or Stainless Steel |
| METER BODY: | Clear Acrylic |
| FITTINGS: | Brass |
| ELASTOMERS: | Silicon O - rings with Brass fittings |
| VALVES: | Brass |
| MOUNTING INSERTS: | 10-32UNF |
| MAXIMUM TEMPERATURE: | 140°F (60°C) |
| MAXIMUM PRESSURE: | 145PSI (1000kpa) |

can be provided. If you use this meter with fluids other than air or water, please consult chemical compatibility data for possible effects on the meter. These meters are manufactured of durable acrylic and if properly installed and maintained, will provide long-term trouble-free operation.

UNPACKING

Precautions have been taken to prevent any damage from occurring during shipment. However, if the meter is received damaged, **report it to the carrier immediately.** Before installing, verify that you have the model and flow range required.

ACHIEVING ACCURATE FLOWRATES

To obtain an accurate flowrate, the float must be read at the position indicated on the meter. If the meter uses a ball float, the flowrate is determined by reading the center of the ball. Additionally, the flowmeter should be installed in a manner, which minimizes both external vibrations and internal flow variations. Special care should be taken so that the connections to the meter's inlet and outlet fittings do not overly restrict the liquid or gas flow being metered. This could result in a reduced flow volume, preventing the meter from

reaching its maximum flowrate. Furthermore, internal pressures could be affected, which can cause inaccurate flow readings. On start-up, slowly purge any fluid trapped in the meter.

INSTALLATION

These meters are supplied with 5/8" or 7/8" hex's on the inlet and outlet fittings. When installing 2-NPT1/8" fittings into the meter, **place the appropriate size wrench on the hex to prevent the inlet/outlet fitting from rotating. Torque only to 60 in-lbs.** Failure to do so will cause the fitting to rotate, and may damage the meter body, causing leaks and/or meter failure. Use pipe thread sealant or Teflon® tape to ease installation and provide a better seal. This meter is supplied with #10-32 threaded inserts for mounting. When installing, use slotted screws and torque to a maximum of 35 in-lbs. Mounting dimensions are shown in Figure I.

CAUTION

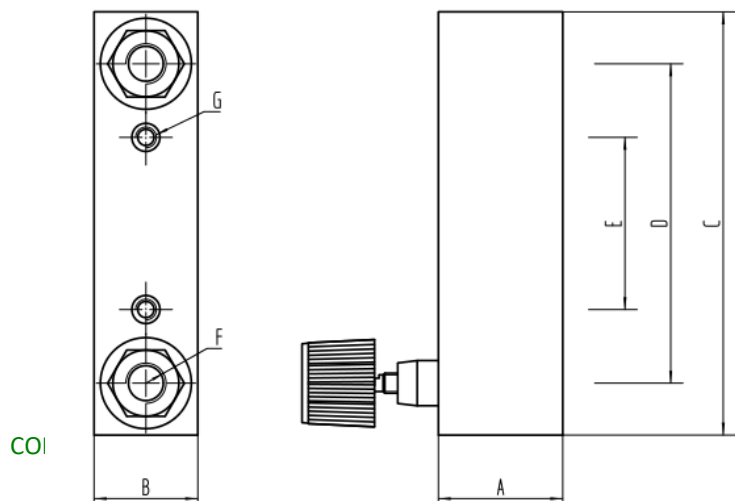
THIS FLOWMETER IS DESIGNED FOR USE WITH NON-HAZARDOUS FLUIDS AT PRESSURES UP TO 145 PSI (1000KPA) AND TEMPERATURES UP TO 140 °f (60 °C). Do NOT USE HAZARDOUS FLUIDS AND DO NOT EXCEED TEMPERATURE OR PRESSURE LIMITS. USE WITH HAZARDOUS FLUIDS OR EXCEEDING THE PRESSURE AND TEMPERATURE LIMITS MAY CAUSE FAILURE WHICH COULD RESULT IN INJURY.

CLEANING AND DISASSEMBLY

Occasional cleaning may be required if dirt appears in the flow tube or if float movement becomes restricted. To clean, remove the top plug (standard back) or the outlet fitting (inline) and remove the rod guide assembly. Wash the tapered hole, float stops and top plug with a mild liquid detergent and soft brush. Rinse all parts with clean water and dry thoroughly with clean air or nitrogen. **Do not use solvents to clean this meter** as they will attack the acrylic and destroy the meter.

RE-ASSEMBLY

Check to make sure that all parts are clean and dry. To lubricate the a-rings, apply a small amount of halocarbon grease prior to reassembly. Replace the float on the rod guide and reinstall the float stops. Reinstall the rod guide assembly into the flowmeter body. Make sure the rod guide is seated firmly in the body of the meter for a Standard Back meter or in the inlet fitting of the Inline meter. (For meters with valves, it will be necessary for the rod guide to pass through the slot in the valve tip.) To allow proper use of the valve, do not tighten the valve tip completely on the valve stem. Reinstall the top plug or the outlet fitting, making sure that the rod guide is properly aligned. If you have any questions regarding the installation, maintenance or use of this flowmeter, please call Omega Customer Service.



| DIMENSIONS | | FLK-2201-FLK-2224 |
|------------|----|-------------------|
| A | IN | 1.18 |
| | mm | 30 |
| B | IN | 0.98 |
| | mm | 25 |
| C | IN | 4.01 |
| | mm | 102 |
| D | IN | 3.03 |
| | mm | 77 |
| E | IN | 1.63 |
| | mm | 41.5 |
| F | IN | 2-NPT1/8" |
| | mm | 2-NPT1/8" |
| G | IN | 10-32UNF |
| | mm | 10-32UNF |

CONTINUED PRODUCT IMPROVEMENT MAY RESULT IN SPECIFICATION REVISIONS

WHEN ORDERING PARTS PLEASE INCLUDE PART DESCRIPTION, ITEM NUMBER AND TYPE OF MATERIAL REQUIRED.

FLK - 2201 to FLK - 2224 FLOW RATES

| RANGE | MODEL | RANGE | MODEL | RANGE | MODEL | RANGE | MODEL |
|----------|----------|---------|---------|------------|----------|-----------|----------|
| SCFH AIR | CODE | LPM Air | CODE | SCCM WATER | CODE | GPH WATER | CODE |
| .2 - 2 | FLK-2201 | .1 - 1 | LK-2211 | 6 - 60 | FLK-2218 | 0.25 - 25 | FLK-2221 |
| .2 - 3 | FLK-2202 | .3 - 3 | LK-2212 | 16 - 160 | FLK-2219 | 0.4 - 4 | FLK-2222 |
| .85- 8.5 | FLK-2203 | .4 - 4 | LK-2213 | 25 - 250 | FLK-2220 | 1.6 - 8 | FLK-2223 |
| 2.5 - 25 | FLK-2205 | 1 - 12 | LK-2214 | | | 1.6 - 16 | FLK-2224 |
| 4- 40 | FLK-2206 | 2 - 20 | LK-2215 | | | | |
| 12 - 50 | FLK-2208 | 4 - 20 | LK-2216 | | | | |
| 25- 200 | FLK-2209 | 10- 100 | LK-2217 | | | | |

WARRANTY/DISCLAIMER

OMEGA ENGINEERING, INC. warrants this unit to be free of defects in materials and workmanship for a period of **13 months** from date of purchase. OMEGA's WARRANTY adds an additional one (1) month grace period to the normal **one (1) year product warranty** to cover handling and shipping time. This ensures that OMEGA's customers receive maximum coverage on each product.

If the unit malfunctions, it must be returned to the factory for evaluation. OMEGA's Customer Service Department will issue an Authorized Return (AR) number immediately upon phone or written request. Upon examination by OMEGA, if the unit is found to be defective, it will be repaired or replaced at no charge. OMEGA's WARRANTY does not apply to defects resulting from any action of the purchaser, including but not limited to mishandling, improper interfacing, operation outside of design limits, improper repair, or unauthorized modification. This WARRANTY is VOID if the unit shows evidence of having been tampered with or shows evidence of having been damaged as a result of excessive corrosion; or current, heat, moisture or vibration; improper specification; misapplication; misuse or other operating conditions outside of OMEGA's control. Components in which wear is not warranted, include but are not limited to contact points, fuses, and triacs.

OMEGA is pleased to offer suggestions on the use of its various products. However, OMEGA neither assumes responsibility for any omissions or errors nor assumes liability for any damages that result from the use of its products in accordance with information provided by OMEGA, either verbal or written. OMEGA warrants only that the parts manufactured by the company will be as specified and free of defects. OMEGA MAKES NO OTHER WARRANTIES OR REPRESENTATIONS OF ANY KIND WHATSOEVER, EXPRESSED OR IMPLIED, EXCEPT THAT OF TITLE, AND ALL IMPLIED WARRANTIES INCLUDING ANY WARRANTY OF MERCHANTABILITY AND FITNESS FOR A PARTICULAR PURPOSE ARE HEREBY DISCLAIMED. LIMITATION OF LIABILITY: The remedies of purchaser set forth herein are exclusive, and the total liability of OMEGA with respect to this order, whether based on contract, warranty, negligence, indemnification, strict liability or otherwise, shall not exceed the purchase price of the component upon which liability is based. In no event shall OMEGA be liable for consequential, incidental or special damages.

CONDITIONS: Equipment sold by OMEGA is not intended to be used, nor shall it be used: (1) as a "Basic Component" under 10 CFR 21 (NRC), used in or with any nuclear installation or activity; or (2) in medical applications or used on humans. Should any Product(s) be used in or with any nuclear installation or activity, medical application, used on humans, or misused in any way, OMEGA assumes no responsibility as set forth in our basic WARRANTY/DISCLAIMER language, and, additionally, purchaser will indemnify OMEGA and hold OMEGA harmless from any liability or damage whatsoever arising out of the use of the Product(s) in such a manner.

RETURN REQUESTS / INQUIRIES

Direct all warranty and repair requests/inquiries to the OMEGA Customer Service Department. BEFORE RETURNING ANY PRODUCT(S) TO OMEGA, PURCHASER MUST OBTAIN AN AUTHORIZED RETURN (AR) NUMBER FROM OMEGA'S CUSTOMER

SERVICE DEPARTMENT (IN ORDER TO AVOID PROCESSING DELAYS). The assigned AR number should then be marked on the outside of the return package and on any correspondence.

The purchaser is responsible for shipping charges, freight, insurance and proper packaging to prevent breakage in transit.

FOR **WARRANTY** RETURNS, please have the following information available BEFORE contacting OMEGA:

1. Purchase Order number under which the product was PURCHASED,
2. Model and serial number of the product under warranty, and
3. Repair instructions and/or specific problems relative to the product.

FOR **NON-WARRANTY** REPAIRS, consult OMEGA for current repair charges. Have the following information available BEFORE contacting OMEGA:

1. Purchase Order number to cover the COST of the repair,
2. Model and serial number of the product, and
3. Repair instructions and/or specific problems relative to the product.

OMEGA's policy is to make running changes, not model changes, whenever an improvement is possible.

This affords our customers the latest in technology and engineering. OMEGA is a trademark of OMEGA ENGINEERING, INC.

© Copyright 2018 OMEGA ENGINEERING, INC. All rights reserved. This document may not be copied, photocopied, reproduced, translated, or reduced to any electronic medium or machine-readable form, in whole or in part, without the

Where Do I Find Everything I Need for Process Measurement and Control? **OMEGA...Of Course!** *Shop online at omega.com*

TEMPERATURE

- ☑ Thermocouple, RTD & Thermistor Probes, Connectors, Panels & Assemblies
- ☑ Wire: Thermocouple, RTD & Thermistor
- ☑ Calibrators & Ice Point References
- ☑ Recorders, Controllers & Process Monitors
- ☑ Infrared Pyrometers

PRESSURE, STRAIN AND FORCE

- ☑ Transducers & Strain Gages
- ☑ Load Cells & Pressure Gages
- ☑ Displacement Transducers
- ☑ Instrumentation & Accessories

FLOW/LEVEL

- ☑ Rotameters, Gas Mass Flowmeters & Flow Computers
- ☑ Air Velocity Indicators
- ☑ Turbine/Paddlewheel Systems
- ☑ Totalizers & Batch Controllers

pH/CONDUCTIVITY

- ☑ pH Electrodes, Testers & Accessories
- ☑ Benchtop/Laboratory Meters
- ☑ Controllers, Calibrators, Simulators & Pumps
- ☑ Industrial pH & Conductivity Equipment

DATA ACQUISITION

- ☑ Communications-Based Acquisition Systems
- ☑ Data Logging Systems
- ☑ Wireless Sensors, Transmitters, & Receivers
- ☑ Signal Conditioners
- ☑ Data Acquisition Software

HEATERS

- ☑ Heating Cable
- ☑ Cartridge & Strip Heaters
- ☑ Immersion & Band Heaters
- ☑ Flexible Heaters
- ☑ Laboratory Heaters

ENVIRONMENTAL MONITORING AND CONTROL

- ☑ Metering & Control Instrumentation
- ☑ Refractometers
- ☑ Pumps & Tubing
- ☑ Air, Soil & Water Monitors
- ☑ Industrial Water & Wastewater Treatment
- ☑ pH, Conductivity & Dissolved Oxygen Instruments

